

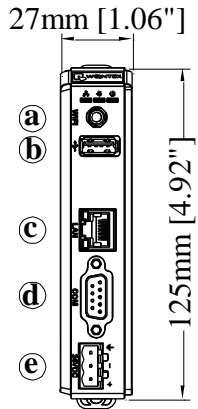


Feature

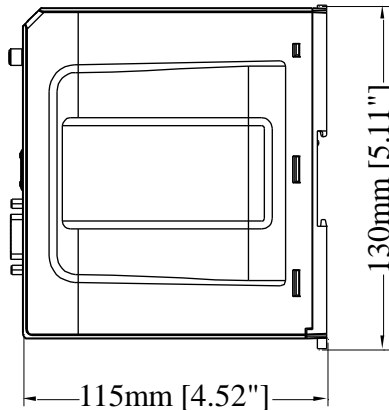
- Supports Display on cMT Viewer clients
- Compact Design and DIN-rail Mountable
- Fan-less Cooling System
- Built-in 256 MB Flash Memory
- SD Card Slot for Expansion of Storage
- One USB Host Port
- One Gigabit Ethernet Ports
- Supports E-mail
- Supports MPI 187.5K
- Built-in Power Isolator
- WiFi compatible with 802.11 b/g/n
- cMT-SVR-202: Built-in EasyAccess 2.0 License
- Wide input voltage range: 10.5~28VDC

Memory	Flash	256 MB
	RAM	256 MB
Processor		32-bit RISC 600MHz
I/O Port	SD Card Slot	SD/SDHC
	USB Host	USB 2.0 x 1
	USB Client	N/A
	Ethernet	10/100/1000 Base-T x 1
	WiFi	IEEE 802.11 b/g/n 802.11b: max 18.01 dBm 802.11g: max 11.02 dBm 802.11n: max 12.20 dBm
	COM Port	COM1: RS-232 2W COM2: RS-485 2W/4W COM3: RS-485 2W
RTC		Built-in
Power	Input Power	10.5~28VDC
	Power Isolation	Built In
	Power Consumption	1000mA@12VDC ; 450mA@24VDC
	Voltage Resistance	500VAC (1 min)
	Isolation Resistance	Exceed 50MΩ at 500VDC
	Vibration Endurance	10 to 25Hz (X, Y, Z direction 2G 30 minutes)
Specification	PCB Coating	Yes
	Enclosure	Plastic
	Dimensions WxHxD	27 x 130 x 115 mm
	Weight	Approx. 0.18 kg
	Mount	35 mm DIN rail mounting
Environment	Protection Structure	IP20
	Storage Temperature	-20° ~ 70°C (-4° ~ 158°F)
	Operating Temperature	-10° ~ 55°C (14° ~ 131°F)
	Relative Humidity	10% ~ 90% (non-condensing)
Certificate	CE	CE marked
	UL	cULus Listed
Software	EasyBuilder Pro	V6.02.02 or later versions
	Weincloud	cMT-SVR-200: EasyAccess 2.0 (Optional) cMT-SVR-202: EasyAccess 2.0 (Built-in)

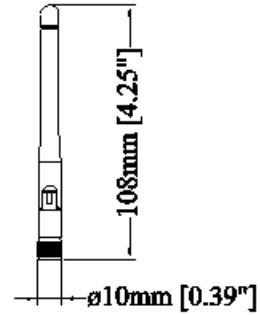
Dimensions



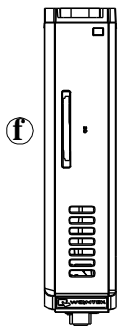
Front View



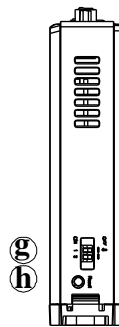
Side View



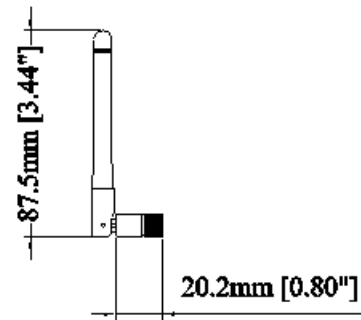
Antenna



Top View



Bottom View



Pin Assignment:
COM1 RS232 2W
COM2 RS485 2W/4W
COM3 RS485 2W
9 Pin, Male, D-sub

PIN#	COM1 [RS-232] 2W	COM2 [RS-485]		COM3 [RS-485] 2W
		2W	4W	
1				Data+
2	RxD			
3	TxD			
4				Data-
5	GND			
6		Data+	Rx+	
7		Data-	Rx-	
8			Tx+	
9			Tx-	

a.	WiFi
b.	USB Host Port
c.	Ethernet Port
d.	COM1: RS-232 2W, COM2: RS-485 2W/4W, COM3: RS-485 2W
e.	Power Connector
f.	SD Card Slot
g.	DIP Switch
h.	Reset Button

Ordering Information

cMT-SVR-200:

256 MB flash memory
256 MB RAM on board
10/100/1000M Ethernet port x 1
Antenna 2dBi, RP-SMA Plug connector
Optional: RZACEA020 EasyAccess 2.0
Activation Card

cMT-SVR-202:

256 MB flash memory
256 MB RAM on board
10/100/1000M Ethernet port x 1
Antenna 2dBi, RP-SMA Plug connector
Built-in EasyAccess 2.0 license