



www.axiomtek.com






2023



Embedded Automation Computers

Table of Contents

Embedded Automation Computers

1 Embedded Systems




| | | |
|--|--|----|
| Selection Guide | | 12 |
| eBOX800-841-FL | Rugged IP67-rated Fanless Embedded System with Intel Atom® Processor E3845 1.91 GHz, VGA, 2 GbE LAN, 2 USB, 2 COM, and 9 to 36 VDC | 22 |
| eBOX800-511-FL | Rugged IP67-rated Fanless Embedded System with Intel® Core™ i5-7300U /Celeron® 3965U, VGA, GbE LAN, 2 USB, 2 COM, and 9 to 36 VDC | 25 |
|  eBOX710A | Fanless Embedded System with LGA1200 Socket 11th/10th Gen Intel® Core™ i9/i7/i5/i3 or Celeron® Processor, Intel® H420E, HDMI, DisplayPort, 6 USB, 4 LAN, PCIe x4 slot, and 9 to 48 VDC | 28 |
| eBOX710-521-FL | Fanless Embedded System with LGA1151 Intel® Xeon®, 9th/8th Gen Intel® Core™ i7/i5/i3/Celeron® Processor, Intel® C246, ECC/Non-ECC, and 1 PCIe x4 Expansion Slot | 31 |
| eBOX700-891-FL | Fanless Embedded System with LGA1151 Socket 6th/7th Gen Intel® Core™ i7/i5/i3 & Celeron® Processor, Intel® H110, 2 HDMI, 1 DisplayPort, 4 GbE LAN, 6 USB, PCIe x4/PCI Slot, and 9 to 36 VDC | 34 |
|  eBOX671B | Fanless Embedded System with LGA1700 Socket 12th Gen Intel® Core™ i9/i7/i5/i3/Celeron® Processor, Intel® R680E, 2 HDMI, 1 DisplayPort, 6 USB, 4 LANs, MXM 3.1 Type A, and 9 to 36 VDC | 37 |
|  eBOX671A | Fanless Embedded System with LGA1200 Socket 10th Gen Intel® Xeon®/Core™ i9/i7/i5/i3 or Celeron® Processor, Intel® W480E, 2 HDMI, DisplayPort, 6 USB, 4 LAN, and 9 to 48 VDC | 40 |
| eBOX671-521-FL | Fanless Embedded System with LGA1151 9th/8th Gen Intel® Core™ i7/i5/i3 & Celeron® Processor, 4-CH PoE and Optional MXM Graphics Module Supported | 43 |
| eBOX671-517-FL | Fanless Embedded System with LGA1151 Socket 7th/6th Gen Intel® Core™ i7/i5/i3 & Celeron® Processor, Intel® Q170, VGA/DVI-D/HDMI, 8-CH PoE, 6 USB, and 9 to 36 VDC | 46 |
| eBOX670-891-FL | Fanless Embedded System with LGA1151 Socket 6th/7th Gen Intel® Core™ i7/i5/i3 & Celeron® Processor, Intel® Q170, 2 HDMI, 1 DisplayPort, 4 GbE LAN, 8 USB, Dual PCI Express Mini Card Slots, and Wide Range DC-in | 49 |
|  eBOX640A | Fanless Embedded System with LGA1700 Alder Lake-S with Core™ i7/i5/i3/ Celeron® processor with H410 PCH , 4 USB, 4 COM, and 8CH DIO | 52 |
| eBOX640-521-FL | Fanless Embedded System with LGA1151 Socket 8th Gen Intel® Core™ & Celeron® Processor, Intel® H310, HDMI, DisplayPort, 6 USB, 2 COM, and 8-CH DI/DO | 55 |
| eBOX640-500-FL | Fanless Embedded System with LGA1151 Socket 6th/7th Gen Intel® Core™ & Celeron® Processor, Intel® H110, 1 HDMI, DisplayPort, VGA, 6 USB, 4 COM, PCI Express Mini Card Slot, and 10 to 30 VDC | 58 |

| | | | |
|---|----------------|--|-----|
|  | eBOX630A | Fanless Embedded System with 11th Gen Intel® Core™ i7/i5/i3 or Celeron® Processor, 2 HDMI, 1 DisplayPort, 3 LANs, 6 USB, 4 COM, and 9 to 48 VDC | 61 |
| | eBOX630-528-FL | Fanless Embedded System with Intel® Core™ i7/i5/i3 & Celeron® ULT Processor, 2 HDMI, 1 VGA, 3 GbE LAN, 6 USB, Dual PCI Express Mini Card Slots, and 9 to 36 VDC | 64 |
| | eBOX627-312-FL | Fanless Embedded System Intel® Celeron® N3350 2.4 GHz/Pentium® N4200 2.5 GHz, HDMI, 2 GbE LAN, 6 USB, 4 COM, and 9 to 36 VDC | 67 |
|  | eBOX626A | Fanless Embedded System with Intel® Elkhart Lake J6412 2.0 GHz, HDMI/VGA, 6 USB, 2 LAN, 3 COM, and 9 to 36 VDC | 70 |
| | eBOX626-853-FL | Fanless Embedded System with Intel® Celeron® N3160 2.24 GHz, VGA/HDMI, 4 COM, 2 GbE LAN, 4 USB, 2 PCI Express Mini Card Slots, and 9 to 36 VDC | 73 |
| | eBOX626-311-FL | Fanless Embedded System with Intel Atom® x5-E3940 1.8 GHz, HDMI, VGA, 2 GbE LAN, 6 USB, and 3 COM | 76 |
| | eBOX625-853-FL | Fanless Embedded System with Intel® Celeron® N3160 2.24 GHz, VGA/HDMI, 4 COM, 2 GbE LAN, 4 USB, and 2 PCI Express Mini Card Slots | 79 |
| | eBOX625-312-FL | Fanless Embedded System with Intel® Celeron® N3350 2.4 GHz/Pentium® N4200 2.5 GHz, HDMI, VGA, 2 GbE LAN, 6 USB, and 3 COM | 82 |
| | eBOX565-52R-FL | Fanless Embedded System with Intel® Core™ i5-8365UE/Celeron® 4305UE Processor, HDMI/DisplayPort++, 2 GbE LAN, 2 COM, 4 USB, and 9-36VDC Power Input | 85 |
| | eBOX565-500-FL | Fanless Embedded System with Intel® Core™ i5-6300U 2.4 GHz/i3-6100U 2.3 GHz/Celeron® 3955U 2.0 GHz, 2 HDMI, 2 GbE LAN, 4 USB 3.0, 2 COM, and 9 to 36 VDC | 88 |
| | eBOX560-52R-FL | Fanless Embedded System with Intel® Core™ i5-8365UE 1.6 GHz/Celeron® 4305UE 2.0 GHz, HDMI/DisplayPort, 2 GbE LAN, 2 COM, 4 USB, and 12VDC Power Input | 91 |
| | eBOX560-512-FL | Fanless Embedded System with Intel® Core™ i5-7300U 3.5 GHz/Celeron® 3965U 2.2 GHz, 2 HDMI, 2 GbE LAN, 4 USB 3.0, and PCI Express Mini Card Slot | 94 |
| | eBOX560-500-FL | Fanless Embedded System with Intel® Core™ i7-6600U 3.4 GHz/i5-6300U 3 GHz/i3-6100U 2.3 GHz/Celeron® 3955U 2.0 GHz, 2 HDMI, 2 GbE LAN, 4 USB 3.0, 2 COM, and PCI Express Mini Card Slot | 97 |
| | eBOX100-51R-FL | Fanless Ultra Compact Embedded System with Intel® Core™ i5-7300U & Intel® Celeron® 3965U Processors, DisplayPort++, 2 COM, 4 USB, and 2 GbE LAN | 100 |
| | eBOX100-312-FL | Fanless Embedded System with Intel® Celeron® N3350 2.4 GHz/Pentium® N4200 2.5 GHz, 2 HDMI, 2 GbE LAN, and 6 USB | 103 |

2 DIN-rail Embedded Systems

| | |
|-----------------|-----|
| Selection Guide | 107 |
|-----------------|-----|


x86-based Series

| | | | |
|---|------------------------|---|-----|
|  | ICO520 | DIN-rail Fanless Embedded System with Intel® Core™ i7/i5/i3/Celeron® Processor, 4 LAN, 1 HDMI, 1 DisplayPort Isolated COM and DIO | 111 |
| | ICO500-518 | Robust DIN-rail Fanless Embedded System with 7th Gen Intel® Core™ i7/i5/i3 & Celeron® Processor and Dual Modular I/O Expansion Design | 113 |
|  | ICO330 | DIN-rail Fanless Embedded System with Intel Atom® x6212RE or x6414RE Processor, 3 LAN, Isolated COM and DIO | 116 |
| | ICO300-83M (ATEX/C1D2) | Robust DIN-rail Fanless Embedded System with Intel® Atom® Processor x5-E3930/x5-E3940, Isolated COM, LAN and DIO with ATEX/C1D2 Certification | 118 |
| | ICO300-83B | Robust DIN-rail Fanless Embedded System with Intel® Celeron® Processor N3350/Pentium® Processor N4200, Isolated COM, LAN and DIO | 120 |
|  | ICO120-E3350 | DIN-rail Fanless Embedded System with Intel® Celeron® Processor N3350, COM/CAN/DIO, 2 LAN, and 2 USB | 123 |

RISC-based DIN-rail Embedded Systems

| | | |
|----------------|--|-----|
| rBOX630 | Robust RISC-based DIN-rail Fanless Embedded System with i.MX 6 Processor 4 COM, 2 CAN Bus and DIO | 125 |
| IFB122 | Robust RISC-based DIN-rail Fanless Embedded System with i.MX 6UL Processor, 2 COM, 2 LAN and DIO (2-in/1-out) | 128 |
| Agent200-FL-DC | Robust RISC-based DIN-rail Fanless Embedded System with i.MX 6UL Processor, 1 COM, 1 LAN and DIO (4-in/4-out), CANbus | 131 |




DIN-Rail Cybersecurity Gateways

| | | |
|--|--|-----|
|  iNA200 | DIN-rail Cybersecurity Gateway with Intel Atom® x6212RE/x6414RE Processor and up to 6 LAN | 133 |
| iNA100 | DIN-Rail Cybersecurity Gateway with Intel Atom® x5-E3930/E3940 Processor and 4 LAN | 135 |


3 Industrial Systems

| | | |
|-----------------|--|-----|
| Selection Guide | | 138 |
|-----------------|--|-----|

Industrial Systems



| | | |
|---|--|-----|
| IPC972 | Industrial System with LGA1200 Socket Intel® Xeon® or 10th Gen Core™ i7/i5/i3 Processor, Intel® W480E, Front-access I/O, and PCIe Slots | 141 |
| IPC970 | Industrial System with LGA1200 Socket 10th Gen Intel® Xeon® or Core™ i7/i5/i3 Processor, Intel® W480E, Front-access I/O, and PCIe Slots | 144 |
|  IPC964A | 4-slot Industrial System with LGA1700 Socket 12th Gen Intel® Core™ i7/i5/i3 or Celeron® Processor, Intel® Q670E, Front-access I/O, PCIe and PCI Slots | 147 |
|  IPC962A | 2-slot Industrial System with LGA1700 Socket 12th Gen Intel® Core™ i7/i5/i3 or Celeron® Processor, Intel® H610E/Q670E, Front-access I/O, PCIe and PCI Slots | 149 |
|  IPC960A | Fanless Industrial System with LGA1700 Socket 12th Gen Intel® Core™ i7/i5/i3 or Celeron® Processor, Intel® H610E/Q670E, and Front-access I/O | 151 |

GPU Workstation

| | | |
|---|--|-----|
| iHPC300 | 4U Rackmount GPU Workstation with 3rd Generation Intel® Xeon® Scalable Processor, Supports Multiple Accelerator Cards | 153 |
|  iHPC100 | Tower GPU Workstation with 12th Gen Intel® Core™ Processor and Multiple Accelerator Cards | 156 |

4 Edge AI Systems

| | | |
|-----------------|--|-----|
| Selection Guide | | 159 |
|-----------------|--|-----|

| | | |
|--|---|-----|
|  AIE900A-AO | Fanless Edge AI System with NVIDIA® Jetson AGX Orin™, 1 HDMI, 2 2.5GbE, 8 PoE, 6 USB, 8-CH DI/DO, and 2 COM/CAN for 5G and Robotics Applications | 164 |
| AIE900-XXN | Fanless Edge AI System with NVIDIA® Jetson Xavier™ NX, 1 HDMI, 1 GbE LAN, 4 GbE PoE, 8-CH DI/DO, and 2 COM/CAN for 5G and AMR Applications | 166 |
| AIE900-902-FL | Fanless Edge AI System with NVIDIA® Jetson AGX Xavier™ SoM, 2 HDMI, 2 GbE LAN, 4 GbE PoE, 6 USB, 2 COM or 2 CAN and 8-CH DI/DO | 169 |
|  AIE800-904-FL-DC | Rugged IP67-rated Fanless Edge AI System with NVIDIA® Jetson Xavier™ NX, HDMI, 1 GbE PoE, 2 USB, and 9 to 36 VDC | 172 |
| AIE800-904-FL | Rugged IP67-rated Fanless Edge AI System with NVIDIA® Jetson Xavier™ NX, HDMI, 1 GbE PoE, USB, and 100 to 240 VAC | 174 |

| | | |
|---|---|-----|
| AIE500-901-FL | Fanless Edge AI System with NVIDIA® Jetson™ TX2 Series, HDMI, 2 GbE LAN, 2 USB, 2 COM or 2 CAN, and 12 or 24 VDC | 176 |
|  AIE110-XNX | Edge AI Developer Kit with NVIDIA® Jetson Xavier™ NX SoM, 1 HDMI, 1 GbE LAN, 1 GbE PoE, and 2 USB | 179 |
|  AIE100A-ONX | Fanless Edge AI System with NVIDIA® Jetson Orin™ NX SoM, 1 HDMI, 1 GbE LAN, 1 GbE PoE, and 2 USB, Remote Management Service Empowered by Allxon | 182 |
| AIE100-T2NX | Fanless Edge AI System with NVIDIA® Jetson™ TX2 NX SoM, 1 HDMI, 1 GbE LAN, 1 GbE PoE, and 2 USB, Remote Management Service Empowered by Allxon | 185 |
| AIE100-903-FL-NX | Fanless Edge AI System with NVIDIA® Jetson Xavier™ NX SoM, 1 HDMI, 1 GbE LAN, 1 GbE PoE, and 2 USB, Remote Management Service Empowered by Allxon | 188 |
| AIE100-903-FL | Fanless Edge AI System with NVIDIA® Jetson Nano™ SoM, 1 HDMI, 1 GbE LAN, 1 GbE PoE, and 2 USB | 191 |
|  RSC201 | Fanless Edge AI Computer Vision System with Xilinx® Kria™ K26 SoM, GbE LAN, CANbus, PMOD, COM, USB 3.0, DisplayPort, and 5G wireless Connection | 193 |
|  RSC101 | Fanless Edge AI Computer Vision System with Hailo-8™ Processor, HDMI, GbE LAN, USB 3.2, DIO, and Wi-Fi/Bluetooth/5G/LTE Wireless Connection | 195 |
|  RSC100 | Fanless Edge AI Computer Vision System with Hailo-8™ Processor, HDMI, GbE LAN, COM, DIO, CANbus, and Wi-Fi/Bluetooth/5G/LTE Wireless Connection | 197 |

5 Machine Vision Systems

| | | |
|-----------------|--|-----|
| Selection Guide | | 201 |
| MVS900-511-FL | Fanless Vision System with LGA1151 Socket 7th/6th Gen Intel® Core™ i7/i5/i3 & Celeron® Processor, Intel® H110 with Vision I/O, 4-CH PoE, and 4-CH LED Output | 205 |
| MVS100-323-FL | Mini Vision System with Intel® Atom® x5-E3940 Processor, Vision I/O, 2-CH PoE, and 2-CH LED Output | 202 |

6 Industrial Chassis & Embedded MicroBoxes

| | | |
|-----------------------------|--|-----|
| Selection Guide | | 209 |
| Embedded Micro Boxes | | |
| ECM300 | Embedded Chassis with 2 Expansion Slots for Mini-ITX SBC | 211 |
| ECM100 | Embedded Chassis for Mini-ITX SBC | 213 |
| Industrial Chassis | | |
| AX6156LE | 4U 14-slot Rackmount Chassis | 215 |
| AX61410 | 4U 14-slot Rackmount Chassis | 218 |
| AX61223TM | 2U Rackmount Chassis for ATX/Micro ATX Motherboard | 221 |
| AX61135TM | 1U Cost-effective Rackmount Chassis for ATX Motherboard | 223 |
| AX60810 | Wall Mount Chassis for ATX and Micro-ATX Motherboard | 225 |
| AX60501 | 6-slot ShoeBox Chassis | 227 |



New Product Highlights

Embedded Systems



eBOX710A >>Page 28

Fanless Embedded System with LGA1200 Socket 11th/10th Gen Intel® Core™ i9/i7/i5/i3 or Celeron® Processor, Intel® H420E, HDMI, DisplayPort, 6 USB, 4 LAN, PCIe x4 slot, and 9 to 48 VDC

- 10th/11th gen Intel® Core™ i9/i7/i5/i3 or Celeron® (Comet Lake-S) up to 65W processor
- 4 GbE LAN and 4 COM ports
- Dual 2.5" SATA HDD drive bays
- 2 HDMI and 1 DisplayPort with dual-view supported
- -40°C to +70°C wide operating temperatures
- Wide range power input from 9 to 48 VDC
- 1 PCIe x4 slot for I/O card
- Flexible I/O Window supported via mPCIe modules



eBOX671B >>Page 37

Fanless Embedded System with LGA1700 Socket 12th Gen Intel® Core™ i9/i7/i5/i3/Celeron® Processor, Intel® R680E, 2 HDMI, 1 DisplayPort, 6 USB, 4 LANs, MXM 3.1 Type A, and 9 to 36 VDC

- The latest 12th Gen Intel® Core™ i9/i7/i5/i3/Celeron® with Intel® R680E chipset (Alder Lake S)
- DDR5 SO-DIMM memory support up to 64 GB
- 4 x Intel LAN with optional PoE supported
- Dual 2.5" SATA HDD drive bays with RAID 0 & 1
- Triple view : 2 HDMI & 1 DisplayPort
- -40 °C to +65 °C wide range operation temperature
- Wide range power input from 9 to 36 VDC
- Flexible I/O Window supported via mPCIe modules



eBOX671A >>Page 40

Fanless Embedded System with LGA1200 Socket 10th Gen Intel® Xeon®/Core™ i9/i7/i5/i3 or Celeron® Processor, Intel® W480E, 2 HDMI, DisplayPort, 6 USB, 4 LAN, and 9 to 48 VDC

- LGA1200 10th gen Intel® Xeon®/Core™ i9/i7/i5/i3 or Celeron® with Intel® W480E chipset (Comet Lake-S)
- 4 GbE LAN with optional PoE supported
- Dual 2.5" SATA HDD drive bays with RAID 0 & 1
- 2 HDMI and 1 DisplayPort for triple view
- -40 °C to 70 °C wide range operation temperature
- Wide range power input from 9 to 48 VDC
- Two 10GbE LAN (X550-T2) by request
- Flexible I/O Window supported via mPCIe modules

Embedded Systems



eBOX640A >>Page 52

Fanless Embedded System with LGA1700 12th generation Intel® Core™ i7/i5/i3 or Celeron® processor, Intel® H610, 4 COM, 2 LANs, 2 HDMI, 4 USB, 8-CH DIO

- LGA1700 Intel® Core™ i7/i5/i3 or Celeron® processor (Alder Lake-S)
- Intel®UHD Graphics 770 by Intel®Xe Architecture with up to 32 graphics
- 4-CH DI and 4-CH DO
- 2 HDMI for Dual Display Outputs



eBOX630A >>Page 61

Fanless Embedded System with 11th Gen Intel® Core™ i7/i5/i3 or Celeron® Processor, 2 HDMI, 1 DisplayPort, 3 LANs, 6 USB, 4 COM, and 9 to 48 VDC

- 11th gen Intel® Core™ i7/i5/i3 or Celeron® Quad-core ULT processor (Tiger Lake UP3)
- Dual-channel DDR4-3200 SO-DIMM for up to 64GB of memory
- Supports 3x 2.5 GbE, 6 USB, 4 COM
- -40°C to +60°C wide operating temperatures
- 9 to 48 VDC wide range DC power input
- Supports triple displays with 2 HDMI, and 1 DisplayPort++
- Intel® Iris® Xe integrated graphics (i7 & i5 SKUs)
- Trusted platform module (TPM 2.0 onboard)



eBOX626A >>Page 70

Fanless Embedded System with Intel® Celeron J6412 2.0 GHz, HDMI, VGA, 6 USB, 2 LAN, 3 COM, and 9 to 36 VDC

- Intel® Celeron® Processor J6412 quad-core onboard
- -10 °C to +60 °C operating temperature
- 1 HDMI and 1 VGA for dual-view display
- Trusted Platform Module (TPM) 2.0 onboard
- M.2 Key E for WiFi/WiFi 6 connection
- 9- 36 VDC Wide range power input

DIN-rail Embedded Systems



IC0520 >>Page 111

DIN-rail Fanless Embedded System with Intel® Core™ i7/i5/i3/Celeron® Processor, 4 LAN, 1 HDMI, 1 DisplayPort Isolated COM and DIO

- High performance with fanless and DIN-rail design
- 12th gen Intel® Core™ i7/i5/i3 or Celeron® processor (Alder Lake-P)
- 4 isolated COM, isolated DIO (8-in/8-out), 4 2.5 GbE LAN
- Wide operating temperature range from -40°C to +70°C
- 9 to 36 VDC, typical 12-24V power input with OVP, UVP, OCP, RPP
- Supports TPM 2.0
- Supports cold boot at -40°C



IC0330 >>Page 116

DIN-rail Fanless Embedded System with Intel Atom® x6212RE or x6414RE Processor, 3 LAN, Isolated COM and DIO

- Cost-effective with fanless design
- Intel Atom® x6212RE or x6414RE processor
- 6 isolated COM, isolated DIO (8-in/8-out), 3 2.5 GbE LAN
- Wide operating temperature range from -40°C to +70°C
- 9 to 36 VDC, typical 12-24V power input with OVP, UVP, OCP, RPP
- Supports TPM 2.0
- Supports cold boot at -40°C

DIN-rail Embedded Systems



IC0120-E3350 >>Page 123

DIN-rail Fanless Embedded System with Intel® Celeron® Processor N3350, COM/CAN/DIO, 2 LAN, 2 USB, HDMI, WT

- Extreme cost-effective with fanless and cableless design
- Intel® Celeron® processor N3350, reliable F1 stepping version CPU
- COM/CAN/DIO, 2 USB, and 2 GbE LAN
- Wide operating temperature range from -40°C to +70°C
- 9 to 36 VDC wide range power input (typical: 12-24 VDC)
- OVP, UVP, OCP, RPP power protection design
- eAPI for intelligent remote monitoring software integration



iNA200 >>Page 133

DIN-Rail Cybersecurity Gateway with Intel Atom® x6212RE/x6414RE Processor and up to 6 LAN

- Intel Atom® x6212RE/x6414RE processor (Elkhart Lake)
- DDR4-3200 SO-DIMM, up to 32GB
- 2 GbE LAN, 2 2.5GbE LAN, and 2 SFP
- Wide operating temperature from -40°C to +70°C
- Wide power input of 9 to 36V DC with dual power input
- Supports 5G with M.2 Key B 3042/3052
- Supports TPM 2.0
- Ideal for OT field site cybersecurity and secured edge

Industrial Systems



IPC964A >>Page 147

4-slot Industrial System with LGA1700 Socket 12th Gen Intel® Core™ i7/i5/i3 or Celeron® Processor, Intel® Q670E, Front-access I/O, PCIe, and PCI Slots

- LGA1700 socket 12th gen Intel® Core™ processor, up to 65W
- Offers up to 200W power for accelerator card
- M.2 Key B socket for 5G wireless connection (optional)
- Supports RAID 0,1
- Supports ignition control
- Supports TPM 2.0
- Supports Intel® AMT and Intel® RST



IPC962A >>Page 149

2-slot Industrial System with LGA1700 Socket 12th Gen Intel® Core™ i7/i5/i3 or Celeron® Processor, Intel® H610E/Q670E, Front-access I/O, PCIe, and PCI Slots

- LGA1700 socket 12th gen Intel® Core™ processor, up to 65W
- Offers up to 200W power for accelerator card
- Supports NVIDIA® Tesla A2 GPU Card
- Optional M.2 Key B socket for 5G wireless connection (Intel® Q670E)
- Supports RAID 0,1 (Intel® Q670E)
- Supports ignition control
- Supports TPM 2.0
- Supports Intel® AMT (Intel® Q670E)
- Supports Intel® RST



IPC960A >>Page 151

Fanless Industrial System with LGA1700 Socket 12th Gen Intel® Core™ i7/i5/i3 or Celeron® Processor, Intel® H610E/Q670E, and Front-access I/O

- LGA1700 socket 12th gen Intel® Core™ processor, up to 65W
- Optional M.2 Key B socket for 5G wireless connection (Intel® Q670E)
- Supports RAID 0,1 (Intel® Q670E)
- Supports ignition control
- Supports TPM 2.0
- Supports Intel® AMT (Intel® Q670E)
- Supports Intel® RST

Industrial Systems



iHPC100 >>Page 156

Tower GPU Workstation with 12th Gen Intel® Core™ Processor

- LGA1700 socket 12th gen Intel® Core™ i9/i7/i5/i3, Pentium® or Celeron® processor with Intel® Q670E chipset, up to 125W
- 4 DDR4-3200 R-DIMM unbuffered non-ECC/ECC memory, up to 128GB
- 1 PCIe x16 (Gen4), 4 PCIe x4 (Gen4), and 1 PCI
- Supports M.2 Key M 2280
- Supports TPM 2.0 (optional)

Edge AI Systems



AIE900A-AO >>Page 164

Fanless Edge AI System with NVIDIA® Jetson AGX Orin™, 1 HDMI, 2 2.5GbE, 8 PoE, 6 USB, 8-CH DI/DO, and 2 COM/CAN for 5G and Robotics Applications

- NVIDIA® Jetson AGX Orin™, 1792-core NVIDIA Ampere™ GPU
- 1 M.2 Key B slot for 5G/LTE, 1 M.2 Key E slot for Wi-Fi 6(E)
- 24 VDC with ignition power control
- Supports eight PoE for IP cameras and LiDAR connectivity
- -30°C to +50°C operating temperature range
- Supports device management and optional OTA deployment powered by Allxon



AIE800-904-FL-DC >>Page 172

Rugged IP67-rated Fanless Edge AI System with NVIDIA® Jetson Xavier™ NX, HDMI, 1 GbE PoE, 2 USB, and 9 to 36 VDC

- IP67-rated design for outdoor edge AI applications
- NVIDIA® Jetson Xavier™ NX with 384-core NVIDIA Volta™ GPU with 48 Tensor Cores
- High AI computing performance for GPU accelerated processing
- -30°C to +50°C operating temperature range
- 9 to 36 VDC wide range power input
- Features M12 lockable I/Os
- 1 IEEE 802.3af Gigabit PoE (15W)



AIE110-XNX >>Page 179

Edge AI Developer Kit with NVIDIA® Jetson Xavier™ NX SoM, 1 HDMI, 1 GbE LAN, 1 GbE PoE, and 2 USB

- NVIDIA® Jetson Xavier™ NX, 384-core NVIDIA Volta™ GPU
- 1 USB 2.0, 1 USB 3.2 Gen2, 1 GbE
- Supports one 15W GbE PoE for camera
- 1 M.2 M-Key NVMe SSD slot and 1 Micro SD slot for extra storage
- 1 Mini PCIe slot for Wi-Fi / Bluetooth / LTE / GPS
- JetPack supported
- Supports 24/7 secure remote monitoring, control, and OTA deployment empowered by Allxon



AIE100A-ONX >>Page 182

Fanless Edge AI System with NVIDIA® Jetson Orin™ NX SoM, 1 HDMI, 1 GbE LAN, 1 GbE PoE and 2 USB, Remote Management Service Empowered by Allxon

- NVIDIA® Jetson Orin™ NX, 1024-core NVIDIA Ampere GPU
- High AI computing performance for GPU-accelerated processing
- Ideal for edge AI smart city applications
- Supports one 15W GbE PoE for camera
- Wide operating temperature from -30°C to +50°C
- JetPack supported
- Supports 24/7 secure remote monitoring, control, and OTA deployment empowered by Allxon



RSC201 >>Page 193

Fanless Edge AI Computer Vision System with Xilinx® Kria™ K26 SoM , GbE LAN, CANbus, PMOD, COM, USB 3.0, DisplayPort, and 5G wireless Connection

- Xilinx® Kria™ K26 SoM
- Supports GbE LAN for cameras
- Supports 5G wireless connection
- Wide operating temperature from -30°C to +75°C
- Wide voltage input from 12 to 24 VDC
- Supports Linux
- Ideal for edge AI smart city / industrial applications



RSC101 >>Page 195

Fanless Edge AI Computer Vision System with Hailo-8™ Processor, HDMI, GbE LAN, USB 3.2, DIO, and Wi-Fi/Bluetooth/5G/LTE Wireless Connection

- Hailo-8™ AI processor, up to 26 TOPS
- Palm size with high AI computing performance
- Supports dual GbE LAN for cameras
- Supports Wi-Fi/Bluetooth/5G/LTE wireless connection
- Wide operating temperature from -10°C to +70°C
- Wide voltage input from 12 to 24 VDC
- Supports Linux
- Ideal for edge AI smart city applications



RSC100 >>Page 197





Fanless Edge AI Computer Vision System with Hailo-8™ Processor, HDMI, GbE LAN, COM, DIO, CANbus, and Wi-Fi/Bluetooth/5G/LTE Wireless Connection



- Hailo-8™ AI processor, up to 26 TOPS
- Advanced AI performance, ideal for smart city applications
- Dual GbE for GigE cameras and LiDAR connectivity
- Dual COM/Dual CANbus/8-CH DI/DO
- Supports Wi-Fi/Bluetooth/5G/LTE wireless connection
- Wide operating temperature from -20°C to +70°C
- Supports Linux operating system

1

Embedded Systems

Axiomtek offers a full range of expandable, high performance and industry-specific embedded systems (eBOX). The eBOX products are designed to offer great versatility for a wide variety of applications. These feature-rich, industrial-grade embedded systems can be tailored to meet different application requirements. The eBOX offers standard features that include powerful computing capabilities, fanless operation, wide operating temperature ranges, low power consumption, superior reliability, flexible I/O configurations, long product life cycles, and long-term support.

| | | |
|--|--|----|
| Selection Guide | | 12 |
| eBOX800-841-FL | Rugged IP67-rated Fanless Embedded System with Intel Atom® Processor E3845 1.91 GHz, VGA, 2 GbE LAN, 2 USB, 2 COM, and 9 to 36 VDC | 22 |
| eBOX800-511-FL | Rugged IP67-rated Fanless Embedded System with Intel® Core™ i5-7300U /Celeron® 3965U, VGA, GbE LAN, 2 USB, 2 COM, and 9 to 36 VDC | 25 |
|  eBOX710A | Fanless Embedded System with LGA1200 Socket 11th/10th Gen Intel® Core™ i9/i7/i5/i3 or Celeron® Processor, Intel® H420E, HDMI, DisplayPort, 6 USB, 4 LAN, PCIe x4 slot, and 9 to 48 VDC | 28 |
| eBOX710-521-FL | Fanless Embedded System with LGA1151 Intel® Xeon®, 9th/8th Gen Intel® Core™ i7/i5/i3/Celeron® Processor, Intel® C246, ECC/Non-ECC, and 1 PCIe x4 Expansion Slot | 31 |
| eBOX700-891-FL | Fanless Embedded System with LGA1151 Socket 6th/7th Gen Intel® Core™ i7/i5/i3 & Celeron® Processor, Intel® H110, 2 HDMI, 1 DisplayPort, 4 GbE LAN, 6 USB, PCIe x4/PCI Slot, and 9 to 36 VDC | 34 |
|  eBOX671B | Fanless Embedded System with LGA1700 Socket 12th Gen Intel® Core™ i9/i7/i5/i3/Celeron® Processor, Intel® R680E, 2 HDMI, 1 DisplayPort, 6 USB, 4 LANs, MXM 3.1 Type A, and 9 to 36 VDC | 37 |
|  eBOX671A | Fanless Embedded System with LGA1200 Socket 10th Gen Intel® Xeon®/Core™ i9/i7/i5/i3 or Celeron® Processor, Intel® W480E, 2 HDMI, DisplayPort, 6 USB, 4 LAN, and 9 to 48 VDC | 40 |
| eBOX671-521-FL | Fanless Embedded System with LGA1151 9th/8th Gen Intel® Core™ i33 i7/i5/i3 & Celeron® Processor, 4-CH PoE and Optional MXM Graphics Module Supported | 43 |
| eBOX671-517-FL | Fanless Embedded System with LGA1151 Socket 7th/6th Gen Intel® Core™ i7/i5/i3 & Celeron® Processor, Intel® Q170, VGA/DVI-D/HDMI, 8-CH PoE, 6 USB, and 9 to 36 VDC | 46 |
| eBOX670-891-FL | Fanless Embedded System with LGA1151 Socket 6th/7th Gen Intel® Core™ i7/i5/i3 & Celeron® Processor, Intel® Q170, 2 HDMI, 1 DisplayPort, 4 GbE LAN, 8 USB, Dual PCI Express Mini Card Slots, and Wide Range DC-in | 49 |
|  eBOX640A | Fanless Embedded System with LGA1700 Alder Lake-S with Core™ i7/i5/i3/ Celeron® processor with H410 PCH , 4 USB, 4 COM, and 8CH DIO | 52 |

| | | |
|--|--|-----|
| eBOX640-521-FL | Fanless Embedded System with LGA1151 Socket 8th Gen Intel® Core™ & Celeron® Processor, Intel® H310, HDMI, DisplayPort, 6 USB, 2 COM, and 8-CH DI/DO | 55 |
| eBOX640-500-FL | Fanless Embedded System with LGA1151 Socket 6th/7th Gen Intel® Core™ & Celeron® Processor, Intel® H110, 1 HDMI, DisplayPort, VGA, 6 USB, 4 COM, PCI Express Mini Card Slot, and 10 to 30 VDC | 58 |
|  eBOX630A | Fanless Embedded System with 11th Gen Intel® Core™ i7/i5/i3 or Celeron® Processor, 2 HDMI, 1 DisplayPort, 3 LANs, 6 USB, 4 COM, and 9 to 48 VDC | 61 |
| eBOX630-528-FL | Fanless Embedded System with Intel® Core™ i7/i5/i3 & Celeron® ULT Processor, 64 2 HDMI, 1 VGA, 3 GbE LAN, 6 USB, Dual PCI Express Mini Card Slots, and 9 to 36 VDC | 64 |
| eBOX627-312-FL | Fanless Embedded System Intel® Celeron® N3350 2.4 GHz/Pentium® N4200 2.5 GHz, HDMI, 2 GbE LAN, 6 USB, 4 COM, and 9 to 36 VDC | 67 |
|  eBOX626A | Fanless Embedded System with Intel® Elkhart Lake J6412 2.0 GHz, HDMI/VGA, 6 USB, 2 LAN, 3 COM, and 9 to 36 VDC | 70 |
| eBOX626-853-FL | Fanless Embedded System with Intel® Celeron® N3160 2.24 GHz, VGA/HDMI, 4 COM, 2 GbE LAN, 4 USB, 2 PCI Express Mini Card Slots, and 9 to 36 VDC | 73 |
| eBOX626-311-FL | Fanless Embedded System with Intel Atom® x5-E3940 1.8 GHz, HDMI, VGA, 2 GbE LAN, 6 USB, and 3 COM | 76 |
| eBOX625-853-FL | Fanless Embedded System with Intel® Celeron® N3160 2.24 GHz, VGA/HDMI, 4 COM, 2 GbE LAN, 4 USB, and 2 PCI Express Mini Card Slots | 79 |
| eBOX625-312-FL | Fanless Embedded System with Intel® Celeron® N3350 2.4 GHz/Pentium® N4200 2.5 GHz, HDMI, VGA, 2 GbE LAN, 6 USB, and 3 COM | 82 |
| eBOX565-52R-FL | Fanless Embedded System with Intel® Core™ i5-8365UE/Celeron® 4305UE Processor, HDMI/DisplayPort++, 2 GbE LAN, 2 COM, 4 USB, and 9-36VDC Power Input | 85 |
| eBOX565-500-FL | Fanless Embedded System with Intel® Core™ i5-6300U 2.4 GHz/i3-6100U 2.3 GHz/Celeron® 3955U 2.0 GHz, 2 HDMI, 2 GbE LAN, 4 USB 3.0, 2 COM, and 9 to 36 VDC | 88 |
| eBOX560-52R-FL | Fanless Embedded System with Intel® Core™ i5-8365UE 1.6 GHz/Celeron® Celeron® 4305UE 2.0 GHz, HDMI/DisplayPort, 2 GbE LAN, 2 COM, 4 USB, and 12VDC Power Input | 91 |
| eBOX560-512-FL | Fanless Embedded System with Intel® Core™ i5-7300U 3.5 GHz/Celeron® 3965U 2.2 GHz, 2 HDMI, 2 GbE LAN, 4 USB 3.0, and PCI Express Mini Card Slot | 94 |
| eBOX560-500-FL | Fanless Embedded System with Intel® Core™ i7-6600U 3.4 GHz/i5-6300U 3 GHz/i3-6100U 2.3 GHz/Celeron® 3955U 2.0 GHz, 2 HDMI, 2 GbE LAN, 4 USB 3.0, 2 COM, and PCI Express Mini Card Slot | 97 |
| eBOX100-51R-FL | Fanless Ultra Compact Embedded System with Intel® Core™ i5-7300U & Intel® Celeron® 3965U Processors, DisplayPort++, 2 COM, 4 USB, and 2 GbE LAN | 100 |
| eBOX100-312-FL | Fanless Embedded System with Intel® Celeron® N3350 2.4 GHz/Pentium® N4200 2.5 GHz, 2 HDMI, 2 GbE LAN, and 6 USB | 103 |

Embedded Systems

Selection Guide



| Features\Models | eBOX800-841-FL | eBOX800-511-FL |
|------------------------|--|--|
| CPU Level | Intel Atom® E3845 1.91 GHz | Intel® Core™ i5-7300U & Celeron® 3965U |
| System Memory | 1 x 204-pin DDR3L-1066/1333 SO-DIMM, up to 8GB | 1 x 260-pin DDR4-2133 SO-DIMM, up to 16GB |
| Chipset | SoC integrated | SoC integrated |
| Serial | 2 x RS-232/422/485 (M12) | 2 x RS-232/422/485 (M12) |
| Display | 1 x VGA | 1 x VGA (M12) |
| Audio | N/A | N/A |
| Ethernet | 2 x 10/100/1000 Mbps (M12) | 1 x 10/100/1000 Mbps (M12) |
| USB | 2 x USB 2.0 (M12) | 2 x USB 2.0 (M12) |
| Expansion Interface | 1 x Full-size PCI Express Mini Card slot 1 x Half-size PCI Express Mini Card slot (USB + PCIe signal) 1 x SIM slot | 1 x Full-size PCI Express Mini Card slot 1 x Half-size PCI Express Mini Card slot (USB + PCIe signal) |
| Storage | 1 x 2.5" HDD drive bay 1 x CFast™ 1 x mSATA (enabled in BIOS setting) | 1 x 2.5" HDD drive bay 1 x mSATA (enabled in BIOS setting) |
| Watchdog Timer | 255 levels, 1 to 255 sec. | 255 levels, 1 to 255 sec. |
| Power Supply | 9 to 36 VDC (M12) | 9 to 36 VDC (M12) |
| Operating Temperature | -30°C to +60°C (-22°F to +140°F) (with W.T. SSD/DRAM) | -30°C to +60°C (-22°F to +140°F) (with i5-7300U, W.T. SSD/DRAM) |
| Mounting | Wall mount | Wall mount |
| Dimensions (W x D x H) | 210 x 366.83 x 83.8 mm (8.27" x 14.44" x 3.27") | 210 x 366.83 x 83.8 mm (8.27" x 14.44" x 3.27") |
| Weight (net/gross) | 4.31 kg (9.5 lb)/5.1 kg (11.24 lb) | 4.31 kg (9.5 lb)/5.1 kg (11.24 lb) |
| Certifications | CE, FCC Class A, UKCA | CE, FCC Class A, UKCA |
| EOS Support | Win 10 IoT, WE8S, WES7, Linux | Win 10 IoT, Linux |
| Software Support | N/A | AXView |

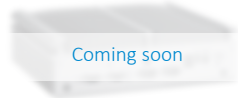


| Features\Models | eBOX710A | eBOX710-521-FL | eBOX700-891-FL |
|------------------------|--|--|--|
| CPU Level | LGA1200 11th/10th gen Intel® Core™ i9/i7/i5/i3 & Celeron® (35W/65W) | LGA1151 Intel® Xeon®, 9th/8th gen Intel® Core™ i7/i5/i3 & Celeron® (35W) | LGA1151 7th/6th gen Intel® Core™ i7/i5/i3 & Celeron® (35W) |
| System Memory | 2 x 260 pin DDR4-2933, up to 64GB | 2 x 260 pin DDR4-2666 SO-DIMM, up to 64GB | 6th gen: 2 x 260-pin DDR4-1866/2133 SO-DIMM, up to 32GB 7th gen: 2 x 260-pin DDR4-2133/2400 SO-DIMM, up to 32GB |
| Chipset | Intel® H420E | Intel® C246 PCH | Intel® H110 |
| Serial | 2 x RS-232 2 x RS-232/422/485 | 2 x RS-232/422/485 | 2 x RS-232/422/485 |
| Display | 2 x HDMI 1.4b (lockable) 1 x DisplayPort 1.2 ++ | 1 x HDMI 1 x DisplayPort 1 x DVI-I | 1 x DisplayPort 2 x HDMI |
| Audio | N/A | N/A | Optional |
| Ethernet | 4 x 10/100/1000 Mbps | 6 x 10/100/1000 Mbps | 4 x 10/100/1000 Mbps |
| USB | 5 x USB 3.2 Gen1 1 x USB 2.0 | 4 x USB 3.1 Gen2 2 x USB 3.1 Gen1 | 2 x USB 2.0 4 x USB 3.0 |
| Expansion Interface | 2 x Full-size PCI-Express Mini Card slot (USB + PCIe + SATA signal) 1 x M.2 Key B 1 x SIM slot 1 x PCIe x4 slot | 2 x Full-size PCI Express Mini Card slot (USB + PCIe signal) 2 x SIM slot 1 x PCIe x4 slot | 2 x Full-size PCI Express Mini Card slot (USB + PCIe signal) 1 x PCIe x4 or 1 x PCI 1 x SIM slot |
| Storage | 2 x 2.5" SATA HDD/SSD 2 x mSATA (enabled in BIOS setting) | 2 x 2.5" HDD drive bay 1 x mSATA (enabled in BIOS setting) | 1 x 2.5" HDD drive bay 1 x mSATA (enabled in BIOS setting) |
| Watchdog Timer | 255 levels, 1 to 255 sec. | 255 levels, 1 to 255 sec. | 255 levels, 1 to 255 sec. |
| Power Supply | 9 to 48 VDC | 24 VDC | 9 to 36 VDC |
| Operating Temperature | -40°C to +70°C (-40°F to +158°F) -40°C to +60°C (-40°F to +158°F) (with W.T. DRAM & SSD) | -40°C to +70°C (-40°F to +158°F) (with W.T. DRAM/SSD) | -40°C to +50°C (-40°F to +122°F) (with W.T. SSD/DRAM) |
| Mounting | Wall mount DIN-rail | Wall mount DIN-rail | Wall mount DIN-rail |
| Dimensions (W x D x H) | 280 x 210 x 80.5 mm (11.02" x 8.26" x 3.16") | 280 x 210 x 80.5 mm (11.02" x 8.26" x 3.16") | 280 x 190 x 76 mm (11.02" x 7.4" x 2.99") |
| Weight (net/gross) | 4.9 kg (10.8 lb)/7 kg (15.43 lb) | 4.8 kg (10.58 lb)/5.6 kg (12.34 lb) | 3.8 kg (8.37 lb)/4.6 kg (10.14 lb) |
| Certifications | CE, FCC Class A, UKCA | CE, FCC Class A, UKCA | CE, FCC Class A, UKCA |
| EOS Support | Win 10 IoT, Win 11 IoT, Linux | Win 10 IoT, Win 11 IoT, Linux | Win 10 IoT, Linux |
| Software Support | AXView | AXView | AXView |

Embedded Systems

Selection Guide

NEW



NEW



| Features\Models | eBOX671B | eBOX671A | eBOX671-521-FL |
|------------------------|--|---|--|
| CPU Level | LGA1700 12th gen Intel® Core™ i9/i7/i5/i3 & Celeron® (35W/65W) | LGA1200 10th gen Intel® Xeon®, Core™ i9/i7/i5/i3 & Celeron® (35W/65W) | LGA1151 9th gen Intel® Core™ i7/i5/i3 & Celeron® (35W) LGA1151 8th gen Intel® Core™ i7/i5/i3 & Celeron® (35W/65W) |
| System Memory | 2 x 262 pin DDR5-4800 SODIMM, up to 64GB | 2 x 260 pin DDR4-2933 SODIMM, up to 64GB | 2 x 260-pin DDR4-2666 SO-DIMM, up to 64GB |
| Chipset | Intel® R680E | Intel® W480E | Intel® Q370 Intel® C246 (optional) |
| Serial | 2 x RS-232/422/485 2 x RS-232 | 2 x RS-232 2 x RS-232/422/485 | 2 x RS-232/422/485 |
| Display | 2 x HDMI 1.4b (1 x lockable) 1 x DisplayPort 1.4a 2 x DisplayPort 1.4a via MXM (optional) | 2 x HDMI 1.4b (lockable) 1 x DisplayPort 1.2 ++ | 1 x DisplayPort 1 x DVI-I 1 x HDMI 2 x DisplayPort via MXM (optional) |
| Audio | N/A | N/A | Optional |
| Ethernet | 1 x 10/100/1000 Mbps 3 x 10/100/1000/2500 Mbps | 4 x 10/100/1000 Mbps | 2 x 10/100/1000 Mbps 4 x 10/100/1000 Mbps PoE, max. up to 60W |
| USB | 2 x USB 3.2 Gen1 4 x USB 3.2 Gen2 | 5 x USB 3.2 Gen2 1 x USB 3.2 Gen1 | 4 x USB 3.1 Gen1 2 x USB 3.1 Gen2 |
| Expansion Interface | 1 x Full-size PCI-Express Mini Card slot (USB 2.0 + PCIe + SIM + mSATA signal) 1 x M.2 Key M socket (2280) 1 x M.2 Key E 1 x M.2 Key B 1 x MXM3.1 type A connector | 2 x Full-size PCI-Express Mini Card slot (USB + PCIe + SATA signal) 1 x M.2 Key B 1 x Internal SIM slot | 2 x Full-size PCI Express Mini Card slot (USB + PCIe signal signal) 2 x SIM slot 1 x MXM3.1 type A connector |
| Storage | 2 x 2.5" HDD drive bay 1 x NVMe by M.2 2280 key M 1 x mSATA (enable in BIOS setting) | 2 x 2.5" HDD drive bay 2 x mSATA (enabled in BIOS setting) | 2 x 2.5" HDD drive bay 1 x mSATA (enabled in BIOS setting) |
| Watchdog Timer | 255 levels, 1 to 255 sec. | 255 levels, 1 to 255 sec | 255 levels, 1 to 255 sec. |
| Power Supply | 9 to 36 VDC with ACC ignition | 9 to 48 VDC | 24 VDC |
| Operating Temperature | -40°C to +65°C (-40°F to +140°F) (with W.T. DRAM & SSD, CPU TDP 35W) -40°C to +55°C (-40°F to +122°F) (with W.T. DRAM & SSD, CPU TDP 65W) | -40°C to +70°C (-40°F to +158°F) -40°C to +60°C (-40°F to +158°F) (with W.T. DRAM & SSD) | -40°C to +60°C (-40°F to +140°F) (with W.T. SSD/DRAM) |
| Mounting | Wall mount DIN-rail | Wall mount DIN-rail | Wall mount DIN-rail |
| Dimensions (W x D x H) | 280 x 210 x 80.5 mm (11.02" x 8.26" x 3.16") | 280 x 210 x 80.5 mm (11.02" x 8.26" x 3.16") | 280 x 210 x 80.5 mm (11.02" x 8.26" x 3.16") |
| Weight (net/gross) | 4.9 kg (10.8 lb)/7 kg (15.43 lb) | 4.9 kg (10.8 lb)/7 kg (15.43 lb) | 4.8 kg (10.58 lb)/5.6 kg (12.34 lb) |
| Certifications | CE, FCC Class A, UKCA | CE, FCC Class A, UKCA | CE, FCC Class A, UKCA |
| EOS Support | Win 10 IoT, Win 11 IoT, Linux | Win 10 IoT, Win 11 IoT, Linux | Win 10 IoT, Win 11 IoT, Linux, |
| Software Support | AXView | AXView | AXView |



| Features\Models | eBOX671-517-FL | eBOX670-891-FL |
|------------------------|---|--|
| CPU Level | LGA1151 7th/6th gen Intel® Core™ i7/i5/i3 & Celeron® (35W/65W) | LGA1151 7th/6th gen Intel® Core™ i7/i5/i3 & Celeron® (35W) |
| System Memory | 2 x 260-pin DDR4-2133 SO-DIMM, up to 32GB | 6th gen: 2 x 260-pin DDR4-1866/2133 SO-DIMM, up to 32GB 7th gen: 2 x 260-pin DDR4-2133/2400 SO-DIMM, up to 32GB |
| Chipset | Intel® Q170 | Intel® Q170 |
| Serial | 2 x RS-232/422/485 | 2 x RS-232/422/485 (onboard) 2 x RS-232/422/485 (via cable on flexible IO window) |
| Display | 1 x VGA 1 x DVI-D 1 x HDMI | 2 x HDMI 1 x DisplayPort |
| Audio | Yes | Yes |
| Ethernet | 8 x 10/100/1000 Mbps PoE, max. up to 120W | 4 x 10/100/1000 Mbps |
| USB | 2 x USB 2.0 4 x USB 3.0 | 2 x USB 2.0 6 x USB 3.0 |
| Expansion Interface | 2 x Full-size PCI Express Mini Card slot (USB + PCIe signal) 1 x Half-size PCI Express Mini Card slot (USB only) 1 x Half-size PCI Express Mini Card slot (USB + mSATA + PCIe signal) 2 x SIM slot | 2 x Full-size PCI Express Mini Card slot (USB + PCIe signal) 1 x SIM slot |
| Storage | 2 x 2.5" HDD drive bay 1 x mSATA (enabled in BIOS setting) | 2 x 2.5" HDD drive bay 1 x CFast™ 1 x mSATA (enabled in BIOS setting) |
| Watchdog Timer | 255 levels, 1 to 255 sec. | 255 levels, 1 to 255 sec. |
| Power Supply | 24 VDC | 9 to 36 VDC |
| Operating Temperature | -40°C to +70°C (-40°F to +158°F) (with W.T. SSD/DRAM) | -40°C to +60°C (-40°F to +140°F) (with W.T. SSD/DRAM) |
| Mounting | Wall mount DIN-rail | Wall mount DIN-rail |
| Dimensions (W x D x H) | 280 x 210 x 79.6 mm (11.02" x 8.26" x 3.13") | 280 x 190 x 76 mm (11.02" x 7.48" x 2.99") |
| Weight (net/gross) | 4.31 kg (9.5 lb)/5.1 kg (11.24 lb) | 3.8 kg (8.37 lb)/4.6 kg (10.14 lb) |
| Certifications | CE, FCC Class A, UKCA | UL62368-1, CE, FCC Class A, UKCA |
| EOS Support | Win 10 IoT, Linux | WE8S, Win 10 IoT, Linux |
| Software Support | AXView | AXView |

Embedded Systems

Selection Guide

NEW



| Features\Models | eBOX640A | eBOX640-521-FL | eBOX640-500-FL |
|------------------------|---|---|--|
| CPU Level | LGA1700 12th gen Intel® Core™ i7/i5/i3 & Pentium® processors (35W) | LGA1151 9th/8th gen Intel® Core™ i7/i5/i3 & Celeron® (35W) | LGA1151 7th/6th gen Intel® Core™ i7/i5/i3 & Celeron® (35W) |
| System Memory | 2 x 260-pin DDR4-3200/2666/2400 SO-DIMM, up to 64GB | 2 x 260-pin DDR4-2400 SO-DIMM, up to 64GB | 2 x 288-pin DDR4-2133 DIMM, up to 32GB |
| Chipset | Intel® H610 | H310 | Intel® H110 |
| Serial | 1 x RS-232/422/485 3 x RS-232 | 1 x RS-232/422/485 1 x RS-232 | 1 x RS-232/422/485 3 x RS-232 |
| Display | 2 x HDMI | 1 x HDMI 1 x DisplayPort | 1 x DisplayPort 1 x HDMI 1 x VGA |
| Audio | Yes | Yes | Yes |
| Ethernet | 1 x 10/100/1000 Mbps 1 x 10/100/1000/2500 Mbps | 2 x 10/100/1000 Mbps | 2 x 10/100/1000 Mbps |
| USB | 2 x USB 3.2 Gen1 2 x USB 2.0 | 4 x USB 2.0 2 x USB 3.0 | 2 x USB 2.0 4 x USB 3.0 |
| Expansion Interface | 1 x M.2 Key B 2242/3042/3052 (SATA & USB 3.2 Gen1) 1 x M.2 Key E 2230 1 x mini-PCIe (PCIe x1 & USB 2.0) 1 x SIM slot for M.2 Key B | 1 x Full-size PCI Express Mini Card slot (PCIe + SATA + USB signal) 1 x M.2 Key E 2230 (for Wi-Fi) | 1 x Full-size PCI Express Mini Card slot (USB + PCIe signal) 1 x SIM slot |
| Storage | 1 x 2.5" HDD drive bay | 2 x 2.5" HDD drive bay | 2 x 2.5" HDD drive bay 1 x mSATA (enabled in BIOS setting) |
| Watchdog Timer | 255 levels, 1 to 255 sec. | 255 levels, 1 to 255 sec. | 255 levels, 1 to 255 sec. |
| Power Supply | 12 VDC or 24 VDC | 19 VDC, 6.32A (12V, 24V DC by optional adapter) | 10 to 30 VDC |
| Operating Temperature | -10°C to +50°C (+14°F to +122°F) (with W.T. SSD/DRAM) | -10°C to +50°C (+14°F to +122°F) (with W.T. SSD/DRAM) | -10°C to +55°C (+14°F to +131°F) (with W.T. SSD/DRAM) |
| Mounting | Wall mount DIN-rail | Wall mount DIN-rail | Wall mount DIN-rail |
| Dimensions (W x D x H) | 195 x 210.6 x 80 mm (7.67" x 8.27" x 3.14") | 195 x 210.6 x 80 mm (7.67" x 8.27" x 3.14") | 182 x 235.7 x 82 mm (7.16" x 9.27" x 3.23") |
| Weight (net/gross) | 3 kg (6.61 lb)/3.6 kg (7.94 lb) | 3 kg (6.61 lb)/3.6 kg (7.94 lb) | 3 kg (6.61 lb)/3.6 kg (7.94 lb) |
| Certifications | CE, FCC Class A, UKCA | CE, FCC Class A, UKCA | CE, UKCA |
| EOS Support | Win 10 IoT, Win 11 IoT, Linux | Win 10 IoT, Linux | Win 10 IoT, WE8S, WES7, Linux |
| Software Support | N/A | N/A | N/A |

NEW



| Features\Models | eBOX630A | eBOX630-528-FL | eBOX627-312-FL |
|---------------------------|---|--|---|
| CPU Level | Intel® Core™ i7-1185G7E/i5-1145G7E/ i3-1115G4E or Celeron® 6305E | Intel® Core™ i7-8665UE/i5-8365UE/ i3-8145UE & Celeron® 4305UE | Intel® Celeron® N3350 2.4 GHz Intel® Pentium® N4200 2.5 GHz |
| System Memory | 2 x 260-pin DDR4-3200 SO-DIMM, up to 64GB | 2 x 260-pin DDR4-2400 SO-DIMM, up to 64GB | 1 x 204-pin DDR3L-1866 SO-DIMM, up to 8GB |
| Chipset | SoC integrated | SoC integrated | SoC integrated |
| Serial | 2 x RS-232/422/485 2 x RS-232 | 2 x RS-232/422/485 2 x RS-232 | 2 x RS-232/422/485 2 x RS-232 |
| Display | 2 x HDMI 1.4b 1 x DisplayPort++ | 2 x HDMI (lockable) 1 x VGA | 1 x HDMI (lockable) |
| Audio | N/A | Yes | N/A |
| Ethernet | 3 x 10/100/1000/2500 Mbps | 3 x 10/100/1000 Mbps | 2 x 10/100/1000 Mbps |
| USB | 4 x USB 3.2 Gen1 | 2 x USB 3.1 Gen2 2 x USB 3.1 Gen1 2 x USB 2.0 | 2 x USB 2.0 4 x USB 3.0 |
| Expansion Interface | 1 x Full-size PCI Express Mini Card (USB + PCIe signal) 1 x M.2 Key E 2230 1 x NVME M.2 2280 Key M | 1 x Full-size PCI Express Mini Card Slot (USB + PCIe signal) 1 x Full-size PCI Express Mini Card Slot (USB + PCIe + SATA signal) | 2 x Full-size PCI Express Mini Card slot (USB + PCIe signal) 1 x SIM slot |
| Storage | 2 x 2.5" swappable HDD drive bay | 2 x 2.5" HDD drive bay 1 x mSATA (enabled in BIOS setting) | 1 x 2.5" HDD drive bay 1 x mSATA (enabled in BIOS setting) |
| Watchdog Timer | 255 levels, 1 to 255 sec. | 255 levels, 1 to 255 sec. | 65536 levels, 1 to 65535 sec. |
| Power Supply | 9 to 48 VDC | 9 to 36 VDC | 9 to 36 VDC |
| Operating Temperature | -40°C to +60°C (-40°F to +140°F) with 0.5 m/s air flow (with W.T. DRAM & SSD) | -40°C to +70°C (-40°F to +158°F) with 0.7 m/s air flow -40°C to +65°C (-40°F to +149°F) with 0.5 m/s air flow (with W.T. SSD/DRAM) | -20°C to +70°C (-4°F to +158°F) (with W.T. SSD/DRAM) |
| Mounting | Wall mount VESA mount DIN-rail | Wall mount VESA mount DIN-rail | Wall mount VESA mount DIN-rail |
| Dimensions (W x D x H) | 250 x 170 x 60 mm (9.84" x 6.69" x 2.36") | 250 x 170 x 60 mm (9.84" x 6.69" x 2.36") | 200 x 120 x 65 mm (7.87" x 4.72" x 2.55") |
| Weight (net/gross) | 2.4 kg (5.29 lb)/3.2 kg (7.0 lb) | 2.2 kg (4.85 lb)/3 kg (6.6 lb) | 1.38 kg (3.04 lb)/2.08 kg (4.59 lb) |
| Certifications | CE, FCC Class A, UKCA | CE, FCC Class A, UKCA | CE, FCC Class A, UKCA |
| EOS Support | Win 10 IoT, Win 11 IoT, Linux | Win 10 IoT, Win 11 IoT, Linux | Win 10 IoT, Linux |
| Software Support | N/A | N/A | AXView |

Embedded Systems

Selection Guide

NEW



| Features\Models | eBOX626A | eBOX626-853-FL | eBOX626-311-FL |
|------------------------|---|--|--|
| CPU Level | Intel® Celeron® processor J6412, 2 GHz | Intel® Celeron® N3160, 2.24 GHz | Intel Atom® Processor x5-E3940, 1.8 GHz |
| System Memory | 1 x 260-pin DDR4-3200 SO-DIMM, up to 32GB | 1 x 204-pin DDR3L-1333/1600 SO-DIMM, up to 8GB | 1 x 204-pin DDR3L-1866 SO-DIMM, up to 8GB |
| Chipset | SoC integrated | SoC integrated | SoC integrated |
| Serial | 1 x RS-232/422/485 2 x RS-232 | 1 x RS-232/422/485 3 x RS-232 | 2 x RS-232/422/485 1 x RS-232 |
| Display | 1 x HDMI 1.4b (lockable) 1 x VGA | 1 x HDMI 1 x VGA | 1 x HDMI (lockable) 1 x VGA |
| Audio | Yes | Yes | Yes |
| Ethernet | 1 x 10/100/1000 Mbps 1 x 10/100/1000/2500 Mbps | 2 x 10/100/1000 Mbps | 2 x 10/100/1000 Mbps |
| USB | 4 x USB 3.1 Gen2 2 x USB 2.0 | 1 x USB 2.0 3 x USB 3.0 | 2 x USB 2.0 4 x USB 3.0 |
| Expansion Interface | 1 x Full size PCI Express Mini Card slot (mSATA/SIM) (USB + PCIE + SATA) 1 x M.2 2230 E Key (PCIE + USB) | 2 x Full-size PCI Express Mini Card slot (USB + PCIe signal) 1 x SIM slot | 2 x Full-size PCI Express Mini Card slot (USB + PCIe signal) 1 x SIM slot |
| Storage | 1 x 2.5" HDD drive bay 1 x mSATA (enabled in BIOS setting) | 1 x 2.5" HDD drive bay 1 x mSATA (enabled in BIOS setting) | 1 x 2.5" HDD drive bay 1 x mSATA (enabled in BIOS setting) |
| Watchdog Timer | 255 levels, 1 to 255 sec. | 255 levels, 1 to 255 sec. | 65536 levels, 1 to 65535 sec. |
| Power Supply | 9 to 36 VDC | 9 to 36 VDC | 9 to 36 VDC |
| Operating Temperature | -10°C to +60°C (+14°F to +140°F) (with W.T. SSD/DRAM) | -20°C to +60°C (-4°F to +140°F) (with W.T. SSD/DRAM) | -40°C to +60°C (-40°F to +140°F) (with W.T. SSD/DRAM) |
| Mounting | Wall mount VESA mount DIN-rail | Wall mount VESA mount DIN-rail | Wall mount VESA mount DIN-rail |
| Dimensions (W x D x H) | 200 x 120 x 46 mm (7.87" x 4.72" x 1.81) | 200 x 120 x 46 mm (7.87" x 4.72" x 1.81") | 200 x 120 x 46 mm (7.87" x 4.72" x 1.81) |
| Weight (net/gross) | 1.2 kg (2.65 lb)/1.6 kg (3.97 lb) | 1.2 kg (2.65 lb)/1.9 kg (4.19 lb) | 1.2 kg (2.65 lb)/1.6 kg (3.53 lb) |
| Certifications | CE, FCC Class A, UKCA | CE, UKCA | CE, FCC Class A, UKCA |
| EOS Support | Win 10 IoT, Linux | WES7, WE8S, Linux | Win 10 IoT, Linux |
| Software Support | AXView | N/A | AXView |



| Features\Models | eBOX625-853-FL | eBOX625-312-FL | eBOX565-52R-FL |
|------------------------|--|--|--|
| CPU Level | Intel® Celeron® N3160 2.24 GHz | Intel® Celeron® N3350 2.4 GHz Intel® Pentium® N4200 2.5 GHz | Intel® Core™ i5-8365UE, 1.6 GHz Intel® Celeron® 4305UE, 2.0 GHz |
| System Memory | 1 x 204-pin DDR3L-1333/1600 SO-DIMM, up to 8GB | 1 x 204-pin DDR3L-1866 SO-DIMM, up to 8GB | 1 x 260-pin DDR4-2400 SO-DIMM, max. up to 32GB |
| Chipset | SoC integrated | SoC integrated | SoC integrated |
| Serial | 1 x RS-232/422/485 3 x RS-232 | 2 x RS-232/422/485 1 x RS-232 | 2 x RS-232/422/485 |
| Display | 1 x VGA 1 x HDMI | 1 x HDMI (lockable) 1 x VGA | 1 x DisplayPort++ 1 x HDMI (lockable) |
| Audio | Yes | Yes | N/A |
| Ethernet | 2 x 10/100/1000 Mbps | 2 x 10/100/1000 Mbps | 2 x 10/100/1000 Mbps |
| USB | 1 x USB 2.0 3 x USB 3.0 | 2 x USB 2.0 4 x USB 3.0 | 2 x USB 2.0 2 x USB 3.1 |
| Expansion Interface | 2 x Full-size PCI Express Mini Card slot (USB + PCIe signal) 1 x SIM slot | 2 x Full-size PCI Express Mini Card slot (USB + PCIe signal) 1 x SIM slot | 1 x M.2 Key E 2230 (for Wi-Fi) |
| Storage | 1 x 2.5" HDD drive bay 1 x mSATA (enabled in BIOS setting) | 1 x 2.5" HDD drive bay 1 x mSATA (enabled in BIOS setting) | 1 x 2.5" HDD drive bay |
| Watchdog Timer | 255 levels, 1 to 255 sec. | 65536 levels, 1 to 65535 sec. | 255 levels, 1 to 255 sec. |
| Power Supply | 12 VDC | 12 VDC | 9- 36 VDC |
| Operating Temperature | -20°C to +60°C (-4°F to +140°F) (with W.T. SSD/DRAM) | -20°C to +60°C (-4°F to +140°F) (with W.T. SSD/DRAM) | -10°C to +50°C (+14°F to +122°F) (with W.T. SSD/DRAM) |
| Mounting | Wall mount VESA mount DIN-rail | Wall mount VESA mount DIN-rail | Wall mount VESA mount DIN-rail |
| Dimensions (W x D x H) | 200 x 120 x 46 mm (7.87" x 4.72" x 1.81") | 200 x 120 x 46 mm (7.87" x 4.72" x 1.81") | 141.6 x 106 x 73 mm (5.57" x 4.17" x 2.87") |
| Weight (net/gross) | 1.2 kg (2.65 lb)/1.9 kg (4.19 lb) | 1.1 kg (2.43 lb)/1.8 kg (3.97 lb) | 1.1 kg (2.43 lb)/1.8 kg (3.96 lb) |
| Certifications | CE, UKCA | CE, FCC Class A, UKCA | CE, FCC Class A, UKCA |
| EOS Support | WES7, WE8S, Win 10 IoT, Linux | Win 10 IoT, Linux | Win 10 IoT, Linux |
| Software Support | N/A | AXView | N/A |

Embedded Systems

Selection Guide



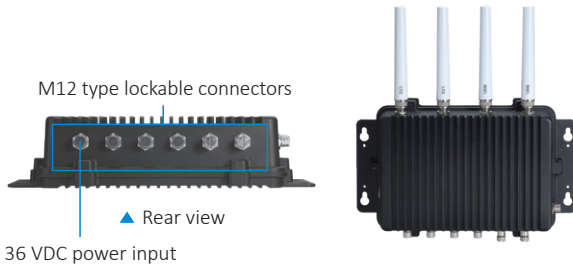
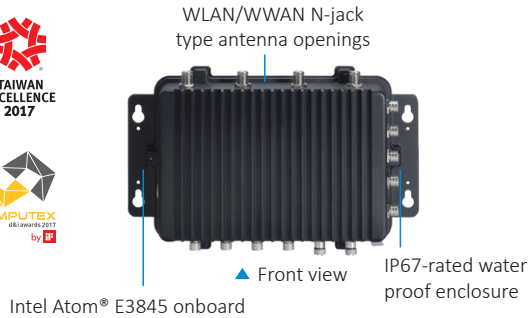
| Features\Models | eBOX560-500-FL | eBOX560-52R-FL | eBOX560-512-FL |
|---------------------------|---|--|--|
| CPU Level | Intel® Core™ i7-6600U 3.4 GHz/ i5-6300U 3.0 GHz/i3-6100U 2.3 GHz & Celeron® 3955U 2.0 GHz | Intel® Core™ i5-8365UE 1.6 GHz Intel® Celeron® 4305UE 2.0 GHz | Intel® Core™ i5-7300U 2.6 GHz/ i3-7100U 2.4 GHz & Celeron® 3965U 2.2 GHz |
| System Memory | 1 x 260-pin DDR4-2133 SO-DIMM, up to 16GB | 1 x 260-pin DDR4-2400 SO-DIMM, up to 32GB | 1 x 260-pin DDR4-2133 SO-DIMM, up to 16GB |
| Chipset | SoC integrated | SoC integrated | SoC integrated |
| Serial | 1 x RS-232/422/485 1 x RS-232 | 2 x RS-232/422/485 | 2 x RS-232/422/485 |
| Display | 2 x HDMI | 1 x HDMI 1 x DisplayPort++ | 2 x HDMI |
| Audio | N/A | N/A | N/A |
| Ethernet | 2 x 10/100/1000 Mbps | 2 x 10/100/1000 Mbps | 2 x 10/100/1000 Mbps |
| USB | 4 x USB 3.0 | 2 x USB 3.1 Gen2 2 x USB 2.0 | 4 x USB 3.0 |
| Expansion Interface | 1 x Full-size PCI Express Mini Card slot (USB + PCIe signal) | 1 x M.2 Key E 2230 (for Wi-Fi) | 1 x Full-size PCI Express Mini Card slot (USB + PCIe signal) |
| Storage | 1 x 2.5" HDD drive bay 1 x mSATA (enabled in BIOS setting) | 1 x 2.5" HDD drive bay | 1 x 2.5" HDD drive bay 1 x mSATA (enabled in BIOS setting) |
| Watchdog Timer | 255 levels, 1 to 255 sec. | 65535 levels, 1 to 65536 sec. | 255 levels, 1 to 255 sec. |
| Power Supply | 12 VDC | 12 VDC | 12 VDC |
| Operating Temperature | -10°C to +55°C (+14°F to +131°F) (with W.T. SSD/DRAM) | -10°C to +50°C (+14°C to +122°C) (with W.T. SSD/DRAM) | -10°C to +50°C (+14°F to +122°F) (with W.T. SSD/DRAM) |
| Mounting | Wall mount VESA mount DIN-rail | Wall mount VESA mount DIN-rail | Wall mount VESA mount DIN-rail |
| Dimensions (W x D x H) | 141.5 x 106 x 55 mm (5.57" x 4.17" x 2.17") | 141.6 x 106 x 56 mm (5.57" x 4.17" x 2.17") | 141.6 x 106 x 54.85 mm (5.57" x 4.17" x 2.15") |
| Weight (net/gross) | 0.8 kg (1.76 lb)/1.67 kg (3.68 lb) | 0.6 kg (1.32 lb)/1.5 kg (3.3 lb) | 0.8 kg (1.76 lb)/1.67 kg (3.68 lb) |
| Certifications | CE, UKCA | CE, FCC Class A, UKCA | CE, FCC Class A, UKCA |
| EOS Support | Win 10 IoT, WE8S, Linux | Win 10 IoT, Linux | Win 10 IoT, Linux |
| Software Support | N/A | AXView | N/A |



| Features\Models | eBOX565-500-FL | eBOX100-51R-FL | eBOX100-312-FL |
|---------------------------|--|--|---|
| CPU Level | Intel® Core™ i5-6300U 2.4 GHz/ i3-6100U 2.3 GHz & Celeron® 3955U 2.0 GHz | Intel® Core™ i5-7300U 2.6 GHz Intel® Celeron® 3965U 2.2 GHz | Intel® Celeron® N3350 2.0 GHz Intel® Pentium® N4200 2.5 GHz |
| System Memory | 1 x 260-pin DDR4-2133 SO-DIMM, up to 16GB | 1 x 260-pin DDR4-2133 SO-DIMM, up to 16G | 1 x 204-pin DDR3L-1600 SO-DIMM, up to 8GB |
| Chipset | SoC integrated | SoC integrated | SoC integrated |
| Serial | 1 x RS-232/422/485 1 x RS-232 | 2 x RS-232/422/485 | 1 x RS-232 |
| Display | 2 x HDMI | 1 x DisplayPort++ | 2 x HDMI |
| Audio | N/A | N/A | N/A |
| Ethernet | 2 x 10/100/1000 Mbps | 2 x 10/100/1000 Mbps | 2 x 10/100/1000 Mbps |
| USB | 4 x USB 3.0 | 2 x USB 3.0 2 x USB 2.0 | 4 x USB 2.0 2 x USB 3.0 |
| Expansion Interface | 1 x Full-size PCI Express Mini Card slot (USB + PCIe signal) | 1 x M.2 Key E 2230 (for Wi-Fi) | 2 x Full-size PCI Express Mini Card slot (USB + PCIe signal) 1 x SIM slot |
| Storage | 1 x 2.5" HDD drive bay 1 x mSATA (enabled in BIOS setting) | 1 x M.2 Key B 2242 (SATA) | 1 x 2.5" HDD drive bay |
| Watchdog Timer | 255 levels, 1 to 255 sec. | 65535 levels, 1 to 65536 sec. | 255 levels, 1 to 255 sec. |
| Power Supply | 9 to 36 VDC | 12 VDC | 12 VDC |
| Operating Temperature | -10°C to +50°C (-4°F to +122°F) (with W.T. SSD/DRAM) | -10°C to +50°C (+14°C to +122°C) (with W.T. SSD/DRAM) | -5°C to +60°C (+23°F to +140°F) (with W.T. SSD/DRAM) |
| Mounting | Wall mount VESA mount DIN-rail | Wall mount VESA mount DIN-rail | Wall mount VESA mount DIN-rail |
| Dimensions (W x D x H) | 141.6 x 106 x 73 mm (5.57" x 4.17" x 2.87") | 142 x 87 x 58 mm (5.59" x 3.42" x 2.28") | 216 x 137.65 x 38 mm (8.5" x 5.41" x 1.49") |
| Weight (net/gross) | 1.074 kg (1.76lb)/1.67 kg (3.68lb) | 0.6 kg (1.32 lb)/1.5 kg (3.3 lb) | 1.15 kg (2.53 lb)/1.5 kg (3.3 lb) |
| Certifications | CE, UKCA | CE, FCC Class A, UKCA | CE, FCC Class A, UKCA |
| EOS Support | Win 10 IoT, WE8S, Linux | Win 10 IoT, Linux | Win 10 IoT, Linux |
| Software Support | N/A | AXView | N/A |

eBOX800-841-FL

Rugged IP67-rated Fanless Embedded System with Intel Atom® Processor E3845, VGA, 2 GbE LAN, 2 USB, 2 COM, and 9 to 36 VDC



Features

- IP67-rating for outdoor use
- Intel Atom® processor E3845 onboard
- 4 N-jack antenna openings with water proof design
- -30°C to +60°C operating temperature range
- 9 to 36 VDC wide range power input
- Features M12 lockable I/Os
- Trusted Platform Module 1.2 (TPM 1.2)



Specifications

| | |
|-----------------------|---|
| Standard Color | Black |
| Construction | Aluminum die-casting and heavy-duty steel, IP67 |
| CPU | Intel Atom® processor E3845 1.91 GHz |
| System Memory | 1 x 204-pin DDR3L-1066/1333 SO-DIMM, up to 8GB |
| Chipset | SoC integrated |
| BIOS | AMI |
| System I/O Outlet | 2 x RS-232/422/485 (M12) 1 x VGA (M12) 2 x 10/100/1000 Mbps Ethernet (Intel® i210-IT, M12) 2 x USB 2.0 (M12) 1 x 9 to 36 VDC power input (M12) 1 x ATX power switch with indicator 4 x N-jack antenna opening with water proof design |
| Watchdog Timer | 255 levels, 1 to 255 sec. |
| Storage | 1 x 2.5" HDD drive bay (max. up 9.5 mm height) 1 x mSATA (enabled in BIOS setting) 1 x CFast™ |
| Expansion Interface | 1 x Full-size PCI Express Mini Card slot (USB + PCI Express signal) 1 x Half-size PCI Express Mini Card slot (USB + PCI Express signal) 1 x SIM slot |
| TPM | TPM 1.2 |
| System Indicator | 1 x Green LED for system power-on |
| Power Input | 9 to 36 VDC |
| Operating Temperature | -30°C to +60°C (-22°F to +140°F) (with E3845, W.T. SSD/DRAM) |
| Humidity | 10% - 95%, non-condensing |
| Vibration Endurance | 3 Grms with SSD (5 to 500Hz, X, Y, Z directions) |

Specifications

| | |
|--------------------|---|
| Dimensions | 210 mm (8.27") x 366.83 mm (14.44") x 83.8 mm (3.27") |
| Weight (net/gross) | 4.31 kg (9.5 lb)/5.1 kg (11.24 lb) |
| Certifications | CE, FCC Class A, UKCA |
| EOS Support | Win 10 IoT, WE8S, WES7, Linux |

* W.T.: Wide Temperature. All W.T. supported products have to be sorted by Axiomtek.

Packing List

- 1 x Water-proof PWR cable (180 cm)
- 1 x Water-proof VGA cable (180 cm)
- 1 x Water-proof USB 2.0 cable (180 cm)

Power Protection

DC Version

- OVP (over voltage protection)
- OCP (over current protection)
- SCP (short circuit protection)

Ordering Information

Standard

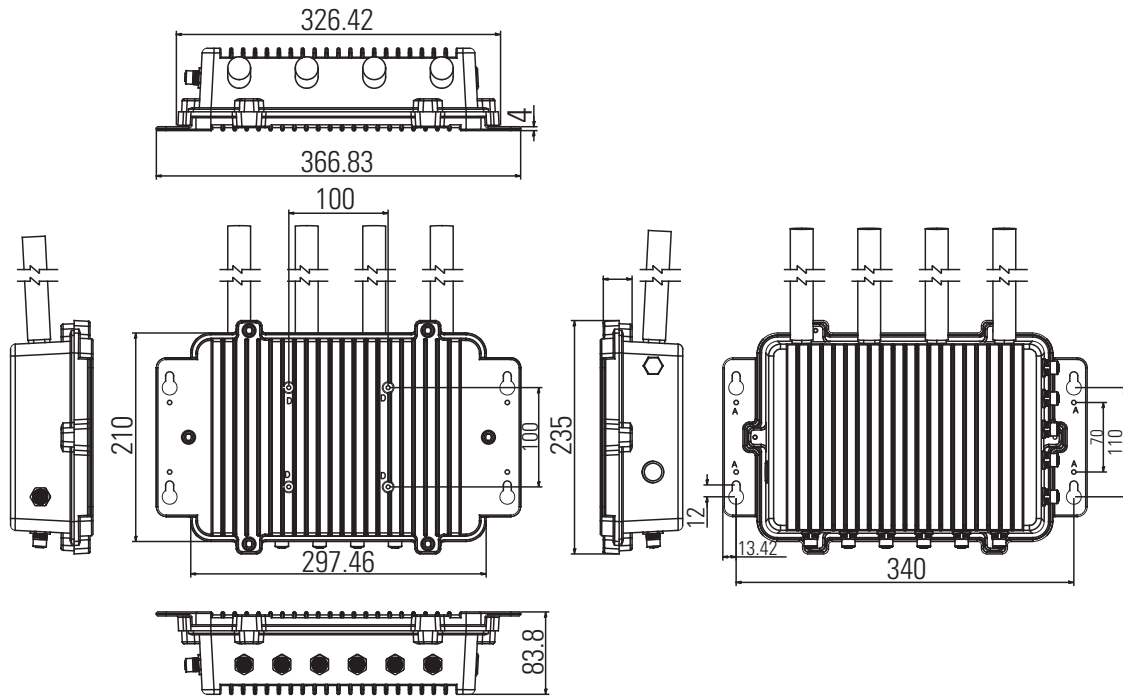
| | |
|--|---|
| eBOX800-841-FL-DC (P/N: E36K800100) | Rugged IP67-rated fanless embedded system with Intel Atom® E3845 1.91 GHz, VGA, 2 GbE LAN, 2 USB, 2 COM and 9 to 36 VDC |
|--|---|

Optional

| | |
|----------------------|-----------------------------|
| 2.5" SATA HDD (W.T.) | 80GB or above |
| 2.5" SATA SSD (W.T.) | 100GB or above |
| DDR3L SO-DIMM (W.T.) | 2GB to 8GB |
| CFast™ | 64GB or above |
| mSATA | 64GB or above |
| | Wi-Fi/LTE module |
| 594B8122100E | RS-232 serial cable, 180 cm |
| 594B8152710E | LAN cable, 180 cm |
| 509000002200 | 24V 90W M12 power adapter |

* Specifications and certifications may vary based on different requirements.

Dimensions



eBOX800-511-FL

Rugged IP67-rated Fanless Embedded System with Intel® Core™ i5-7300U & Celeron® 3965U, VGA, GbE LAN, 2 USB, 2 COM, and 9 to 36 VDC



Features

- IP67-rating for outdoor use
- Intel® Core™ i5-7300U & Celeron® 3965U onboard
- 4 N-jack antenna openings with water proof design
- 9 to 36 VDC wide range power input
- -30°C to +60°C operating temperature range
- Features M12 lockable I/Os
- Trusted Platform Module 1.2 (TPM 1.2)



Specifications

| | |
|-----------------------|---|
| Standard Color | Black |
| Construction | Aluminum die-casting and heavy-duty steel, IP67 |
| CPU | Intel® Core™ i5-7300U/Celeron® 3965U onboard |
| System Memory | 1 x 260-pin DDR4-2133 SO-DIMM, up to 16GB |
| Chipset | SoC integrated |
| BIOS | AMI |
| System I/O Outlet | 2 x RS-232/422/485 (M12) 1 x 10/100/1000 Mbps Ethernet (Intel® i219-LM, M12) 2 x USB 2.0 (M12) 1 x VGA (M12) 1 x 9 to 36VDC power input (M12) 1 x ATX power switch w/indicator 4 x N-jack antenna opening with water proof design |
| Watchdog Timer | 255 levels, 1 to 255 sec. |
| Storage | 1 x 2.5" HDD drive bay (max. up 9.5 mm height) 1 x mSATA (enabled in BIOS setting) |
| Expansion Interface | 1 x Full-size PCI Express Mini Card slot (USB + PCIe signal) 1 x Half-size PCI Express Mini Card slot (USB + PCIe signal) |
| TPM | TPM 1.2 |
| System Indicator | 1 x Green LED for system power-on |
| Power Input | 9 to 36 VDC |
| Operating Temperature | -30°C to +60°C (-22°F to +140°F) (with i5-7300U, W.T. SSD/DRAM) |
| Humidity | 10%- 95% , non-condensing |
| Vibration Endurance | 3 Grms with SSD (5 to 500Hz, X, Y, Z directions) |

Specifications

| | |
|--------------------|---|
| Dimensions | 210 mm (8.27") x 366.83 mm (14.44") x 83.8 mm (3.27") |
| Weight (net/gross) | 4.31 kg (9.5 lb)/5.1 kg (11.24 lb) |
| Certifications | CE, FCC Class A, UKCA |
| EOS Support | Win 10 IoT & Linux |
| Software Support | AXView |

* W.T.: Wide Temperature. All W.T. supported products have to be sorted by Axiomtek.

Packing List

- 1 x Water-proof PWR cable (180 cm)
- 1 x Water-proof VGA cable (180 cm)
- 1 x Water-proof USB 2.0 cable (180 cm)

Power Protection

DC Version

- OVP (over voltage protection)
- OCP (over current protection)
- SCP (short circuit protection)

Ordering Information

Standard

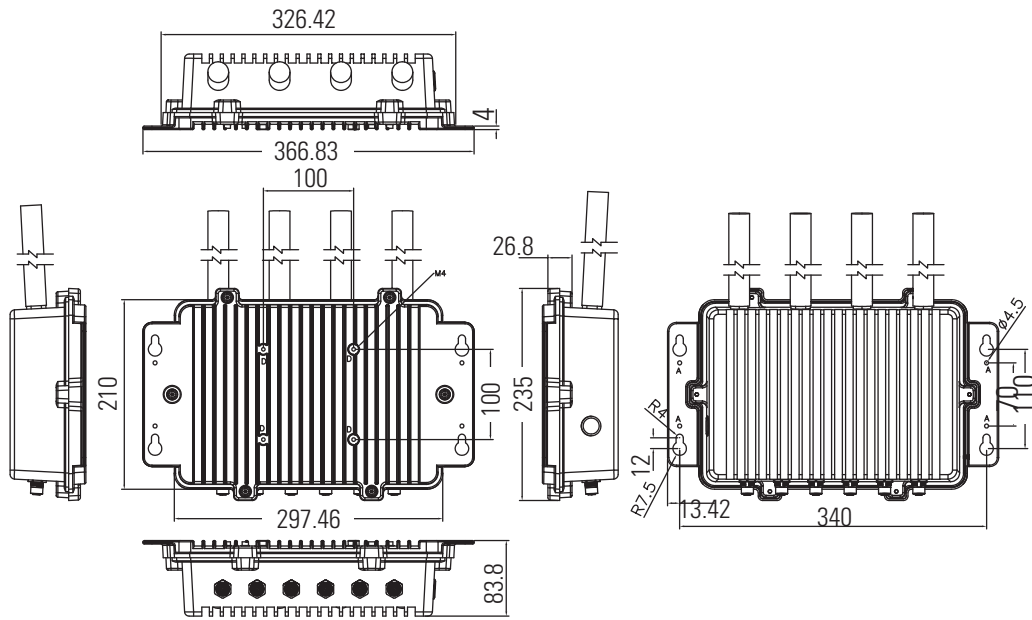
| | |
|--|--|
| eBOX800-511-FL-DC-7300U (P/N: E36K800102) | Rugged IP67-rated Fanless Embedded System with Intel® Core™ i5-7300U, VGA, GbE LAN, 2 USB, 2 COM and 9 to 36 VDC |
| eBOX800-511-FL-DC-3965U (P/N: E36K800103) | Rugged IP67-rated Fanless Embedded System with Intel® Celeron® 3965U, VGA, GbE LAN, 2 USB, 2 COM and 9 to 36 VDC |

Optional

| | |
|----------------------|-----------------------------|
| 2.5" SATA HDD (W.T.) | 80GB or above |
| 2.5" SATA SSD (W.T.) | 100GB or above |
| DDR4 SO-DIMM (W.T.) | 8GB to 16GB |
| | Wi-Fi/LTE module |
| 594B8122100E | RS-232 serial cable, 180 cm |
| 594B8152710E | LAN cable, 180 cm |
| 509000002200 | 24V 90W M12 power adapter |

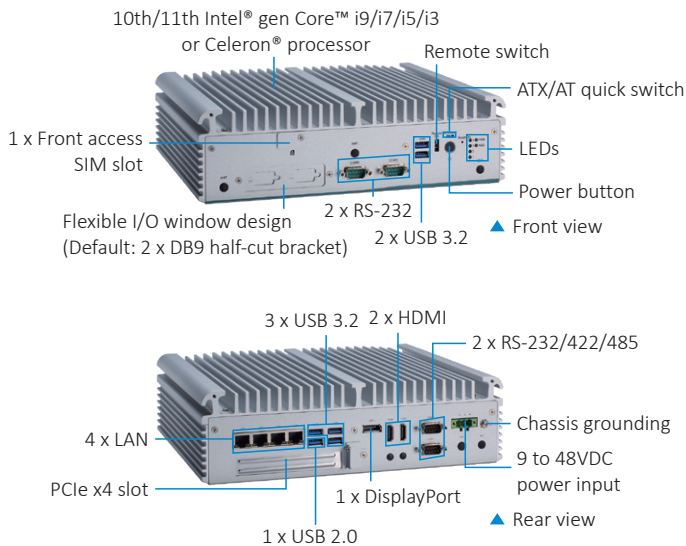
* Specifications and certifications may vary based on different requirements.

Dimensions



eBOX710A NEW

Fanless Embedded System with LGA1200 Socket 11th/10th Gen Intel® Core™ i9/i7/i5/i3 or Celeron® Processor, Intel® H420E, HDMI, DisplayPort, 6 USB, 4 LAN, PCIe x4 slot, and 9 to 48 VDC



Features

- 10th/11th gen Intel® Core™ i9/i7/i5/i3 or Celeron® (Comet Lake-S) up to 65W processor
- 4 GbE LAN and 4 COM ports
- Dual 2.5" SATA HDD drive bays
- 2 HDMI and 1 DisplayPort with dual-view supported
- -40°C to +70°C wide operating temperatures
- Wide range power input from 9 to 48 VDC
- 1 PCIe x4 slot for I/O card
- Flexible I/O Window supported via mPCIe modules



Specifications

| | | |
|---------------------|---|---|
| Standard Color | Silver | |
| Construction | Aluminum extrusion and heavy-duty steel, IP40 | |
| CPU | LGA1200 socket 10th/11th gen Intel® Core™ i9/i7/i5/i3 or Celeron® processor (35W/65W) | |
| System Memory | 2 x 260 pin DDR4-2933 non-ECC SO-DIMM, up to 64GB | |
| Chipset | Intel® H420E | |
| BIOS | AMI | |
| System I/O Outlet | Front side 1 x Power button 1 x AT/ATX quick switch 2 x USB 3.2 Gen1 1 x Remote switch 1 x Front access SIM slot with cover (for M.2 Key B) 1 x Reset switch connector 2 x RS-232 3 x Antenna opening 1 x Flexible I/O window (Default: 2 x DB9 half-cut bracket) | Rear side 1 x DC-in Phoenix type 2 x HDMI 1.4b (lockable) 1 x DisplayPort 1.2 ++ 3 x USB 3.2 Gen1 1 x USB 2.0 4 x GbE (3 x Intel® i210-IT, 1 x Intel® i219-LM) 2 x RS-232/422/485 2 x Antenna opening 1 x Grounding screw 1 x PCIe x4 slot |
| Watchdog Timer | 255 levels, 1 to 255 sec. | |
| Storage | 2 x 2.5" SATA HDD/SSD (up to 15 mm height) 2 x mSATA (enabled in BIOS setting) | |
| Expansion Interface | 2 x Full-size PCI-Express Mini Card slot (USB + PCIe + SATA signal) 1 x M.2 Key B 3050 (for 5G; USB signal) 1 x Internal SIM slot for PCIe Mini Card slot 1 x PCIe x4 slot | |
| TPM | TPM 2.0 | |
| System Indicator | 1 x Green LED for system power 1 x Orange LED for HDD active 4 x Programmable Green LED | |
| Power Input | 9 to 48 VDC | |

Specifications

| | |
|-----------------------|---|
| Operating Temperature | -40°C to +70°C (-40°F to +158°F) with 0.7 m/s air flow (CPU TDP 35W) -40°C to +60°C (-40°F to +140°F) with 0.7 m/s air flow (CPU TDP 65W) (with W.T. DRAM & SSD) |
| Humidity | 10% - 90%, non-condensing |
| Shock Vibration | IEC 60068-2-27 (w/ SSD: 50G, half-sine, 11 ms duration) |
| Vibration Endurance | IEC 60068-2-64 (w/ SSD: 3Grms STD, random, 5- 500 Hz, 1 hr/axis) |
| Package Vibration | MIL-STD-810G 514.6C-II compliance |
| Dimensions | 280 mm (11.02") (W) x 210 mm (8.26") (D) x 80.5 mm (3.16") (H) |
| Weight (net/gross) | 4.9 kg (10.8 lb)/7 kg (15.43 lb) |
| Certifications | CE, FCC Class A, UKCA |
| EOS Support | Win 11/10 IoT, Linux |

* W.T.: Wide Temperature. All W.T. supported products have to be sorted by Axiomtek.

Packing List

1 x Thermal grease
1 x 3-pin terminal block connector
1 x Remote power switch cable
4 x Foot pad
1 x M.2 bracket + 2 x thermal pad + screw
2 x HDD bracket + screws

Power Protection

DC Version

OVP (over voltage protection)
UVP (under voltage protection)
OCP (over current protection)
SCP (short circuit protection)
Reverse protection

Ordering Information

Standard

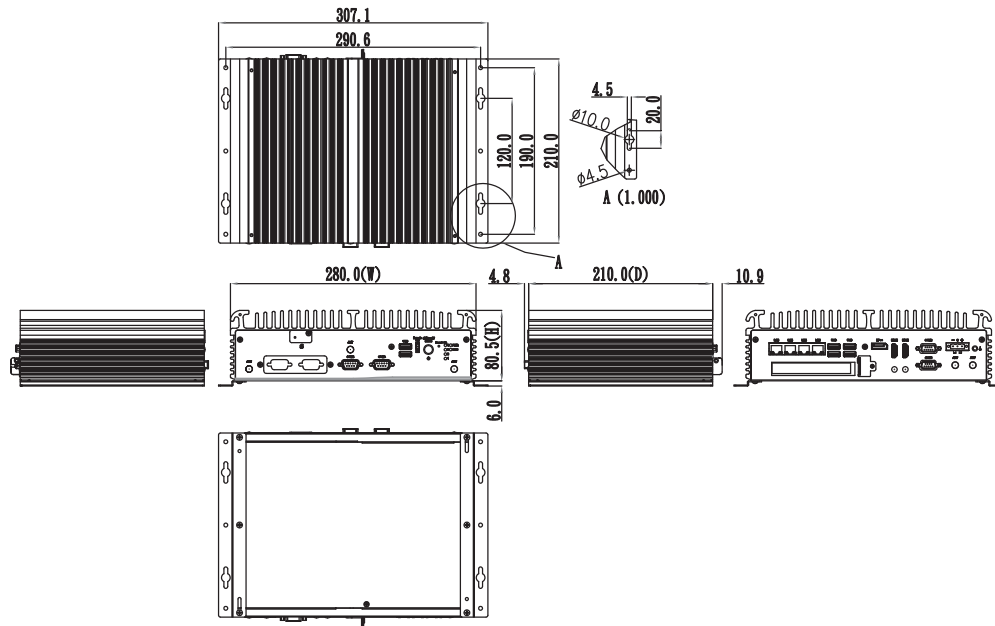
| | |
|--|--|
| eBOX710A-CML-PCIe (P/N: E36K710A00) | Fanless embedded system with LGA1200 socket 10th/11th gen Intel® Core™ i9/i7/i5/i3 or Celeron® processor, Intel® H420E, HDMI, DisplayPort, 6 USB, 4 LAN, PCIe x4 slot, and 9 to 48 VDC |
|--|--|

Optional

| | |
|---------------|--|
| 2.5" SATA HDD | 80GB or above |
| 2.5" SATA SSD | 100GB or above |
| DDR4 SO-DIMM | 8GB to 32GB |
| mSATA | 64GB or above |
| 8816K6718A0E | Wall mount kit |
| 886K671A0A0E | DIN-rail kit |
| | Wi-Fi/LTE/5G module |
| 509000001500 | 24V 120W power adapter Power cord |
| E392906101 | AX92906 COM Mini PCIe Module |
| E392903102 | AX92903 CANbus PCI Express Mini module |
| E392902103 | AX92902 LAN PCI Express Mini module |
| E392918103 | AX92918 Dual LAN PCI Express Mini module |
| 590000002700 | DIO cable, L=20 cm, DB9 connector |

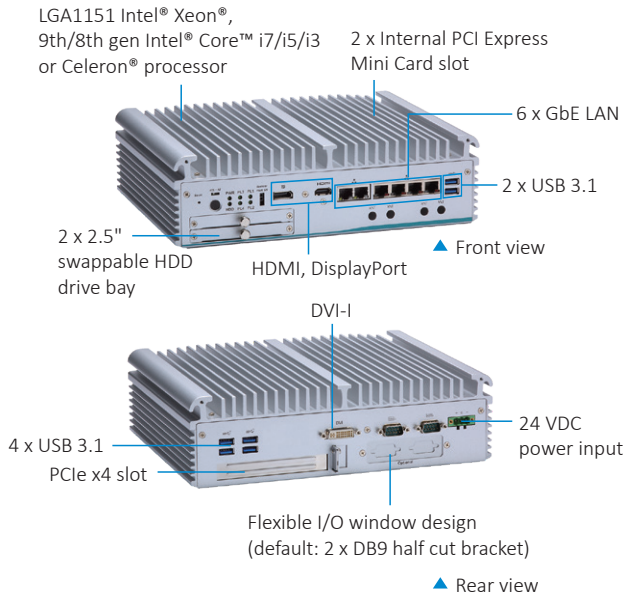
* Specifications and certifications may vary based on different requirements.

Dimensions



eBOX710-521-FL

Fanless Embedded System with LGA1151 Intel® Xeon®, 9th/8th Gen Intel® Core™ i7/i5/i3/Celeron® Processor, Intel® C246, ECC/Non-ECC, and 1 PCIe x4 Slot



Features

- Intel® Xeon®, 9th/8th gen Intel® Core™ i7/i5/i3 or Celeron® processor
- 2 DDR4 ECC/non-ECC memory supported, up to 64GB
- Dual swappable 2.5" SATA HDD drive bays with RAID 0 & 1
- DVI-I, HDMI, and DisplayPort with triple-view supported
- 6 GbE LAN, 6 USB 3.2 and 1 PCIe x4 slot
- Flexible I/O window supported



Specifications

| | |
|---------------------|--|
| Standard Color | Silver |
| Construction | Aluminum extrusion and heavy-duty steel, IP40 |
| CPU | LGA1151 Intel® Xeon®, 9th/8th gen Intel® Core™ i7/i5/i3 or Celeron® processor (CPU TDP max. up to 35 W) |
| System Memory | 2 x 260-pin DDR4-2666 ECC/non-ECC SO-DIMM, up to 64GB* |
| Chipset | Intel® C246 |
| BIOS | AMI |
| System I/O Outlet | 2 x RS-232/422/485 1 x HDMI, 1 x DisplayPort, 1 x DVI-I 6 x 10/100/1000 Mbps Ethernet (5 x Intel® i210-IT & i219-LM) 2 x USB 3.1 Gen2, 4 x USB 3.1 Gen1 1 x Phoenix type VDC power input connector 1 x AT/ATX quick switch 1 x ATX power switch 1 x Reset switch connector 1 x Remote switch 1 x Flexible I/O window (Default : 2 x DB9 half-cut bracket) 4 x SMA-type antenna connector |
| Watchdog Timer | 255 levels, 1 to 255 sec. |
| Storage | 2 x 2.5" HDD drive bay (max. up 9.5 mm height) 1 x mSATA (enabled in BIOS setting) |
| Expansion Interface | 2 x Full-size PCI Express Mini Card slot (USB + PCIe signal) 2 x SIM slot 1 x PCIe x4 slot |
| TPM | TPM 2.0 |
| System Indicator | 1 x Green LED for system power-on 1 x Green LED for HDD active 4 x Green LED for programmable |
| Power Input | 24 VDC |

Specifications

| | |
|-----------------------|--|
| Operating Temperature | -40°C to +70°C (-40°F to +158°F)(with W.T. DRAM & SSD) |
| Humidity | 10%- 90%, non-condensing |
| Shock Vibration | IEC 60068-2-27 (w/ SSD: 50G@wall mount, half-sine, 11 ms duration) |
| Vibration Endurance | IEC 60068-2-64 (w/ SSD: 3Grms STD, random, 5- 500 Hz, 1 hr/axis) |
| Dimensions | 280 mm (11.02") (W) x 210 mm (8.26") (D) x 80.5 mm (3.16") (H) |
| Weight (net/gross) | 4.8 kg (10.58 lb)/5.6 kg (12.34 lb) |
| Certifications | CE, FCC Class A, UKCA |
| EOS Support | Win 10 IoT, Linux |
| Software Support | AXView |

* W.T.: Wide Temperature. All W.T. supported products have to be sorted by Axiomtek.

* ECC memory can be supported by Intel® Xeon® and i3 processor only.

Packing List

- 1 x Screw pack
- 4 x Pre-installed foot pad
- 1 x 3-pin terminal block connector
- 1 x Remote power switch cable

Power Protection

DC Version

- OVP (over voltage protection)
- UVP (under voltage protection)
- OCP (over current protection)
- SCP (short circuit protection)
- Reverse protection

Ordering Information

Standard

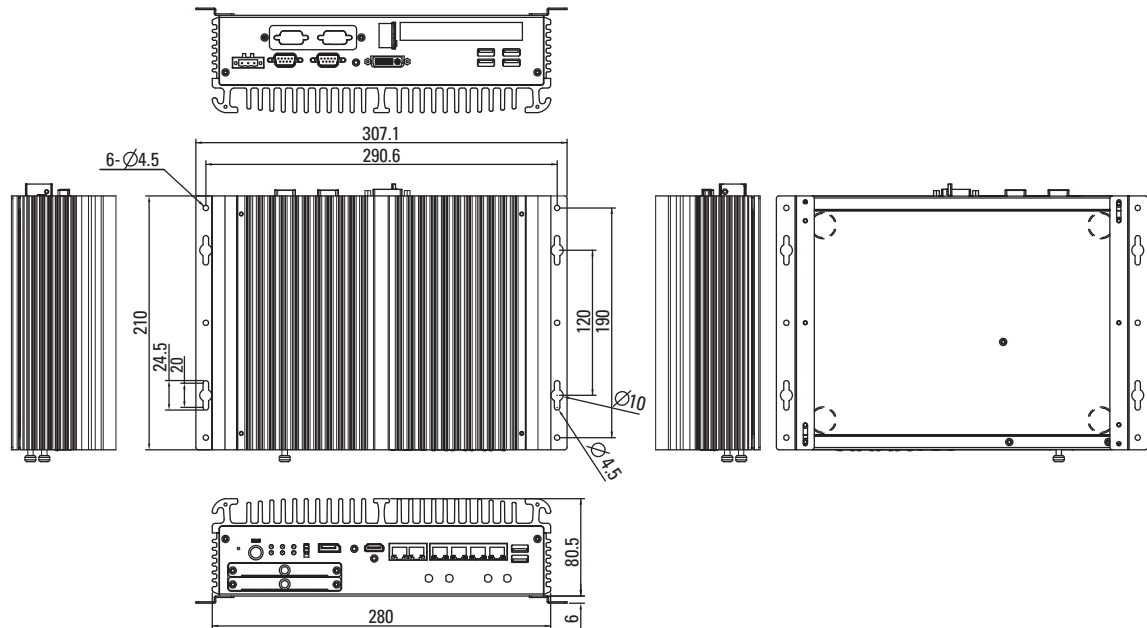
| | |
|---|---|
| eBOX710-521-FL-PCIE-DC (P/N: E36K710100) | Fanless embedded system with LGA1151 Intel® Xeon®, 9th/8th gen Intel® Core™ i7/i5/i3 or Celeron® processor, Intel® C246, ECC/non-ECC memory, 1 PCIe x4 slot, and 24 VDC |
|---|---|

Optional

| | |
|---------------|---|
| 2.5" SATA HDD | 80GB or above |
| 2.5" SATA SSD | 100GB or above |
| DDR4 SO-DIMM | 8GB to 32GB |
| mSATA | 64GB or above |
| 8816K6718AOE | Wall mount kit |
| 886K671A0AOE | DIN-rail kit |
| | Wi-Fi/LTE module |
| 509000001500 | 24V 120W adapter |
| | Power cord |
| E392903102 | AX92903 CANBus PCI Express Mini module |
| E392902103 | AX92902 LAN PCI Express Mini module |
| 59406392140E | RS-232 cable, L=200 mm for COM3/4 |
| E392904102 | AX92904 DIO PCI Express Mini module |
| E392905103 | 3.5 mm audio I/O & half PCI Express Mini module |
| E392905103 | AX92905 Audio PCI Express Mini module |
| E392918103 | AX92918 Dual LAN PCI Express Mini module |

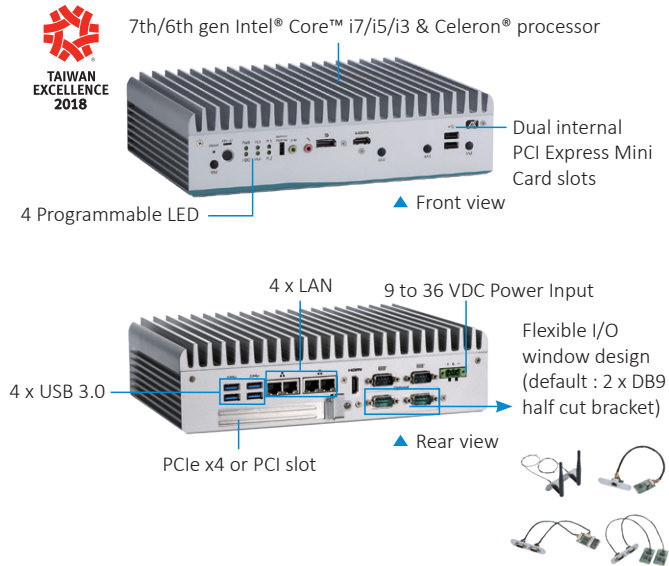
* Specifications and certifications may vary based on different requirements.

Dimensions



eBOX700-891-FL

Fanless Embedded System with LGA1151 Socket 7th/6th Gen Intel® Core™ i7/i5/i3 & Celeron® Processor, Intel® H110, 2 HDMI, DisplayPort, 4 GbE LAN, 6 USB, PCIe x4/PCI Slot, and 9 to 36 VDC



Features

- Wide operating temperature range from -40°C to +50°C
- 7th/6th gen Intel® Core™ i7/i5/i3 & Celeron® processors
- PCIe x 4 or PCI slot supported
- Supports 6 USB ports and 4 GbE LAN
- 2 PCI Express Mini Card slots for WLAN/WWAN/mSATA modules
- 1 internal USB Type A connector for Dongle kit



Specifications

| | |
|---------------------|--|
| Standard Color | Silver |
| Construction | Aluminum extrusion and heavy-duty steel, IP40 |
| CPU | LGA1151 socket 7th/6th gen Intel® Core™ i7/i5/i3 & Celeron® processor (CPU TDP max. up to 35 W) |
| System Memory | 6th gen: 2 x 260-pin SO-DIMM DDR4-1866/2133, up to 32GB 7th gen: 2 x 260-pin SO-DIMM DDR4-2133/2400, up to 32GB |
| Chipset | Intel® H110 |
| BIOS | AMI UEFI BIOS |
| System I/O Outlet | 2 x RS-232/422/485 2 x HDMI (1 x HDMI 2.0 & 1 x HDMI 1.4b) 1 x DisplayPort 1 x Audio (Mic-in/Line-out) 4 x 10/100/1000 Mbps Ethernet (Intel® i210-IT, i219-LM) 4 x USB 3.0, 2 x USB 2.0 4 x Antenna opening 1 x Phoenix type VDC power input connector 1 x ATX power switch 1 x Remote power switch 1 x ATX/AT quick switch 1 x Reset switch connector 1 x Flexible I/O window (default: 2 x DB9 half cut bracket) |
| Watchdog Timer | 255 levels, 1 to 255 sec. |
| Storage | 1 x 2.5" SATA HDD drive bay (max. up 15 mm height) 1 x mSATA (enabled in BIOS setting) |
| Expansion Interface | 2 x Full-size PCI Express Mini Card slot (USB+PCIe signal) 1 x SIM slot 1 x PCIe x4 slot or 1 x PCI slot 1 x Internal USB Type A for license dongle kit usage |
| TPM | N/A |
| System Indicator | 1 x Green LED for system power-on 1 x Yellow LED for HDD active 4 x Programmable green LED |
| Power Input | 9 to 36 VDC |

Specifications

| | |
|-----------------------|--|
| Operating Temperature | -40°C to +50°C (-40°F to +122° F) (with W.T. SSD/DRAM) |
| Humidity | 10%- 90%, non-condensing |
| Vibration Endurance | 3 Grms with SSD (5 to 500Hz, X, Y, Z directions) |
| Dimensions | 280 mm (11.02") (W) x 190 mm (7.48") (D) x 76 mm (2.99") (H) |
| Weight (net/gross) | 3.8 kg (8.37 lb)/4.6 kg (10.14 lb) |
| Certifications | CE, FCC Class A, UKCA |
| EOS Support | Win 10 IoT, Linux |
| Software Support | AMS.AXView |

* W.T.: Wide Temperature. All W.T. supported products have to be sorted by Axiomtek.

Packing List

1 x Remote power cable
 1 x Terminal block connector
 4 x Pre-installed foot pad

Power Protection

DC Version

OVP (over voltage protection)
 UVP (under voltage protection)
 SCP (short current protection)

Ordering Information

Standard

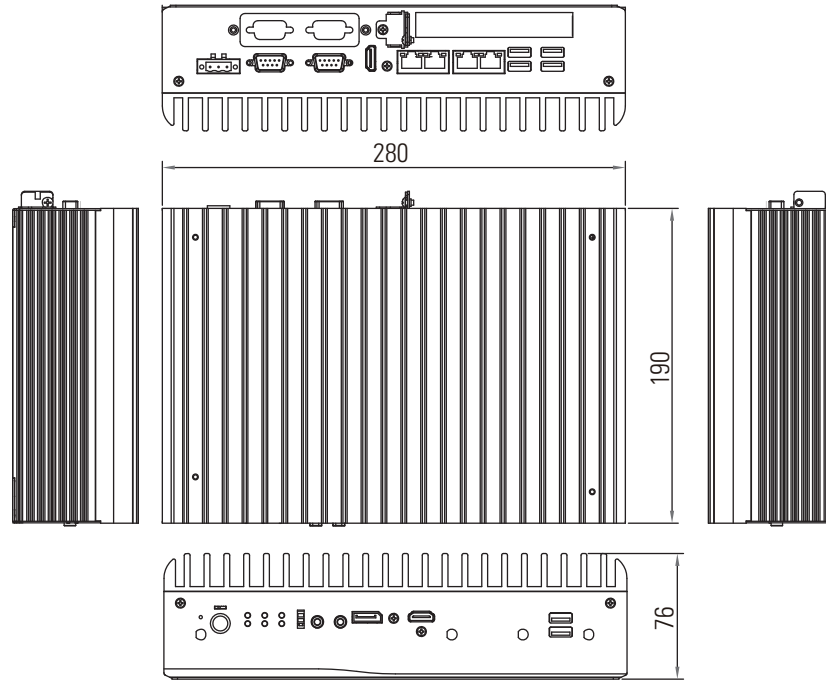
| | |
|--|---|
| eBOX700-891-FL-PCI-DC (P/N: E36K700100) | Fanless embedded system with LGA1151 socket 7th/6th gen Intel® Core™ i7/i5/i3 & Celeron® processor, Intel® H110, 2 HDMI, DisplayPort, 4 GbE LAN, 6 USB, PCIe x4 and 9 to 36 VDC |
| eBOX700-891-FL-PCI-DC (P/N: E36K700103) | Fanless embedded system with LGA1151 socket 7th/6th gen Intel® Core™ i7/i5/i3 & Celeron® processor, Intel® H110, 2 HDMI, DisplayPort, 4 GbE LAN, 6 USB, PCI and 9 to 36 VDC |

Optional

| | |
|---------------|--|
| 2.5" SATA HDD | 80GB or above |
| 2.5" SATA SSD | 100GB or above |
| DDR4 SO-DIMM | 8GB to 16GB |
| | Wi-Fi/LTE module |
| 8816K7000AOE | Wall mount kit |
| 8816K6702AOE | DIN-rail kit |
| 509000001500 | 24V 120W power adapter Power cord |
| E392903102 | AX92903 CANbus PCI Express Mini module |
| E392902103 | AX92902 LAN PCI Express Mini module |
| E392906101 | AX92906 COM PCI Express Mini module |
| E392904102 | AX92904 DIO PCI Express Mini module |
| E392905103 | AX92905 Audio PCI Express Mini module |
| E392918103 | AX92918 Dual LAN PCI Express Mini module |

* Specifications and certifications may vary based on different requirements.

Dimensions



eBOX671B NEW

Fanless Embedded System with LGA1700 Socket 12th Gen Intel® Core™ i9/i7/i5/i3/Celeron® Processor, Intel® R680E, 2 HDMI, 1 DisplayPort, 6 USB, 4 LANs, MXM 3.1 Type A, and 9 to 36 VDC



Features

- The latest 12th Gen Intel® Core™ i9/i7/i5/i3/Celeron® with Intel® R680E chipset (Alder Lake S)
- DDR5 SO-DIMM memory support up to 64 GB
- 4 Intel LAN with optional PoE supported
- Dual 2.5" SATA HDD drive bays with RAID 0 & 1
- Triple view : 2 HDMI & 1 DisplayPort
- -40 °C to +65 °C wide range operation temperature
- Wide range power input from 9 to 36 VDC
- Flexible I/O Window supported via mPCIe modules



Specifications

| | | |
|---------------------|--|--|
| Standard Color | Silver | |
| Construction | Aluminum extrusion and heavy-duty steel, IP40 | |
| CPU | LGA1700 socket 12th gen Intel® Core™ i9/i7/i5/i3/Celeron® processor (35W/65W) | |
| System Memory | 2 x 262 pin DDR5-4800 SO-DIMM, up to 64GB | |
| Chipset | Intel® R680E | |
| BIOS | AMI | |
| System I/O Outlet | Front side 2 x HDMI 1.4b (1 x lockable) 1 x DisplayPort 1.4a 2 x DisplayPort 1.4a via optional MXM kit 2 x USB 3.2 Gen1 1 x Power button 1 x Remote switch 1 x Front access SIM slot with cover (for M.2 Key B) 1 x Reset switch connector 3 x Antenna Opening | Rear side 4 x USB 3.2 Gen2 3 x 2.5 GbE (Intel® i226-IT)* 1 x GbE (Intel® i219-LM)* 2 x RS-232/422/485 with autoflow 2 x RS-232 1 x Phoenix type VDC power input connector 1 x Flexible IO window (Default: 2 x DB9 half-cut bracket) 1 x grounding screw 2 x Antenna opening |
| Watchdog Timer | 255 levels, 1 to 255 sec. | |
| Storage | 2 x 2.5" SATA HDD/SSD (up to 15 mm height; RAID 0,1 supported) 1 x NVMe by M.2 2280 key M 1 x mSATA (enable in BIOS setting) | |
| Expansion Interface | 1 x Full-size PCI Express Mini Card slot (USB2.0 + PCIe + SIM + mSATA signal) 1 x M.2 Key M socket (2280) 1 x M.2 Key E socket (2230, for WiFi 6E) 1 x M.2 Key B socket (3052, for 5G) 1 x Internal SIM slot for PCIe Mini Card slot 1 x MXM3.1 type A connector | |
| TPM | TPM 2.0 | |
| System Indicator | 1 x Green LED for system power 1 x Orange LED for HDD active 4 x Programmable Green LED | |
| Power Input | 9 to 36 VDC with ACC ignition | |

Specifications

| | |
|-----------------------|---|
| Operating Temperature | Without MXM module: -40°C to +65°C (-40°F to +140°F) (with W.T. DRAM & SSD, CPU TDP 35W) -40°C to +55°C (-40°F to +122°F) (with W.T. DRAM & SSD, CPU TDP 65W) With MXM module: -40°C to +55°C (-40°F to +122°F) (with W.T. DRAM & SSD & MXM kit, CPU TDP 35W) |
| Humidity | 10% - 90%, non-condensing |
| Shock Vibration | IEC 60068-2-27 (w/ SSD: 50G, half-sine, 11 ms duration) |
| Vibration Endurance | IEC 60068-2-64 (w/ SSD: 3Grms STD, random, 5- 500 Hz, 1 hr/axis) |
| Package Vibration | MIL-STD-810G 514.6C-II compliance |
| Dimensions | 280 mm (11.02") (W) x 210 mm (8.26") (D) x 80.5 mm (3.16") (H) |
| Weight (net/gross) | 4.9 kg (10.8 lb)/7 kg (15.43 lb) |
| Certifications | CE , FCC Class A, UKCA |
| EOS Support | Win 10 IoT, Win 11 IoT, Linux |

* 4 PoE by request (PoE IEEE802.3at, up to 60W)

** W.T.: Wide Temperature. All W.T. supported products have to be sorted by Axiomtek.

Packing List

- 1 x Thermal grease
- 1 x 3-pin terminal block connector
- 1 x Remote power switch cable
- 4 x Foot pad
- 1 x M.2 bracket + 2 x thermal pad + screw
- 2 x HDD bracket + screws

Power Protection

DC Version

- OVP (over voltage protection)
- UVP (under voltage protection)
- OCP (over current protection)
- SCP (short circuit protection)
- Reverse protection

Ordering Information

Standard

| | |
|------------------|---|
| eBOX671B-ALD-GbE | Fanless Embedded System with LGA1700 Socket 12th Gen Intel® Core™ i9/i7/i5/i3/Celeron® Processor, Intel®R680E, 2 HDMI, DisplayPort, 6 USB, 4 LAN, and 9 to 36 VDC |
|------------------|---|

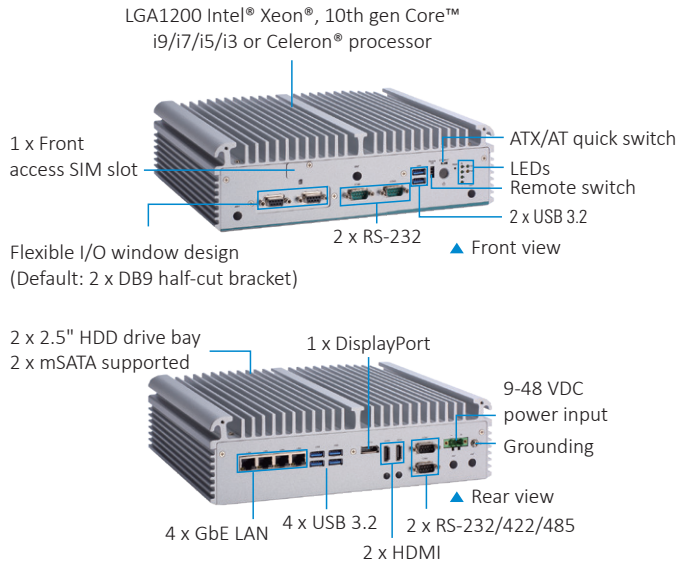
Optional

| | |
|---------------|--|
| 2.5" SATA HDD | 80GB or above |
| 2.5" SATA SSD | 100GB or above |
| DDR5 SO-DIMM | 8GB to 32GB |
| mSATA | 64GB or above |
| 8816K6718A0E | Wall mount kit |
| 886K671A0A0E | DIN-rail kit |
| | Wi-Fi/LTE module |
| 509000001500 | 24V 120W power adapter |
| | Power cord |
| E392903102 | AX92903 CANbus PCI Express Mini module |
| E392902103 | AX92902 LAN PCI Express Mini module |
| E392918103 | AX92918 Dual LAN PCI Express Mini module |
| 590000002700 | DIO cable, L=20 cm, DB9 connector |

* Specifications and certifications may vary based on different requirements.

eBOX671A NEW

Fanless Embedded System with LGA1200 Socket 10th Gen Intel® Xeon®/Core™ i9/i7/i5/i3 or Celeron® Processor, Intel® W480E, 2 HDMI, DisplayPort, 6 USB, 4 LAN, and 9 to 48 VDC



Features

- LGA1200 10th gen Intel® Xeon®/Core™ i9/i7/i5/i3 or Celeron® with Intel® W480E chipset (Comet Lake-S)
- 4 GbE LAN with optional PoE supported
- Dual 2.5" SATA HDD drive bays with RAID 0 & 1
- 2 HDMI and 1 DisplayPort for triple view
- -40 °C to 70 °C wide range operation temperature
- Wide range power input from 9 to 48 VDC
- Two 10GbE LAN (X550-T2) by request
- Flexible I/O Window supported via mPCIe modules



Specifications

| | | |
|---------------------|--|--|
| Standard Color | Silver | |
| Construction | Aluminum extrusion and heavy-duty steel, IP40 | |
| CPU | LGA1200 socket 10th gen Intel® Xeon®/Core™ i9/i7/i5/i3 or Celeron® processor (35W/65W) | |
| System Memory | 2 x 260 pin DDR4-2933 ECC*/non-ECC SO-DIMM, up to 64GB *ECC memory is available with Intel®Xeon® processor | |
| Chipset | Intel® W480E | |
| BIOS | AMI | |
| System I/O Outlet | Front side 1 x Power button 1 x AT/ATX quick switch 2 x USB 3.2 Gen2 1 x Remote switch 1 x Front access SIM slot with cover (for M.2 Key B) 1 x Reset switch connector 2 x RS-232 3 x Antenna opening 1 x Flexible I/O window (Default: 2 x DB9 half-cut bracket) 2 x 10GbE (X550-T2) by request 1 x Grounding screw | Rear side 1 x DC-in Phoenix type 2 x HDMI 1.4b (lockable) 1 x DisplayPort 1.2 ++ 3 x USB 3.2 Gen2 1 x USB 3.2 Gen1 4 x GbE (PoE*) (3 x Intel® i210-IT, 1 x Intel® i219-LM) 2 x RS-232/422/485 2 x Antenna opening |
| Watchdog Timer | 255 levels, 1 to 255 sec. | |
| Storage | 2 x 2.5" SATA HDD/SSD (up to 15 mm height & RAID 0 & 1) 2 x mSATA (enabled in BIOS setting & RAID 0 & 1) | |
| Expansion Interface | 2 x Full-size PCI-Express Mini Card slot (USB + PCIe + SATA signal) 1 x M.2 Key B 3050 (for 5G) 1 x Internal SIM slot for PCIe Mini Card slot | |
| TPM | TPM 2.0 | |
| System Indicator | 1 x Green LED for system power 1 x Orange LED for HDD active 4 x Programmable Green LED | |
| Power Input | 9 to 48 VDC | |

Specifications

| | |
|-----------------------|---|
| Operating Temperature | -40°C to +70°C (-40°F to +158°F) with 0.7 m/s air flow (CPU TDP 35W) -40°C to +60°C (-40°F to +140°F) with 0.7 m/s air flow (CPU TDP 65W) (with W.T. DRAM & SSD) |
| Humidity | 10%- 90%, non-condensing |
| Shock Vibration | IEC 60068-2-27 (w/ SSD: 50G, half-sine, 11 ms duration) |
| Vibration Endurance | IEC 60068-2-64 (w/ SSD: 3Grms STD, random, 5- 500 Hz, 1 hr/axis) |
| Dimensions | 280 mm (11.02") (W) x 210 mm (8.26") (D) x 80.5 mm (3.16") (H) |
| Weight (net/gross) | 4.9 kg (10.8 lb)/7 kg (15.43 lb) |
| Certifications | CE, FCC Class A, UKCA |
| EOS Support | Win 11/10 IoT, Linux |

* PoE IEEE802.2at, up to 60W

** W.T.: Wide Temperature. All W.T. supported products have to be sorted by Axiomtek.

Packing List

- 1 x Thermal grease
- 1 x 3-pin terminal block connector
- 1 x Remote power switch cable
- 4 x Foot pad
- 1 x M.2 bracket + 2 x thermal pad + screw
- 2 x HDD bracket + screws

Power Protection

DC Version

- OVP (over voltage protection)
- UVP (under voltage protection)
- OCP (over current protection)
- SCP (short circuit protection)
- Reverse protection

Ordering Information

Standard

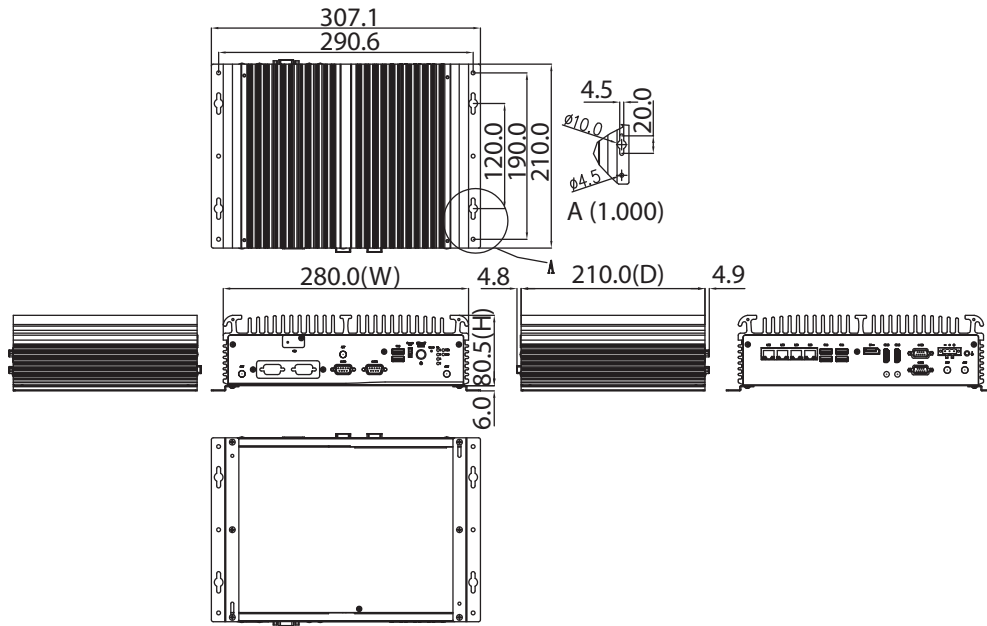
| | |
|---------------------------------------|---|
| eBOX671A-CML-GbE (P/N: E36K671A00) | Fanless embedded system with LGA1200 socket 10th gen Intel® Xeon®/Core™ i9/i7/i5/i3 or Celeron® processor, Intel® W480E, 2 HDMI, DisplayPort, 6 USB, 4 LAN, and 9 to 48 VDC |
| eBOX671A-CML-PoE | Fanless embedded system with LGA1200 socket 10th gen Intel® Xeon®/Core™ i9/i7/i5/ i3 or Celeron® processor, Intel® W480E, 2 HDMI, DisplayPort, 6 USB, 4 PoE, and 24VDC only (preliminary) |

Optional

| | |
|---------------|--|
| 2.5" SATA HDD | 80GB or above |
| 2.5" SATA SSD | 100GB or above |
| DDR4 SO-DIMM | 8GB to 32GB |
| mSATA | 64GB or above |
| 8816K6718A0E | Wall mount kit |
| 886K671A0A0E | DIN-rail kit |
| | Wi-Fi/LTE module |
| 509000001500 | 24V 120W power adapter Power cord |
| E392906101 | AX92906 COM Mini PCIe Module |
| E392903102 | AX92903 CANbus PCI Express Mini module |
| E392902103 | AX92902 LAN PCI Express Mini module |
| E392918103 | AX92918 Dual LAN PCI Express Mini module |
| 590000002700 | DIO cable, L=20 cm, DB9 connector |

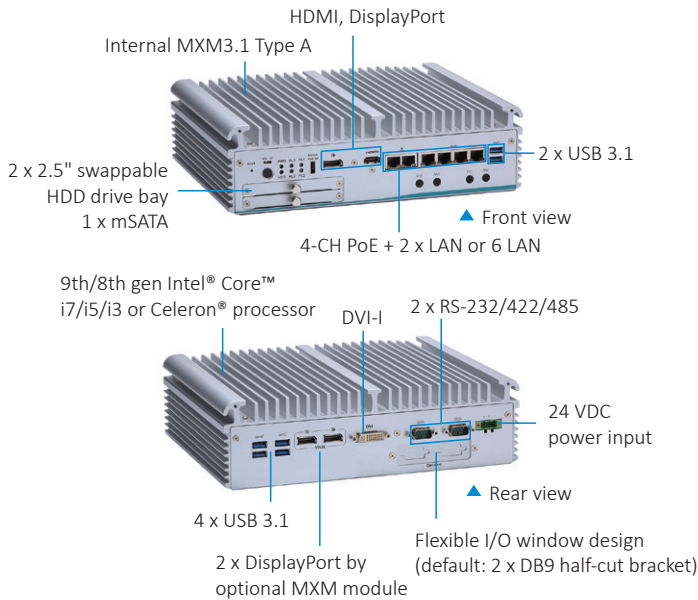
* Specifications and certifications may vary based on different requirements.

Dimensions



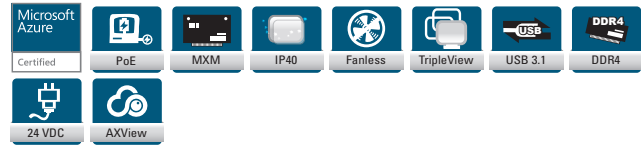
eBOX671-521-FL

Fanless Embedded System with LGA1151 9th/8th Gen Intel® Core™ i7/i5/i3 & Celeron® Processor, 4-CH PoE, and MXM 3.1 Type A



Features

- 9th/8th gen Intel® Core™ i7/i5/i3 & Celeron® with Intel® Q370 chipset (Coffee Lake/Coffee Lake Refresh-S)
- 4-CH PoE (IEEE802.3at compliance)
- Dual swappable 2.5" SATA HDD drive bays with RAID 0 & 1
- Supports MXM 3.1 type A graphics module (optional)
- DVI-I, HDMI, and DisplayPort with triple-view supported
- AMS.AXView intelligent remote monitoring software for IIoT



Specifications

| | |
|---------------------|--|
| Standard Color | Silver |
| Construction | Aluminum extrusion and heavy-duty steel, IP40 |
| CPU | LGA1151 9th gen Intel® Core™ i7/i5/i3 or Celeron® processors (35W) LGA1151 8th gen Intel® Core™ i7/i5/i3 or Celeron® processors (35W/65W) |
| System Memory | 2 x 260-pin DDR4-2666 SO-DIMM, up to 64GB (ECC supported by Intel® C246 PCH) |
| Chipset | Intel® Q370 or Intel® C246 PCH (optional) |
| BIOS | AMI |
| System I/O Outlet | 2 x RS-232/422/485 2 x DisplayPort via optional MXM kit 1 x HDMI, 1 x DisplayPort, 1 x DVI-I 4 x Power over Ethernet (IEEE802.2at), up to 60W 2 x 10/100/1000 Mbps Ethernet (Intel® i210-IT & i219-LM) 2 x USB 3.1 Gen2, 4 x USB 3.1 Gen1 1 x Phoenix type VDC power input connector 1 x AT/ATX quick switch 1 x ATX power switch 1 x Reset switch connector 1 x Remote switch 1 x Flexible I/O window (Default : 2 x DB9 half-cut bracket) 4 x SMA-type antenna connector |
| Watchdog Timer | 255 levels, 1 to 255 sec. |
| Storage | 2 x 2.5" HDD drive bay (up to 9.5 mm height) 1 x mSATA (enabled in BIOS setting) |
| Expansion Interface | 2 x Full-size PCI Express Mini Card slot (USB + PCIe signal) 2 x SIM slot 1 x MXM3.1 type A connector |
| TPM | TPM 2.0 |
| System Indicator | 1 x Green LED for system power-on 1 x Green LED for HDD active 4 x Green LED for programmable |
| Power Input | 24 VDC |

Specifications

| | |
|-----------------------|---|
| Operating Temperature | Without MXM module: -40°C to +60°C (-40°F to +140°F) (with W.T. DRAM & SSD, CPU TDP 35W) -40°C to +50°C (-40°F to +122°F) (with W.T. DRAM & SSD, CPU TDP 65W) With MXM module: -40°C to +50°C (-40°F to +122°F) (with W.T. DRAM & SSD & MXM kit, CPU TDP 35W) |
| Humidity | 10% - 90%, non-condensing |
| Shock Vibration | IEC 60068-2-27 (w/ SSD: 50G, half-sine, 11 ms duration) |
| Vibration Endurance | IEC 60068-2-64 (w/ SSD: 3Grms STD, random, 5- 500 Hz, 1 hr/axis) |
| Dimensions | 280 mm (11.02") (W) x 210 mm (8.26") (D) x 80.5 mm (3.16") (H) |
| Weight (net/gross) | 4.8 kg (10.58 lb)/5.6 kg (12.34 lb) |
| Certifications | CE, FCC Class A, UKCA |
| EOS Support | Win 10 IoT, Win 11 IoT, Linux |
| Software Support | AXView |

* W.T.: Wide Temperature. All W.T. supported products have to be sorted by Axiomtek.

Packing List

1 x Screw pack
4 x Pre-installed foot pad
1 x 3-pin terminal block connector
1 x Remote power switch cable

Power Protection

DC Version

OVP (over voltage protection)
UVP (under voltage protection)
OCP (over current protection)
SCP (short circuit protection)
Reverse protection

Ordering Information

Standard

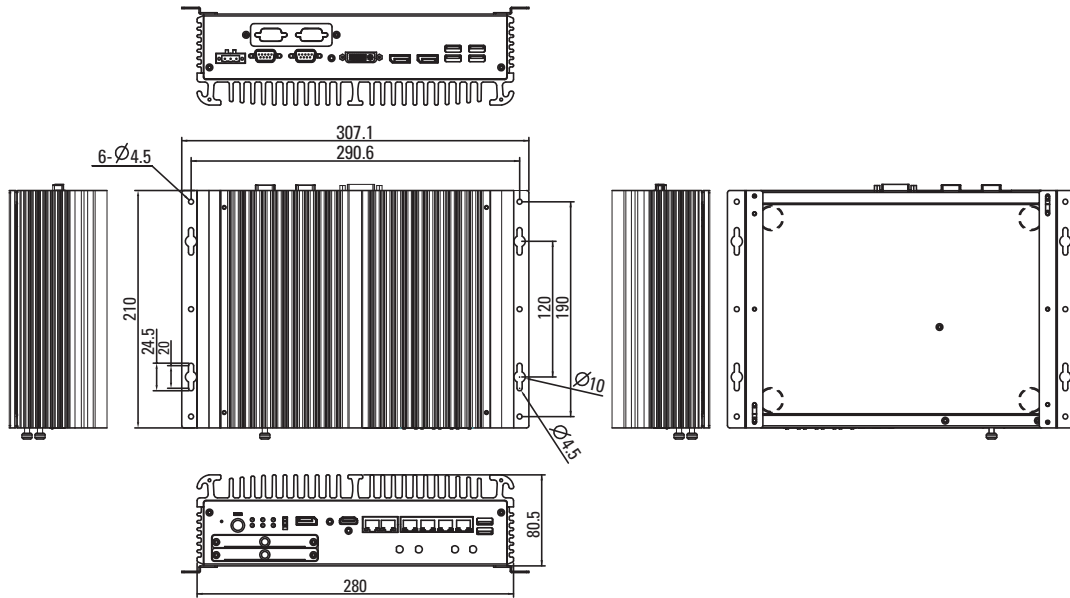
| | |
|---|---|
| eBOX671-521-FL-DC-4PoE (P/N: E36K671105) | Fanless embedded system with LGA1151 9th/8th gen Intel® Core™ i7/i5/i3 or Celeron® processor, Intel® Q370, DVI-I, HDMI, dual HDD, 4 PoE, 2 GbE LAN, 6 USB, 2 COM, and 24 VDC (PoE version, No MXM module supported) |
| eBOX671-521-FL-DC-6GbE (P/N: E36K671110) | Fanless embedded system with LGA1151 9th/8th gen Intel® Core™ i7/i5/i3 or Celeron® processor, Intel® Q370, DVI-I, HDMI, dual HDD, 6 GbE LAN, 6 USB, 2 COM, and 24 VDC (support MXM T1000) |

Optional

| | |
|---------------|--|
| 2.5" SATA HDD | 80GB or above |
| 2.5" SATA SSD | 100GB or above |
| DDR4 SO-DIMM | 8GB to 32GB |
| mSATA | 64GB or above |
| 8816K6718A0E | Wall mount kit |
| 886K671A0A0E | DIN-rail kit |
| | Wi-Fi/LTE module |
| | MXM T1000 kit |
| 509000001500 | 24V 120W power adapter Power cord |
| E392903102 | AX92903 CANbus PCI Express Mini module |
| E392902103 | AX92902 LAN PCI Express Mini module |
| 59406392140E | RS-232 cable, L=200 mm for COM3/4 |
| E392904102 | AX92904 DIO PCI Express Mini module |
| E392905103 | AX92905 Audio PCI Express Mini module |
| E392918103 | AX92918 Dual LAN PCI Express Mini module |

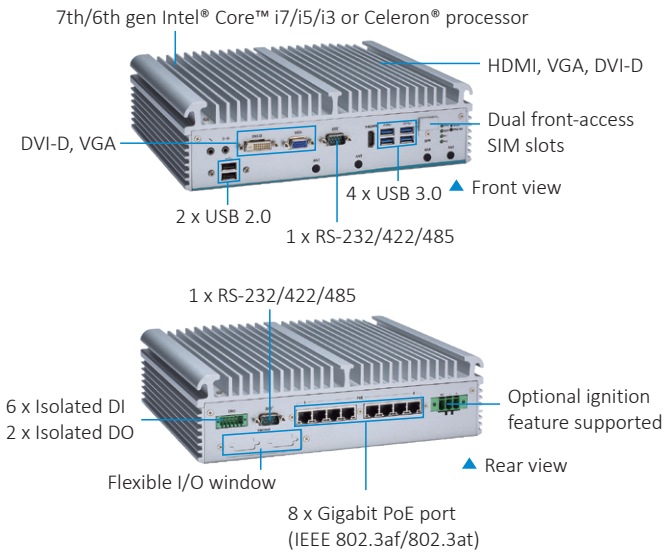
* Specifications and certifications may vary based on different requirements.

Dimensions



eBOX671-517-FL

Fanless Embedded System with LGA1151 Socket 7th/6th Gen Intel® Core™ i7/i5/i3 & Celeron® Processor, Intel® Q170, HDMI, DVI-D, VGA, 8-CH PoE, 6 USB, and 24 VDC



Features

- 7th/6th gen Intel® Core™ i7/i5/i3 & Celeron® processors (35W/65W) and Intel® Q170
- 8-CH PoE onboard
- 2 front-access SIM slots
- Supports 6-in/2-out isolated DIO
- -40°C to +70°C extended operating temperature
- Optional ignition feature supported



Specifications

| | |
|---------------------|--|
| Standard Color | Silver |
| Construction | Aluminum extrusion and heavy-duty steel, IP40 |
| CPU | LGA1151 socket 7th/6th gen Intel® Core™ i7/i5/i3 or Celeron® processor (35W/65W) |
| System Memory | 2 x 260-pin SO-DIMM DDR4-2133, up to 32GB |
| Chipset | Intel® Q170 |
| BIOS | AMI UEFI BIOS |
| System I/O Outlet | 2 x RS-232/422/485 1 x HDMI 1.4b, 1 x VGA, 1 x DVI-D 1 x Audio (Line-out & MIC-in) 8 x Gigabit PoE (IEEE 802.3af/802.3at) port (Intel® i211-AT, max. up to 90W) 4 x USB 3.0, 2 x USB 2.0 4 x SMA-type antenna connector 1 x Phoenix type VDC power input connector 1 x 6-in/2-out isolated DIO 1 x Power switch 1 x Reset switch connector 1 x Flexible I/O window (default: 2 x DB9 half cut bracket) |
| Watchdog Timer | 255 levels, 1 to 255 sec. |
| Storage | 2 x SATA HDD drive bay (max. up to 15 mm height & RAID 0 & 1) 1 x mSATA (enabled in DIP switch setting) |
| Expansion Interface | 2 x Full-size PCI Express Mini Card slot (USB + PCI Express signal) 1 x Half-size PCI Express Mini Card slot (mSATA + USB + PCI Express signal) 1 x Half-size PCI Express Mini Card (USB signal) 2 x External accessible SIM slot |
| TPM | TPM 2.0 |
| System Indicator | 1 x Green LED for system power-on 1 x Yellow LED for HDD active 2 x Programmable green LED |
| Power Input | 24 VDC (ACC is disabled by default) |

Specifications

| | |
|-----------------------|--|
| Operating Temperature | 35W Tj=100°C CPU:-40°C to +70°C (-40°F to +158°F) with W.T. SSD 65W Tj=100°C CPU:-40°C to +55°C (-40°F to +131°F) with W.T. SSD 35W Tj=80°C CPU:-40°C to +50°C (-40°F to +122°F) with W.T. SSD |
| Humidity | 10%- 90%, non-condensing |
| Shock | IEC 60068-2-27 (with SSD: 50G, half sine, 11 ms duration) |
| Vibration Endurance | IEC 60068-2-64 (with SSD: 3Grms STD, random, 5- 500 Hz, 1 hr/axis) |
| Dimensions | 280 mm (11.2") (W) x 210 mm (8.26") (D) x 79.6 mm (3.13") (H) |
| Weight (net/gross) | 4.31 kg (9.5 lb)/5.1 kg (11.24 lb) |
| Certifications | CE, FCC Class A, UKCA |
| EOS Support | Win 10 IoT, Linux |
| Software Support | AMS.AXView |

* W.T.: Wide Temperature. All W.T. supported products have to be sorted by Axiomtek.

Packing List

1 x Terminal block connector
4 x Pre-installed foot pad

Power Protection

DC Version

OVP (over voltage protection)
UVP (under voltage protection)
SCP (short current protection)

Ordering Information

Standard

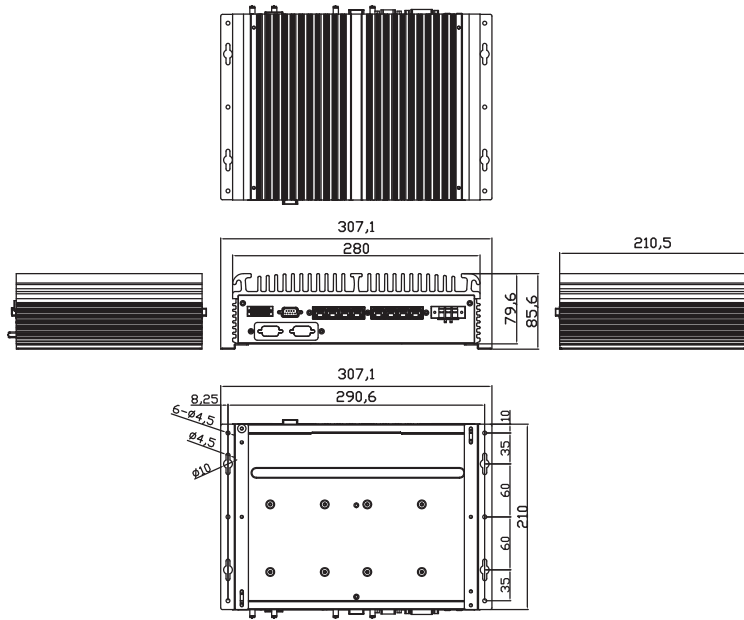
| | |
|--|---|
| eBOX671-517-FL-DC (P/N: E36K671103) | Fanless embedded system with LGA1151 socket 7th/6th gen Intel® Core™ i7/i5/i3 & Celeron® processors, Intel® Q170, VGA, DVI-D, HDMI, 8-CH PoE, 6 USB, and 24 VDC |
|--|---|

Optional

| | |
|---------------|--|
| 2.5" SATA HDD | 80GB or above |
| 2.5" SATA SSD | 100GB or above |
| DDR4 SO-DIMM | 8GB to 16GB |
| mSATA | 64GB or above |
| | Wi-Fi/LTE module |
| 8816K6718A0E | Wall mount kit |
| 886K671A0A0E | DIN-rail kit |
| 509000001500 | 24V 120W power adapter Power cord |
| E392903102 | AX92903 CANbus PCI Express Mini module |
| E392902103 | AX92902 LAN PCI Express Mini module |
| E392906101 | AX92906 COM PCI Express Mini module |
| E392904102 | AX92904 DIO PCI Express Mini module |
| E392905103 | AX92905 Audio PCI Express Mini module |
| E392918103 | AX92918 Dual LAN PCI Express Mini module |

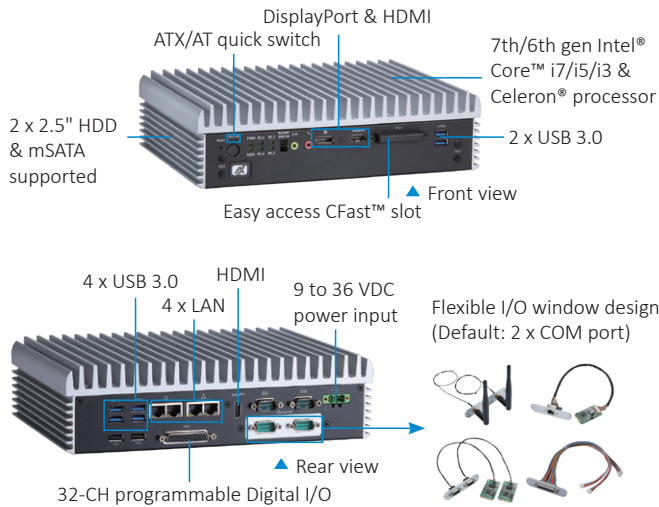
* Specifications and certifications may vary based on different requirements.

Dimensions



eBOX670-891-FL

Fanless Embedded System with LGA1151 Socket 7th/6th Gen Intel® Core™ & Celeron® Processor, Intel® Q170, 2 HDMI, DisplayPort, 4 GbE LAN, 8 USB, 2 PCI Express Mini Card Slots



Features

- LGA1151 socket 7th/6th gen Intel® Core™ i7/i5/i3 & Celeron® processors (Kaby Lake/Skylake)
- 1 DisplayPort and 2 HDMI (1 HDMI 2.0) with triple view supported
- Supports Jumbo Frame (9.5k), WoL, PXE Remote Boot, Teaming
- 9 to 36 VDC wide range power input
- Flexible I/O window design
- AMS.AXView intelligent remote monitoring software for IIoT



Specifications

| | |
|---------------------|---|
| Standard Color | Silver-black |
| Construction | Aluminum extrusion and heavy-duty steel, IP40 |
| CPU | LGA1151 socket 7th/6th gen Intel® Core™ i7/i5/i3 & Celeron® processor (CPU TDP max. up to 35W) |
| System Memory | 6th gen: 2 x 260-pin SO-DIMM DDR4-1866/2133, up to 32GB 7th gen: 2 x 260-pin SO-DIMM DDR4-2133/2400, up to 32GB |
| Chipset | Intel® Q170 |
| BIOS | AMI |
| System I/O Outlet | 2 x RS-232/422/485 (onboard) 2 x RS-232/422/485 (via cable on flexible IO window) 2 x HDMI (1 x HDMI 2.0 & 1 x HDMI 1.4b) 1 x DisplayPort 1 x Audio (Mic-in/Line-out) 4 x 10/100/1000 Mbps Ethernet (Intel® i210-IT, i219-LM) 6 x USB 3.0 & 2 x USB 2.0 32-channel programmable DI/DO 4 x Antenna opening 1 x Phoenix type VDC power input connector 1 x ATX power switch 1 x Remote power switch 1 x AT/ATX quick switch 1 x Reset switch connector 1 x Flexible I/O window (default : 2 x COM port) |
| Watchdog Timer | 255 levels, 1 to 255 sec. |
| Storage | 2 x 2.5" SATA HDD drive bay (max. up 15 mm height & RAID 0 & 1) 1 x CFast™ 1 x mSATA (enabled in BIOS setting) |
| Expansion Interface | 2 x Full-size PCI Express Mini Card slot (USB + PCI Express signal) 1 x SIM slot |
| System Indicator | 1 x Green LED for power-on 1 x Yellow LED for HDD active 4 x Green LED for programmable |

Specifications

| | |
|-----------------------|--|
| TPM | N/A |
| Power Input | 9 to 36 VDC |
| Operating Temperature | -40°C to +60°C (-40°F to +140°F) (with W.T. DRAM/SSD for Skylake) -40°C to +55°C (-40°F to +131°F) (with W.T. DRAM/SSD for Kaby Lake) |
| Humidity | 10%- 95%, non-condensing |
| Vibration Endurance | 3 Grms with SSD (5 to 500 Hz, X, Y, Z directions) |
| Dimensions | 280 mm (11.02") (W) x 190 mm (7.48") (D) x 76 mm (2.99") (H) |
| Weight (net/gross) | 3.8 kg (8.37 lb)/4.6 kg (10.14 lb) |
| Certifications | UL62368-1, CE, FCC Class A, UKCA |
| EOS Support | WE8S, Win 10 IoT, Linux |
| Software Support | AMS.AXView |

* W.T.: Wide Temperature. All W.T. supported products have to be sorted by Axiomtek.

Packing List

1 x Screw pack
4 x Pre-installed foot pad
1 x Terminal block connector
1 x Remote switch cable
2 x HDD bracket
1 x CPU thermal pad

Power Protection

DC Version

OVP (over voltage protection)
UVP (under voltage protection)
OCP (over current protection)
SCP (short circuit protection)
Reverse protection

Ordering Information

Standard

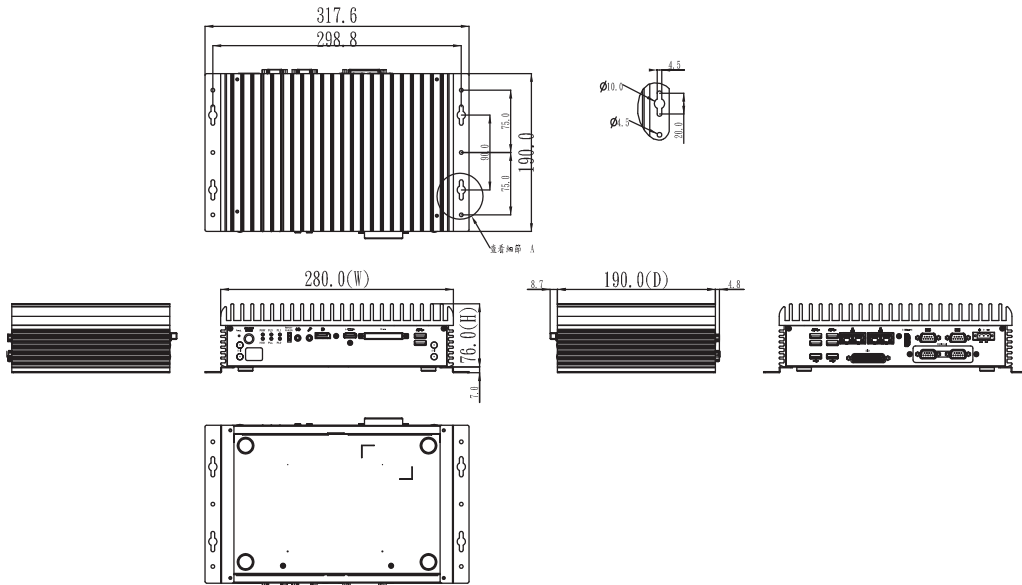
| | |
|--|--|
| eBOX670-891-FL-DC- Flexible IO (P/N: E36K670105) | Fanless embedded system with LGA1151 socket 7th/6th gen Intel® Core™ i7/i5/i3 & Celeron® processor, Intel® Q170, 2 HDMI, DisplayPort, 4 GbE LAN, 8 USB, CFast™, dual PCI Express Mini Card slots and 9 to 36 VDC |
|--|--|

Optional

| | |
|---------------|--|
| 2.5" SATA HDD | 64GB or above |
| 2.5" SATA SSD | 100GB or above |
| DDR4 SO-DIMM | 8GB to 16GB |
| CFast™ | 64GB (W.T.) |
| | Wi-Fi/LTE module |
| 8816K6701AOE | Wall mount kit |
| 8816K6702AOE | DIN-rail kit |
| 509000001500 | 24V 120W power adapter Power cord |
| E392903102 | AX92903 CANbus PCI Express Mini module |
| E392902103 | AX92902 LAN PCI Express Mini module |
| E392904102 | AX92904 DIO PCI Express Mini module |
| E392905103 | AX92905 Audio PCI Express Mini module |
| E392918103 | AX92918 Dual LAN PCI express Mini module |

* Specifications and certifications may vary based on different requirements.

Dimensions



eBOX640A NEW

Fanless Embedded System with LGA1700 12th generation Intel® Core™ i7/i5/i3 or Celeron® processor, Intel® H610, 4 COM, 2 LANs, 2 HDMI, 4 USB, 8-CH DIO



Features

- LGA1700 Intel® Core™ i7/i5/i3 or Celeron® processor (Alder Lake-S)
- Intel®UHD Graphics 770 by Intel®Xe Architecture with up to 32 graphics
- 4-CH DI and 4-CH DO
- 2 HDMI for Dual Display Outputs



Specifications

| | |
|---------------------|---|
| Standard Color | Silver |
| Construction | Aluminum extrusion and heavy-duty steel, IP40 |
| CPU | LGA1700 12th generation Intel® Core™ i7/i5/i3 or Celeron® processor (TDP up to 35W) |
| System Memory | 2 x 260-pin DDR4-3200/2666/2400 SO-DIMM, up to 64GB |
| Chipset | Intel® H610 |
| BIOS | AMI |
| System I/O Outlet | 1 x RS-232/422/485 (COM1) 3 x RS-232 (COM2-4) 2 x 10/100/1000Mbps Ethernet (Intel® i219V, i225V) 2 x USB 3.2 Gen1 2 x USB 2.0 1 x Audio (Line-out) 2 x HDMI 1 x phoenix type power input 1 x 8-CH DIO (4-in/4-out) 3 x SMA-type antenna connector 1 x Flexible I/O window 1 x Power switch 1 x Reset switch connector 1 x ATX/AT quick switch 1 x Remote switch connector |
| Watchdog Timer | 255 levels, 1 to 255 sec. |
| Storage | 1 x 2.5" SATA HDD drive bay (up to 15 mm height) |
| Expansion Interface | 1 x M.2 Key B 2242/3042/3052 (SATA & USB 3.2 Gen1) 1 x M.2 Key E 2230 1 x mini-PCIe (PCIe x1 & USB 2.0) 1 x SIM slot for M.2 Key B |
| TPM | TPM 2.0 |
| System Indicator | 1 x Green for system power 1 x Orange LED for HDD active |
| Power Input | TBC |

Specifications

| | |
|-----------------------|---|
| Operating Temperature | -10°C to +50°C (14°F to 122°F) (with W.T. SSD/DRAM) |
| Humidity | 10% - 90%, non-condensing |
| Vibration Endurance | IEC 60068-2-64 (w/SSD: 3Grms STD, random, 5- 500 Hz, 1 hr/axis) |
| Shock Vibration | IEC 60068-2-27 (w/SSD: 50G, half sine, 11 ms duration) |
| Dimensions | 195 mm (7.67") (W) x 210.6 mm (8.27") (D) x 80 mm (3.14") (H) |
| Weight (net/gross) | 3 kg (6.61 lb)/3.6 kg (7.94 lb) |
| Certifications | CE, FCC Class A, UKCA |
| EOS Support | Win 10 IoT, Win 11 IoT, Linux |

* W.T.: Wide Temperature. All W.T. supported products have to be sorted by Axiomtek.

Packing List

1 x Screws pack
4 x Foot pad

Power Protection

AC to DC Adapter

SCP (short circuit protection)
OVP (over voltage protection)

Ordering Information

Standard

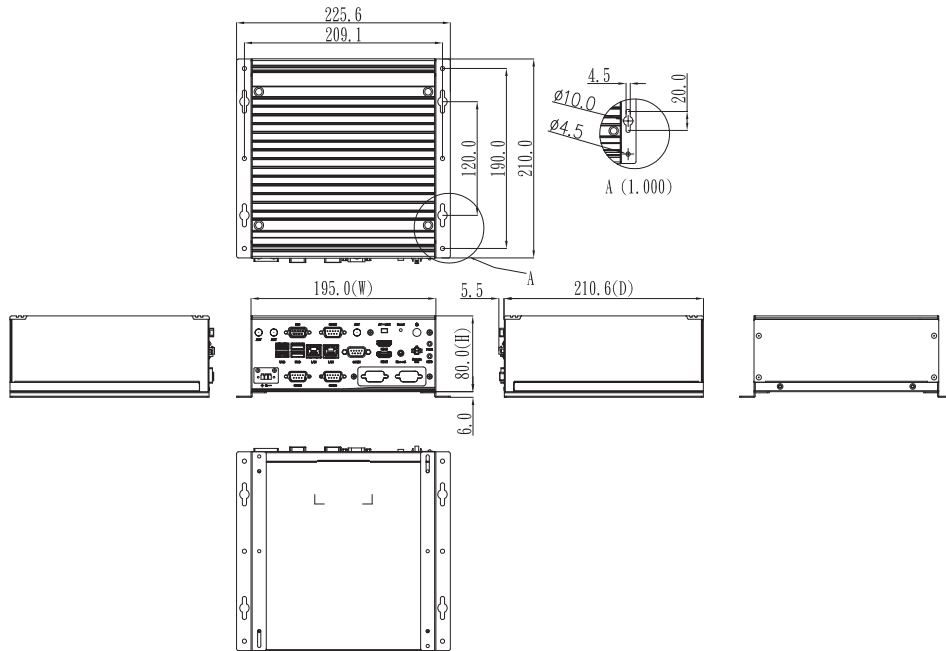
| | |
|--------------|---|
| eBOX640A-ALD | Fanless Embedded System with LGA1700 12th generation Intel® Core™ i7/i5/i3 or Celeron® processor, Intel® H610, 4 COM, 2 LANs, 2 HDMI, 4 USB, 8-CH DIO |
|--------------|---|

Optional

| | |
|---------------|--|
| 2.5" SATA HDD | 64GB or above |
| 2.5" SATA SSD | 100GB or above |
| DDR4 SO-DIMM | 8GB to 32GB |
| 8816K6718A0E | Wall mount kit |
| 886K64010A0E | DIN-rail kit |
| | Wi-Fi/LTE module |
| | Power cord |
| E392903102 | AX92903 CAN Bus PCI Express Mini module |
| E392902103 | AX92902 LAN PCI Express Mini module |
| E392906101 | AX92906 COM PCI Express Mini module |
| E392905103 | AX92905 Audio PCI Express Mini module |
| E392918103 | AX92918 Dual LAN PCI Express Mini module |

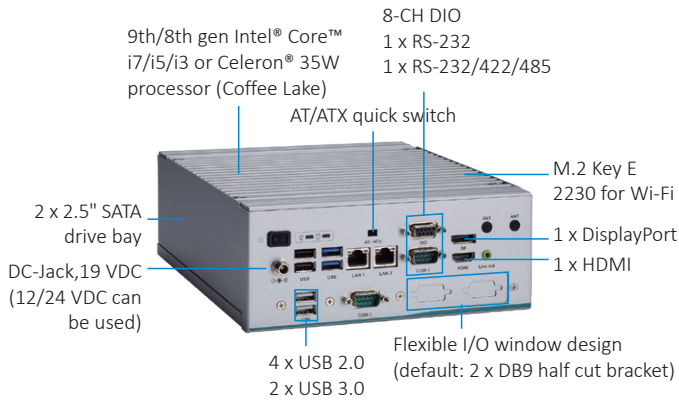
* Specifications and certifications may vary based on different requirements.

Dimensions



eBOX640-521-FL

Fanless Embedded System with LGA1151 Socket 9th/8th Gen Intel® Core™ or Celeron® Processor, Intel® H310, HDMI, DisplayPort, 6 USB, 2 COM, and 8-CH DI/DO



Features

- LGA1151 socket 9th/8th gen Intel® Core™ i7/i5/i3 or Celeron® processor (Coffee Lake)
- Supports 2 COM, 6 USB, and 8-CH DI/DO
- Two 2.5" SATA drive bay
- M.2 Key E 2230 for Wi-Fi
- Front I/O connectivity design
- Supports flexible I/O window



Specifications

| | |
|---------------------|--|
| Standard Color | Silver |
| Construction | Aluminum extrusion and heavy-duty steel, IP40 |
| CPU | LGA1151 socket 9th/8th gen Intel® Core™ i7/i5/i3 or Celeron® processor (CPU TDP max. up to 35W) |
| System Memory | 2 x 260-pin DDR4-2400 SO-DIMM, up to 64GB |
| Chipset | Intel® H310 |
| BIOS | AMI |
| System I/O Outlet | 1 x RS-232/422/485 1 x RS-232 2 x 10/100/1000Mbps Ethernet (Intel® i219V-LM, i211-AT) 2 x USB 3.0 4 x USB 2.0 1 x Audio (Line-out) 1 x DisplayPort 1 x HDMI 1 x DC-jack power input 1 x 8-CH DIO (4-in/4-out) 4 x Antenna opening 1 x Flexible I/O window |
| Watchdog Timer | 255 levels, 1 to 255 sec. |
| Storage | 2 x 2.5" SATA HDD drive bay (up to 15 mm height) |
| Expansion Interface | 1 x Full-size PCI-Express Mini Card slot (PCIe + SATA + USB) 1 x M.2 Key E 2230 (for Wi-Fi) |
| TPM | TPM 2.0 |
| System Indicator | 1 x Green for system power 1 x Orange LED for HDD active |
| Power Input | 19 VDC, 6.32A (12V, 24V DC can be used by option adapter) |

Specifications

| | |
|-----------------------|---|
| Operating Temperature | -10°C to +50°C (14°F to 122°F) (with W.T. SSD/DRAM) |
| Humidity | 10%- 90%, non-condensing |
| Vibration Endurance | IEC 60068-2-64 (w/SSD: 3Grms STD, random, 5- 500 Hz, 1 hr/axis) |
| Shock Vibration | IEC 60068-2-27 (w/SSD: 50G, half sine, 11 ms duration) |
| Dimensions | 195 mm (7.67") (W) x 210.6 mm (8.27") (D) x 80 mm (3.14") (H) |
| Weight (net/gross) | 3 kg (6.61 lb)/3.6 kg (7.94 lb) |
| Certifications | CE, FCC Class A, UKCA |
| EOS Support | Win 10 IoT, Linux |

* W.T.: Wide Temperature. All W.T. supported products have to be sorted by Axiomtek.

Packing List

1 x Screws pack
4 x Foot pad
2 x HDD bracket
2 x DRAM Thermal pad

Power Protection

AC to DC Adapter

SCP (short circuit protection)
OVP (over voltage protection)

Ordering Information

Standard

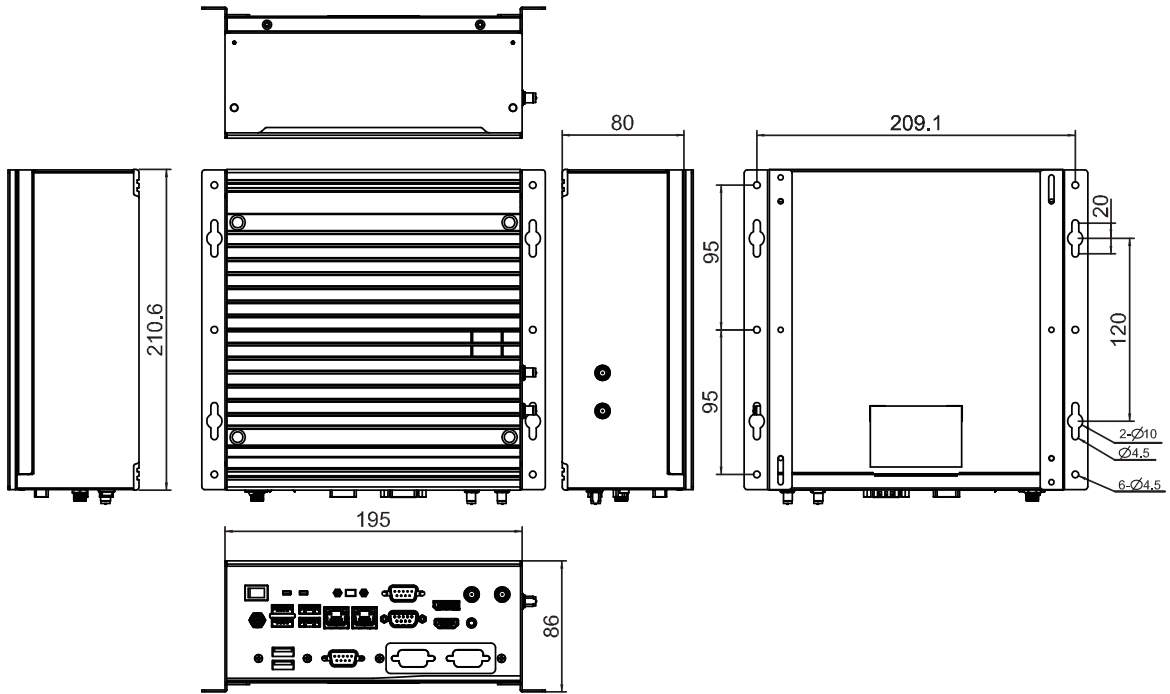
| | |
|--|--|
| eBOX640-521-FL-DC (P/N: E36K640103) | Fanless embedded system with LGA1151 9th/8th gen Intel® Core™ i7/i5/i3 or Celeron® processor, Intel® H310, HDMI, DisplayPort, 6 USB, 2 COM, M.2 slot, and 19 VDC |
|--|--|

Optional

| | |
|---------------|--|
| 2.5" SATA HDD | 64GB or above |
| 2.5" SATA SSD | 100GB or above |
| DDR4 SO-DIMM | 8GB to 32GB |
| 8816K6718A0E | Wall mount kit |
| 886K64010A0E | DIN-rail kit |
| | WiFi/LTE module |
| 5095AD24000E | 19V 120W power adapter Power cord |
| E392903102 | AX92903 CAN Bus PCI Express Mini module |
| E392902103 | AX92902 LAN PCI Express Mini module |
| E392906101 | AX92906 COM PCI Express Mini module |
| E392905103 | AX92905 Audio PCI Express Mini module |
| E392918103 | AX92918 Dual LAN PCI Express Mini module |

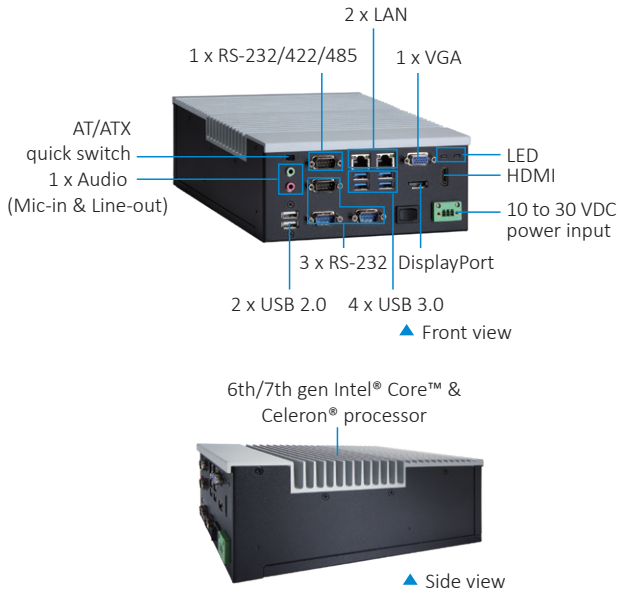
* Specifications and certifications may vary based on different requirements.

Dimensions



eBOX640-500-FL

Fanless Embedded System with LGA1151 Socket 7th/6th Gen Intel® Core™ & Celeron® Processor, Intel® H110, HDMI, DisplayPort, VGA, 6 USB, 4 COM, PCI Express Mini Card Slot, and 10 to 30 VDC



Features

- LGA1151 socket 7th/6th gen Intel® Core™ i7/i5/i3 & Celeron® processor (Kaby Lake/Skylake)
- Supports 4 COM, 6 USB and 2 GbE LAN
- Two 2.5" SATA drive bay
- PCI Express Mini Card slot and SIM slot
- Front I/O connectivity design
- 10 to 30 VDC wide range power input



Specifications

| | |
|---------------------|---|
| Standard Color | Silver-black |
| Construction | Aluminum extrusion and heavy-duty steel, IP40 |
| CPU | 7th/6th gen Intel® Core™ i7/i5/i3 & Celeron® processor (CPU TDP max. up to 35W) |
| System Memory | 2 x 288-pin DDR4-2133 DIMM, up to 32GB |
| Chipset | Intel® H110 |
| BIOS | AMI |
| System I/O Outlet | 1 x RS-232/422/485 3 x RS-232 2 x 10/100/1000Mbps Ethernet (Intel® i219-LM, i211-AT) 2 x USB 2.0 4 x USB 3.0 1 x Audio (Mic-in/Line-out) 1 x DisplayPort 1 x HDMI 1 x VGA 1 x Phoenix type VDC power input connector 1 x AT/ATX quick switch 2 x Antenna opening 1 x ATX power switch |
| Watchdog Timer | 255 levels, 1 to 255 sec. |
| Storage | 2 x 2.5" SATA HDD drive bay (max. up 15 mm height) 1 x mSATA (enabled in BIOS setting) |
| Expansion Interface | 1x Full-size PCI Express Mini Card slot with mSATA supported (PCI Express + USB signal) 1 x SIM slot |
| TPM | N/A |
| System Indicator | 1 x Green for system power 1 x Orange LED for HDD active |
| Power Input | 10 to 30 VDC |

Specifications

| | |
|-----------------------|--|
| Operating Temperature | -10°C to +55°C (+14°F to +131°F) (with W.T. DRAM/ SSD for Skylake) -10°C to +50°C (+14°F to +122°F) (with W.T. DRAM/ SSD for Kaby Lake) |
| Humidity | 10% - 90%, non-condensing |
| Vibration Endurance | 2 Grms with SSD (5 to 500 Hz, X, Y, Z directions) |
| Dimensions | 182 mm (7.16") (W) x 235.7mm (9.27") (D) x 82 mm (3.23") (H) |
| Weight (net/gross) | 3 kg (6.61 lb)/3.6 kg (7.94 lb) |
| Certifications | CE, UKCA |
| EOS Support | Win 10 IoT, WE8S Linux |

* W.T.: Wide Temperature. All W.T. supported products have to be sorted by Axiomtek.

Packing List

1 x Screw pack
4 x Pre-installed foot pad
1 x 3-pin terminal block connector

Power Protection

DC Version

OCP (over current protection)
UVP (under voltage protection)

Ordering Information

Standard

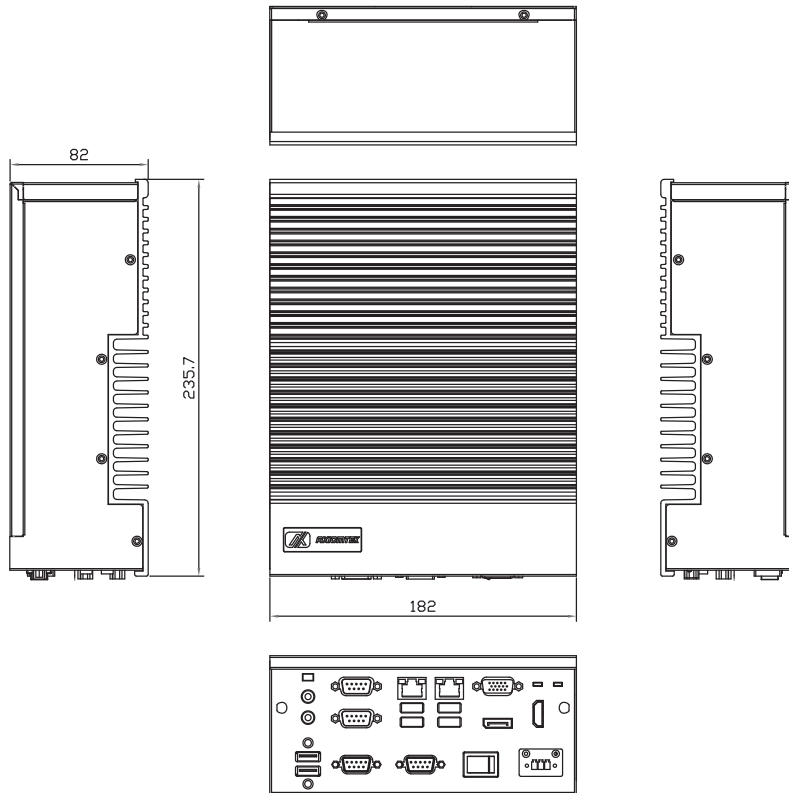
| | |
|--|---|
| eBOX640-500-FL-DC (P/N: E36K640100) | Fanless embedded system with LGA1151 7th/6th gen Intel® Core™ i7/i5/i3 & Celeron® processor, Intel® H110, HDMI, DisplayPort, VGA, 4 USB 3.0, 4 COM, PCI Express Mini Card slot and 10 to 30 VDC |
|--|---|

Optional

| | |
|---------------|--------------------------------------|
| 2.5" SATA HDD | 64GB or above |
| 2.5" SATA SSD | 100GB or above |
| DDR4 RAM | 8GB to 16GB |
| mSATA | 64MB or above |
| 8816K6400AOE | Wall mount kit |
| 8816K6401AOE | DIN-rail kit |
| | Wi-Fi/LTE module |
| 509000001500 | 24V 120W power adapter Power cord |

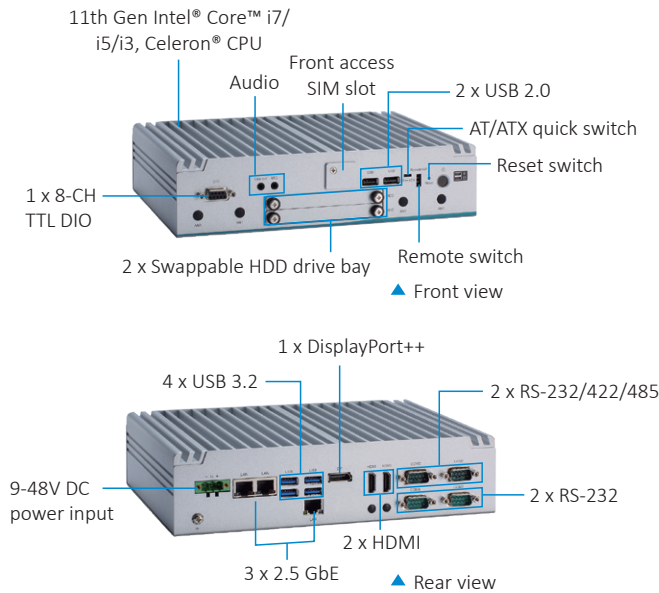
* Specifications and certifications may vary based on different requirements.

Dimensions



eBOX630A NEW

Fanless Embedded System with 11th Gen Intel® Core™ i7/i5/i3 or Celeron® Processor, 2 HDMI, 1 DisplayPort, 3 LANs, 6 USB, 4 COM, and 9 to 48 VDC



Features

- 11th gen Intel® Core™ i7/i5/i3 or Celeron® Quad-core ULT processor (Tiger Lake UP3)
- Dual-channel DDR4-3200 SO-DIMM for up to 64GB of memory
- Supports 3 2.5 GbE, 6 USB, 4 COM
- -40°C to +60°C wide operating temperatures
- 9 to 48 VDC wide range DC power input
- Supports triple displays with 2 HDMI, and 1 DisplayPort++
- Intel® Iris® Xe integrated graphics (i7 & i5 SKUs)
- Trusted platform module (TPM 2.0 onboard)



Specifications

| | | |
|-----------------------|--|---|
| Standard Color | Silver | |
| Construction | Aluminum extrusion and heavy-duty steel, IP40 | |
| CPU | Intel® Core™ i7-1185G7E/i5-1145G7E/i3-1115G4E or Celeron® 6305E (TDP up to 15W) | |
| System Memory | 2 x 260-pin DDR4-3200 SO-DIMM, up to 64GB | |
| Chipset | SoC integrated | |
| BIOS | AMI | |
| System I/O Outlet | Front side 2 x USB 2.0 1 x 8-CH TTL DIO via DB9 female (4-in/4-out) 1 x Phoenix type VDC power input connector 1 x ATX power switch 1 x Remote power switch 1 x Reset switch connector 1 x AT/ATX quick switch 1 x Front access SIM slot 4 x Antenna opening | Rear side 2 x RS-232/422/485 2 x RS-232 4 x USB 3.2 Gen1 2 x HDMI 1.4b 1 x DisplayPort++ 1.4a 2 x 10/100/1000/2500 Mbps Ethernet (Intel® i226-IT) 1 x 10/100/1000/2500 Mbps Ethernet (Intel® i226-LM) |
| Watchdog Timer | 255 levels, 1 to 255 sec. | |
| Storage | 2 x 2.5" swappable SSD/HDD drive bay (max. up 9.5 mm height; RAID 0,1 supported) | |
| Expansion Interface | 1 x Full-size PCI Express Mini Card (USB + PCIe signal) 1 x M.2 Key E 2230 (for WiFi) 1 x NVMe M.2 Key M 2280 (PCIe x 4 only) | |
| TPM | TPM 2.0 | |
| System Indicator | 1 x Green LED for system power-on 1 x Orange LED for HDD/SSD active | |
| Power Input | 9 to 48 VDC | |
| Operating Temperature | -40°C to +60°C (-40°F to +140°F) with 0.5 m/s air flow (with W.T. DRAM & SSD,CPU TDP 15W) | |
| Humidity | 10%- 95%, non-condensing | |
| Shock Vibration | IEC 60068-2-27 (with SSD: 50G, half sine, 11 ms duration) | |

Specifications

| | |
|---------------------|--|
| Vibration Endurance | IEC 60068-2-64 (with SSD: 3Grms STD, random, 5 to 500 Hz, 1 hr/axis) |
| Package Vibration | MIL-STD-810G 514.6C-II compliance |
| Dimensions | 250 mm (9.84") (W) x 170 mm (6.69") (D) x 60 mm (2.36") (H) |
| Weight (net/gross) | 2.4 kg (5.29 lb)/3.2 kg (7.0 lb) |
| Certifications | CE, FCC Class A, UKCA |
| EOS Support | Win 10 IoT, Win 11 IoT, Linux |

*W.T.: Wide Temperature. All W.T. supported products have to be sorted by Axiomtek.

Packing List

4 x DRAM Thermal Pad
1 x DRAM Bracket
1 x Remote power switch Cable
1 x 3-pin Terminal block connector
4 x pre-installed Foot Pad
1 x Screw pack
1 x M.2 Bracket
1 x M.2 Thermal pad

Power Protection

DC Version

OVP (over voltage protection)
UVP (under voltage protection)
SCP (short circuit protection)
OCP (over current protection)
Reverse protection

Ordering Information

Standard

| | |
|------------------|--|
| eBOX630A-11U-i7 | Fanless embedded system with Intel® Core™ i7-1185G7E, 2 HDMI, 1 DisplayPort, 3x 2.5GbE LANs, 6 USB, 4 COM, and 9 to 48 VDC |
| eBOX630A-11U-i5 | Fanless embedded system with Intel® Core™ i5-1145G7E, 2 HDMI, 1 DisplayPort, 3x 2.5GbE LANs, 6 USB, 4 COM, and 9 to 48 VDC |
| eBOX630A-11U-i3 | Fanless embedded system with Intel® Core™ i3-1115G4E, 2 HDMI, 1 DisplayPort, 3x 2.5GbE LANs, 6 USB, 4 COM, and 9 to 48 VDC |
| eBOX630A-11U-CEL | Fanless embedded system with Intel® Celeron® 6305E, 2 HDMI, 1 DisplayPort, 3x 2.5GbE LANs, 6 USB, 4 COM, and 9 to 48 VDC |

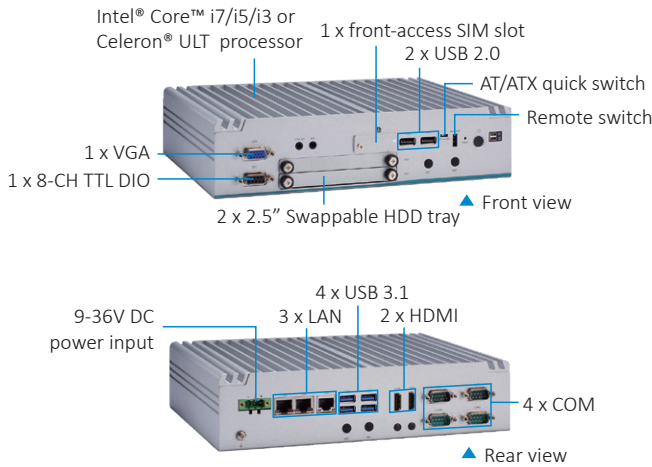
Optional

| | |
|---------------|---|
| 2.5" SATA HDD | 256GB or above |
| 2.5" SATA SSD | 100GB or above |
| DDR4 SO-DIMM | 8GB to 32GB |
| 881606302A0E | Wall mount kit |
| 886K630A0A0E | DIN-rail kit |
| 509000001500 | 24V 120W power adapter Power cord WiFi/LTE module |

*Specifications and certifications may vary based on different requirements.

eBOX630-528-FL

Fanless Embedded System with 8th Gen Intel® Core™ i7/i5/i3 or Celeron® ULT Processor, 2 HDMI, 1 VGA, 3 GbE LAN, 6 USB, Dual PCI Express Mini Card Slots, and 9 to 36 VDC



Features

- 8th gen Intel® Core™ i7/i5/i3 or Celeron® ULT processor (Whiskey Lake-U)
- Dual-channel DDR4 2400 SO-DIMM for up to 64GB of memory
- Supports 2 HDMI, VGA, 3 GbE LAN, 4 COM, and 6 USB
- Trusted platform module (TPM 2.0 onboard)
- Fanless-40°C to +70°C* operating temperature
- 9 to 36 VDC wide range DC power input
- Hailo-8™ AI acceleration modules compatible**

*-40°C to +70°C operating temp. at 0.7 m/s air flow

** 0°C to +50°C operating temp. with Hailo-8™ AI acceleration module



Specifications

| | |
|---------------------|--|
| Standard Color | Silver |
| Construction | Aluminum extrusion and heavy-duty steel, IP40 |
| CPU | Intel® Core™ i7-8665UE/i5-8365UE/i3-8145UE or Celeron® 4305UE (TDP up to 15W) |
| System Memory | 2 x 260-pin DDR4-2400 SO-DIMM, up to 64GB |
| Chipset | SoC integrated |
| BIOS | AMI |
| System I/O Outlet | 2 x RS-232/422/485 (COM1/2) 2 x RS-232 (COM3/4) 2 x HDMI (lockable) 1 x VGA 3 x 10/100/100 Mbps Ethernet (1 x Intel® i219LM, 2 x Intel® i210IT) 2 x USB 3.1 Gen2 2 x USB 3.1 Gen1 2 x USB 2.0 1 x 8-CH TTL DIO via DB9 female 1 x Phoenix type VDC power input connector 1 x Audio (Mic-in/Line-out) 1 x ATX power switch 1 x AT/ATX quick switch 1 x Remote power switch 1 x Reset switch connector 1 x Front-access SIM slot 4 x Antenna opening |
| Watchdog Timer | 255 levels, 1 to 255 sec. |
| Storage | 2 x 2.5" swappable HDD drive bay (max. up 9.5 mm height) 1 x mSATA (enabled in BIOS setting) |
| Expansion Interface | 2 x Full-size PCI Express Mini Card Slot A (USB + PCIe signal) Slot B (USB + PCIe + SATA signal) |
| TPM | TPM 2.0 |
| System Indicator | 1 x Green LED for system power-on 1 x Orange LED for HDD/SSD active |
| Power Input | 9 to 36 VDC |

Specifications

| | |
|-----------------------|---|
| Operating Temperature | -40°C to +70°C (-40°F to +158°F) with 0.7 m/s air flow -40°C to +65°C (-40°F to +149°F) with 0.5 m/s air flow (with W.T. DRAM & SSD,CPU TDP 15W) |
| Humidity | 10%- 95%, non-condensing |
| Shock Vibration | IEC 60068-2-27 (with SSD: 50G, half sine, 11 ms duration) |
| Vibration Endurance | IEC 60068-2-64 (with SSD: 3Grms STD, random, 5 to 500 Hz, 1 hr/axis) |
| Dimensions | 250 mm (9.84") (W) x 170 mm (6.69") (D) x 60 mm (2.36") (H) |
| Weight (net/gross) | 2.4 kg (5.29 lb)/3.2 kg (7.0 lb) |
| Certifications | CE, FCC Class A, UKCA |
| EOS Support | Win 10 IoT, Win 11 IoT , Linux |
| Software Support | AXView |

* W.T.: Wide Temperature. All W.T. supported products have to be sorted by Axiomtek.

Packing List

2 x DRAM Thermal Pad
1 x DRAM Bracket
1 x Remote Switch Cable
1 x 3-pin phoenix connector
4 x Foot Pad
1 x Screw Pack

Power Protection

DC Version

OVP (over voltage protection)
UVP (under voltage protection)
SCP (short circuit protection)

Ordering Information

Standard

| | |
|--|--|
| eBOX630-528-FL-8665UE (P/N: E360630125) | Fanless embedded system with Intel® Core™ i7-8665UE, 2 HDMI, 1 VGA, 3 GbE LAN, 6 USB, and 9 to 36 VDC |
| eBOX630-528-FL-8365UE (P/N: E360630126) | Fanless embedded system with Intel® Core™ i5-8365UE, 2 HDMI, 1 VGA, 3 GbE LAN, 6 USB, and 9 to 36 VDC |
| eBOX630-528-FL-8145UE (P/N: E360630127) | Fanless embedded system with Intel® Core™ i3-8145UE, 2 HDMI, 1 VGA, 3 GbE LAN, 6 USB, and 9 to 36 VDC |
| eBOX630-528-FL-4305UE (P/N: E360630128) | Fanless embedded system with Intel® Core™ Celeron 4305UE, 2 HDMI, 1 VGA, 3 GbE LAN, 6 USB, and 9 to 36 VDC |

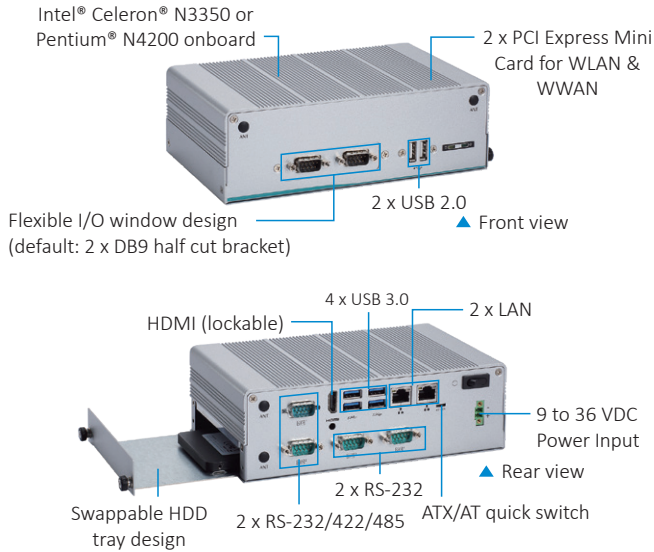
Optional

| | |
|---------------|--|
| 2.5" SATA HDD | 256GB or above |
| 2.5" SATA SSD | 100GB or above |
| DDR4 SO-DIMM | 8GB to 32GB |
| mSATA | 64GB or above |
| 881606302A0E | Wall mount kit |
| 886K630A0A0E | DIN-rail kit |
| 509000001500 | 24V 120W power adapter Power cord |
| E9C3000008 | Wi-Fi/LTE module Hailo VPU PCIe Mini Card AI module HMP1RB1C2GA |

* Specifications and certifications may vary based on different requirements.

eBOX627-312-FL

Fanless Embedded System with Intel® Celeron® N3350 2.4 GHz or Pentium® N4200 2.5 GHz, HDMI, 2 GbE LAN, 6 USB, 4 COM, and 9 to 36 VDC



Features

- Intel® Celeron® N3350 or Pentium® N4200 onboard
- 204-pin DDR3L-1866 SO-DIMM for up to 8GB of memory
- Support HDMI, 2 GbE LAN, 4 COM and 6 USB
- Supports flexible I/O window
- Trusted Platform Module (TPM) 2.0
- -20°C to +70°C operating temperature range
- 9 to 36 VDC wide range DC input
- AXView 2.0 intelligent remote monitoring software for IIoT



Specifications

| | |
|---------------------|--|
| Standard Color | Silver |
| Construction | Aluminum extrusion and heavy-duty steel, IP40 |
| CPU | Intel® Celeron® Processor N3350 2.4 GHz Intel® Pentium® Processor N4200, 2.5 GHz |
| System Memory | 1 x 204-pin DDR3L-1866 SO-DIMM, up to 8GB |
| Chipset | SoC integrated |
| BIOS | AMI |
| System I/O Outlet | 2 x RS-232/422/485 2 x RS-232 1 x HDMI (lockable) 2 x 10/100/1000 Mbps Ethernet (Intel® I211-AT) 2 x USB 2.0 4 x USB 3.0 4 x Antenna opening 1 x Phoenix type VDC power input connector 1 x AT/ATX switch 1 x ATX power switch 1 x Flexible I/O Window (default: 2 x DB9 half cut bracket) |
| Watchdog Timer | 65536 levels, 1 to 65535 sec. |
| Storage | 1 x 2.5" SATA HDD bay (up to 9.5 mm height) 1 x mSATA (enabled in BIOS setting) |
| Expansion Interface | 2 x Full-size PCI Express Mini Card slot (USB + PCIe signal) 1 x SIM slot |
| TPM | TPM 2.0 |
| System Indicator | 1 x Green LED for system power-on 1 x Yellow LED for HDD/SSD active |
| Power Input | 9 to 36 VDC |

Specifications

| | | |
|-----------------------|---|--|
| Operating Temperature | Turbo Mode | -20°C to +65°C (-4°F to +149°F) (with W.T. SSD/DRAM for 9 to 36 VDC) (default) |
| | Non-turbo Mode | -20°C to +70°C (-4°F to +158°F) (with W.T. SSD/DRAM for 12 or 24 VDC) |
| Humidity | 10% - 95%, non-condensing | |
| Shock | IEC 60068-2-27 (with SSD: 50G, half sine, 11 ms duration) | |
| Dimensions | 200 mm (7.87") (W) x 120 mm (4.72") (D) x 65 mm (2.55") (H) | |
| Weight (net/gross) | 1.38 kg (3.04 lb)/2.08 kg (4.59 lb) | |
| Certifications | CE, FCC Class A, UKCA | |
| EOS support | Win 10 IoT, Linux | |
| Software Support | AXView | |

* W.T.: Wide Temperature. All W.T. supported products have to be sorted by Axiomtek.

Packing List

1 x Screws pack
 1 x DRAM thermal pad
 4 x Pre-installed foot pad
 1 x 2-pin terminal block connector

Power Protection

AC Version

OVP (over voltage protection)
 UVP (under voltage protection)
 SCP (short current protection)

Ordering Information

Standard

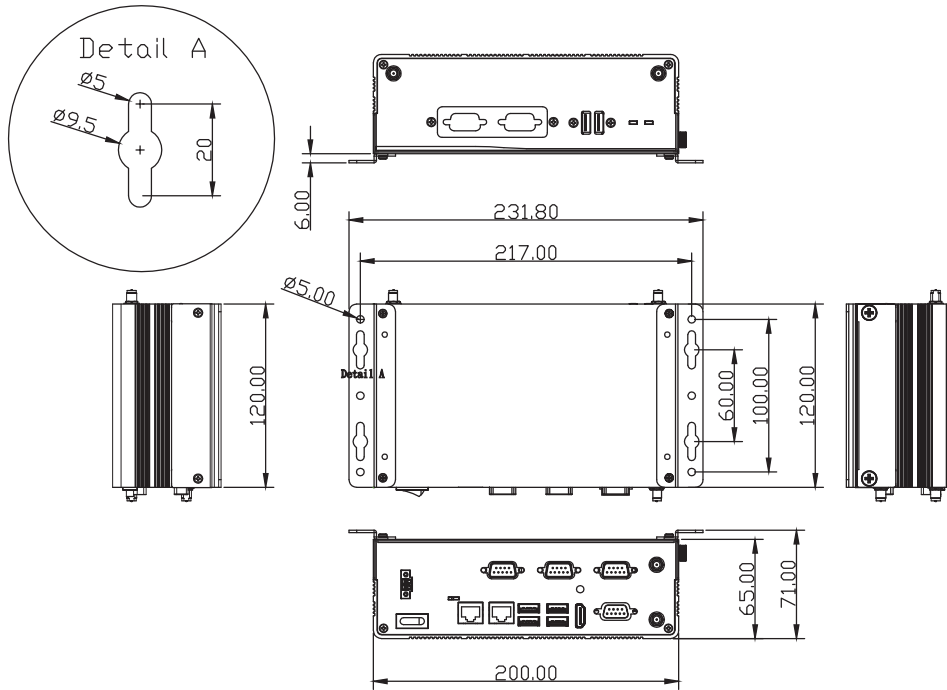
| | |
|--|--|
| eBOX627-312-FL-DC-N3350 (P/N: E36K627100) | Fanless embedded system with Intel® Celeron® N3350 2.4 GHz, 1 HDMI, 2 GbE LAN, 6 USB, 4 COM, and 9 to 36 VDC |
| eBOX627-312-FL-DC-N4200 (P/N: E36K627101) | Fanless embedded system with Intel® Celeron® N4200 2.5 GHz, 1 HDMI, 2 GbE LAN, 6 USB, 4 COM, and 9 to 36 VDC |

Optional

| | |
|---------------|--|
| 2.5" SATA HDD | 64GB or above |
| 2.5" SATA SSD | 100GB or above |
| DDR3L SO-DIMM | 2GB to 8GB |
| mSATA | 64GB or above |
| 8816K6271A0E | Wall mount Kit |
| 886K62613A0E | VESA mount kit |
| 886K62614A0E | DIN-rail kit |
| 509000001500 | 24V 120W power adapter |
| | Power cord |
| | Wi-Fi/LTE module |
| E392903102 | AX92903 CANbus PCI Express Mini module |
| E392902103 | AX92902 LAN PCI Express Mini module |
| E392906101 | AX92906 COM PCI Express Mini module |
| E392904102 | AX92904 DIO PCI Express Mini module |
| E392918103 | AX92918 Dual LAN PCI express Mini module |

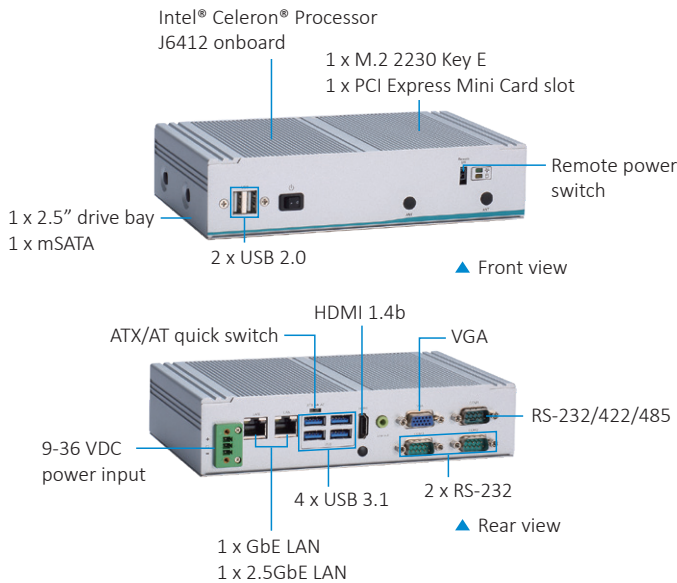
* Specifications and certifications may vary based on different requirements.

Dimensions



eBOX626A NEW

Fanless Embedded System with Intel® Celeron J6412 2.0 GHz, HDMI, VGA, 6 USB, 2 LAN, 3 COM, and 9 to 36 VDC



Features

- Intel® Celeron® Processor J6412 quad-core onboard
- -10 °C to +60 °C operating temperature
- 1 HDMI and 1 VGA for dual-view display
- Trusted Platform Module (TPM) 2.0 onboard
- M.2 Key E for WiFi/WiFi 6 connection
- 9-36 VDC Wide range power input



Specifications

| | |
|---------------------|--|
| Standard Color | Silver |
| Construction | Aluminum extrusion and heavy-duty steel, IP40 |
| CPU | Intel® Celeron® processor J6412, up to 10W |
| System Memory | 1 x 260-pin DDR4-3200 SO-DIMM, up to 32GB |
| Chipset | SoC integrated |
| BIOS | AMI |
| System I/O Outlet | 1 x Audio (Line-out) 1 x HDMI 1.4b (lockable) 1 x VGA 1 x RS-232/422/485 (COM1) 2 x RS-232 (COM2/3) 4 x USB 3.1 Gen2 2 x USB 2.0 1 x 10/100/1000/2500 Mbps Ethernet (Intel® i226-LM) 1 x 10/100/1000 Mbps Ethernet (Intel® i210-AT) 1 x Phoenix type VDC power input connector 1 x ATX power switch 1 x ATX/AT quick switch 1 x Remote power switch 4 x Antenna opening |
| Watchdog Timer | 255 levels, 1 to 255 sec. |
| Storage | 1 x 2.5" SATA HDD drive bay (up to 9.5 mm height) 1 x mSATA (enabled in BIOS setting) |
| Expansion Interface | 1 x Full size internal PCI Express Mini Card slot (mSATA/SIM) (USB + PCIE + SATA) 1 x M.2 2230 Key E (PCIE + USB) |
| TPM | TPM 2.0 |
| System Indicator | 1 x Green LED for system power-on 1 x Yellow LED for HDD/SSD active |
| Power Supply | 9 to 36 VDC |

Specifications

| | |
|-----------------------|--|
| Operating Temperature | -10°C to +60°C (+14°F to +140°F) (with W.T. SSD/DRAM) |
| Humidity | 10% - 95%, non-condensing |
| Shock Vibration | IEC 60068-2-27 (with SSD: 50G, half sine, 11 ms duration) |
| Vibration Endurance | IEC 60068-2-64 (with SSD: 3Grms STD, random, 5 to 500 Hz, 1 hr/axis) |
| Dimensions | 200 mm (7.87") (W) x 120 mm (4.72") (D) x 46 mm (1.81") (H) |
| Weight (net/gross) | 1.2 kg (2.43 lb)/1.8 kg (3.97 lb) |
| Certifications | CE, FCC Class A, UKCA |
| EOS Support | Win10 IoT, Win11 IoT, Linux |

* W.T.: Wide Temperature. All W.T. supported products have to be sorted by Axiomtek.

Packing List

1 x Screws pack
3 x DRAM thermal pad
1 x DRAM thermal pad bracket
1 x Remote power switch cable
4 x Pre-install foot pad
1 x 3-pin terminal block connector

Power Protection

AC Version

OVP (over voltage protection)
UVP (under voltage protection)
SCP (short circuit protection)

Ordering Information

Standard

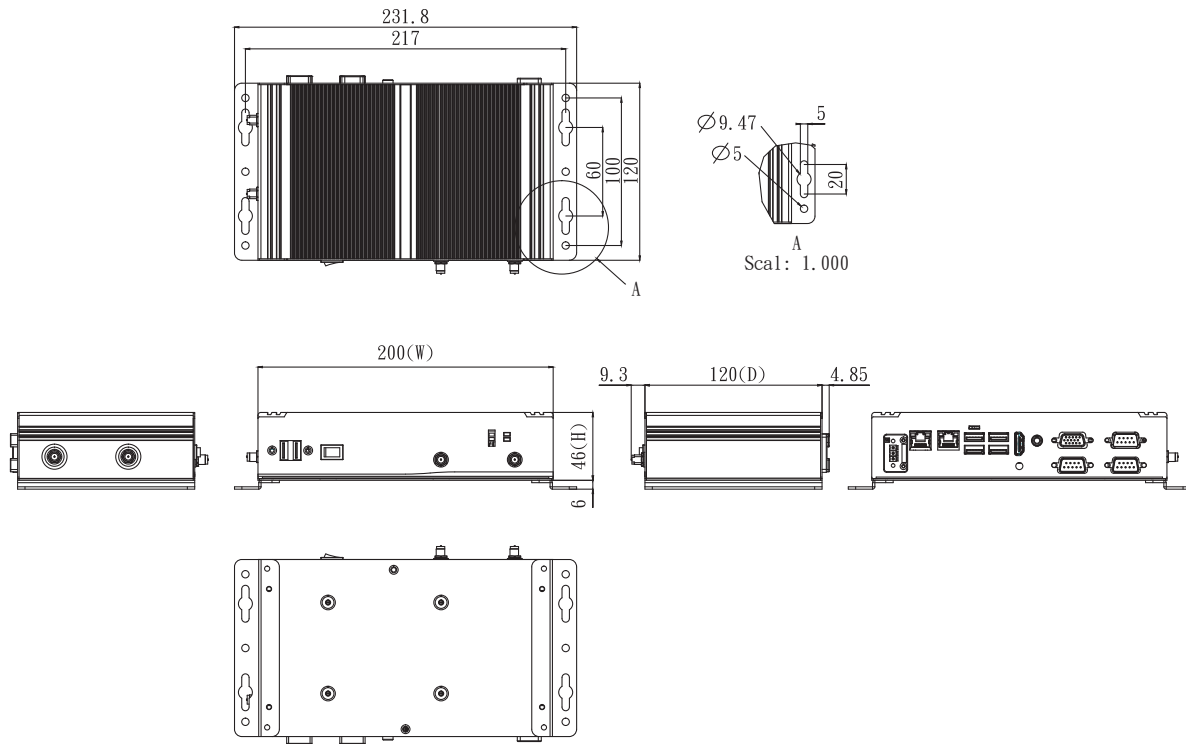
| | |
|-------------------------------------|--|
| eBOX626A-EL-C1 (PN : E36K626A00) | Fanless Embedded System with Intel® Celeron® J6412 2.0 GHz, HDM, VGA, 6 USB, 2 LAN, 3 COM, and 9 to 36 VDC |
|-------------------------------------|--|

Optional

| | |
|---------------|------------------|
| 2.5" SATA HDD | 64GB or above |
| 2.5" SATA SSD | 100GB or above |
| DDR4 SO-DIMM | 8GB to 32GB |
| mSATA | 64MB or above |
| 8816K6271A0E | Wall mount Kit |
| 886K62613A0E | VESA mount kit |
| 886K62614A0E | DIN-rail kit |
| | Wi-Fi/LTE module |

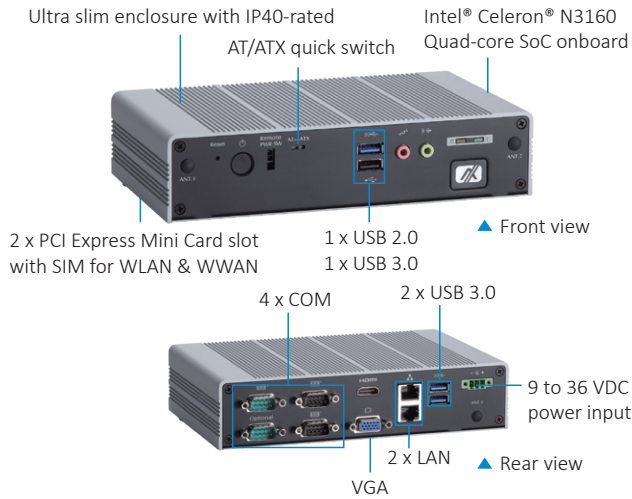
* Specifications and certifications may vary based on different requirements.

Dimensions



eBOX626-853-FL

Fanless Embedded System with Intel® Celeron® Processor N3160, VGA, HDMI, 4 COM, 2 GbE LAN, 4 USB, 2 PCI Express Mini Card Slots, and 9 to 36 VDC



Features

- Intel® Celeron® processor N3160 2.24 GHz (Braswell)
- HDMI and VGA with dual independent displays
- Supports 4 COM and 4 USB
- 2 GbE LAN support WoL, Teaming, and PXE
- 2 PCI Express Mini Card slots for WLAN/WWAN/mSATA
- 9 to 36 VDC wide range power input
- -20°C to +60°C operating temperature range



Specifications

| | |
|---------------------|--|
| Standard Color | Silver-black |
| Construction | Aluminum extrusion and heavy-duty steel, IP40 |
| CPU | Intel® Celeron® processor N3160 2.24 GHz (2M up to 2.24 GHz) |
| System Memory | 1 x 204-pin DDR3L-1333/1600 SO-DIMM, up to 8GB |
| Chipset | SoC integrated |
| BIOS | AMI |
| System I/O Outlet | 2 x 10/100/1000 Mbps Ethernet (Intel® i211-AT) 1 x RS-232/422/485 3 x RS-232 3 x USB 3.0 1 x USB 2.0 1 x Audio (Mic-in/Line-out) 1 x HDMI (4K supported) 1 x VGA 1 x Phoenix type VDC power input connector 1 x ATX power switch 1 x Remote power switch 1 x Reset switch connector 1 x AT/ATX quick switch 3 x Antenna opening 8-CH programmable DIO (optional) |
| Watchdog Timer | 255 levels, 1 to 255 sec. |
| Storage | 1 x 2.5" SATA HDD drive bay (max. up 15 mm height) 1 x mSATA (enabled in BIOS setting) |
| Expansion Interface | 1 x Full-size PCI Express Mini Card slot (USB + PCIe signal) 1 x Full-size PCI Express Mini Card slot (USB + PCIe signal) 1 x SIM slot |
| TPM | N/A |
| System Indicator | 1 x Green LED for system power-on 1 x Yellow LED for HDD active |
| Power Input | 42.5 W, 9 to 36 VDC |

Specifications

| | |
|-----------------------|---|
| Operating Temperature | Standard: -20°C to +60°C (-4°F to +140°F) Boost mode: -20°C to +55°C (-4°F to +131°F) (with W.T. SSD/DRAM) |
| Humidity | 10% - 95%, non-condensing |
| Vibration Endurance | 3 Grms with SSD (5 to 500Hz, X, Y, Z directions) |
| Dimensions | 200 mm (7.87") (W) x 120 mm (4.72") (D) x 46 mm (1.81") (H) |
| Weight (net/gross) | 1.2 kg (2.65 lb)/1.9 kg (4.19 lb) |
| Certifications | CE |
| EOS Support | WES7, WE8S, Linux |

* W.T.: Wide Temperature. All W.T. supported products have to be sorted by Axiomtek.

Power Protection

DC Version

OVP (over voltage protection)
UVP (under voltage protection)
OCP (over current protection)
Reverse protection

Ordering Information

Standard

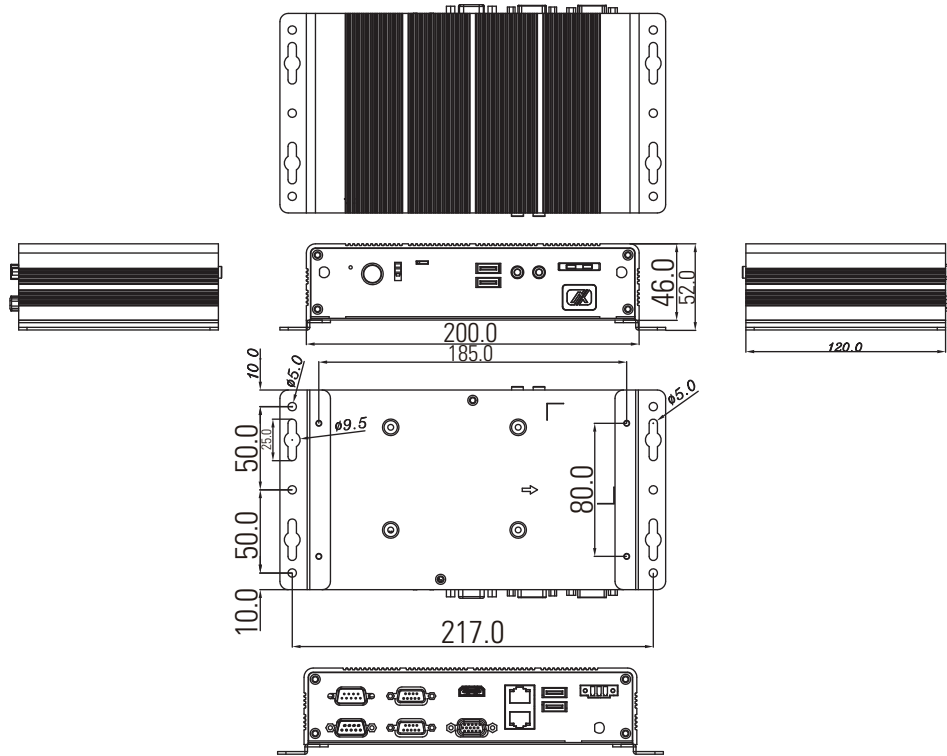
| | |
|--|---|
| eBOX626-853-FL-N3160-DC (P/N: E36K626104) | Fanless embedded system with Intel® Celeron® N3160, VGA, HDMI, 4 COM, 2 GbE LAN, 4 USB, 2 PCI Express Mini Card slots, and 9 to 36 VDC |
| eBOX626-853-FL-N3160-DC-DIO (P/N: E36K626106) | Fanless embedded system with Intel® Celeron® N3160, VGA, HDMI, 3 COM, 1 DIO, 2 GbE LAN, 4 USB, 2 PCI Express Mini Card slots, and 9 to 36 VDC |

Optional

| | |
|---------------|-----------------------|
| 2.5" SATA HDD | 64GB or above |
| 2.5" SATA SSD | 100GB or above |
| DDR3L SO-DIMM | 2GB to 8GB |
| mSATA | 64MB or above |
| 8816K6271A0E | Wall mount kit |
| 886K62613A0E | VESA mount kit |
| 886K62614A0E | DIN-rail kit |
| | Wi-Fi/LTE module |
| 50956A24040E | 12V 36W power adapter |
| | Power cord |

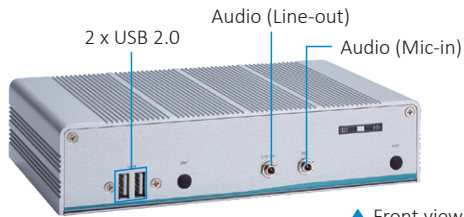
* Specifications and certifications may vary based on different requirements.

Dimensions

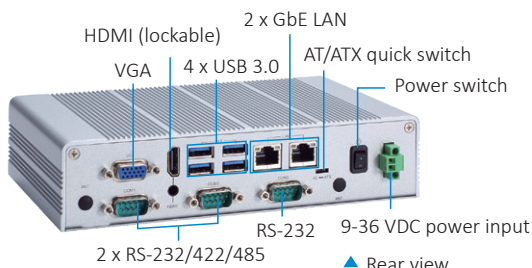


eBOX626-311-FL

Fanless Embedded System with Intel Atom® x5-E3940 1.8 GHz, HDMI, VGA, 2 GbE LAN, 6 USB, and 3 COM



▲ Front view



▲ Rear view

Features

- Intel Atom® x5-E3940 onboard
- 204-pin DDR3L-1866 SO-DIMM for up to 8GB of memory
- Supports 2 GbE LAN, 3 COM, and 6 USB
- Supports one 2.5" SATA drive bay and mSATA
- Trusted Platform Module (TPM) 2.0
- 2 PCI Express Mini Card slots and 1 SIM slot
- -40°C to +60°C operating temperature range
- Hailo-8™ AI acceleration modules compatible*

* 0°C to +45°C operating temp. with Hailo-8™ AI acceleration module



Specifications

| | |
|---------------------|---|
| Standard Color | Silver |
| Construction | Aluminum extrusion and heavy-duty steel, IP40 |
| CPU | Intel Atom® Processor x5-E3940 1.8 GHz |
| System Memory | 1 x 204-pin DDR3L-1866 SO-DIMM, up to 8GB |
| Chipset | SoC integrated |
| BIOS | AMI |
| System I/O Outlet | 2 x RS-232/422/485 1 x RS-232 1 x HDMI (lockable) 1 x VGA 1 x Audio (Mic-in/Line-out) 2 x 10/100/1000 Mbps Ethernet (Intel® i211-AT) 4 x USB 3.0 2 x USB 2.0 4 x Antenna opening 1 x Phoenix type VDC power input connector 1 x AT/ATX switch 1 x ATX power switch |
| Watchdog Timer | 65536 levels, 1 to 65535 sec. |
| Storage | 1 x 2.5" SATA HDD drive bay (max. up 9.5 mm height) 1 x mSATA (enabled in BIOS setting) |
| Expansion Interface | 2 x Full-size PCI Express Mini Card slot (USB + PCIe signal) 1 x SIM slot |
| TPM | TPM 2.0 |
| System Indicator | 1 x Green LED for system power-on 1 x Yellow LED for HDD/SSD active |
| Power Supply | 9 to 36 VDC |

Specifications

| | |
|-----------------------|---|
| Operating Temperature | -40°C to +60°C (-40°F to +140°F) (with W.T. SSD/DRAM for 9 to 36 VDC) (Default: Turbo mode) |
| Humidity | 10%- 95%, non-condensing |
| Shock Vibration | IEC 60068-2-27 (with SSD: 50G, half sine, 11 ms duration) |
| Vibration Endurance | IEC 60068-2-64 (with SSD: 3Grms STD, random, 5 to 500 Hz, 1 hr/axis) |
| Dimensions | 200 mm (7.87") (W) x 120 mm (4.72") (D) x 46 mm (1.81") (H) |
| Weight (net/gross) | 1.2 kg (2.65 lb)/1.6 kg (3.53 lb) |
| Certifications | CE, FCC Class A, UKCA |
| EOS Support | Win10 IoT, Linux |
| Software Support | AXView |

* W.T.: Wide Temperature. All W.T. supported products have to be sorted by Axiomtek.

Packing List

1 x Screws pack
4 x Pre-installed foot pad
1 x DRAM thermal pad
1 x 2-pin terminal block connector
1 x HDD bracket

Power Protection

AC Version

OVP (over voltage protection)
UVP (under voltage protection)
SCP (short circuit protection)

Ordering Information

Standard

| | |
|-------------------------------------|---|
| eBOX626-311-FL (P/N: E36K626110) | Fanless embedded system with Intel Atom® x5-E3940 1.8 GHz, HDMI, VGA, 2 GbE LAN, 6 USB, and 3 COM (w/o 24V/120W adapter and power cord) |
|-------------------------------------|---|

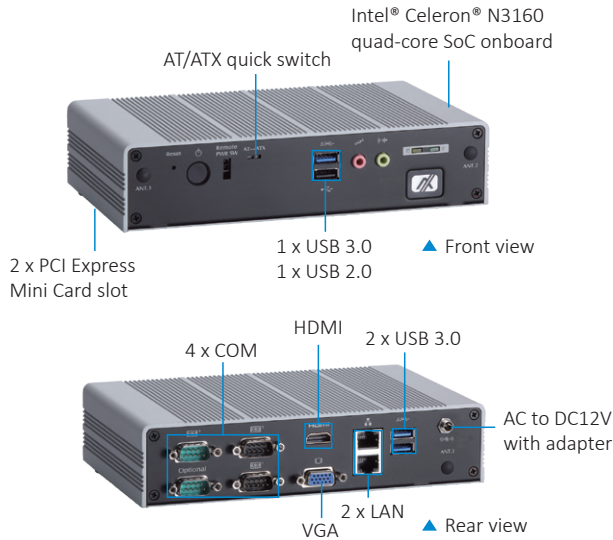
Optional

| | |
|---------------|--|
| 2.5" SATA HDD | 320GB or above |
| 2.5" SATA SSD | 128GB or above |
| DDR3L SO-DIMM | 2GB to 8GB |
| mSATA | 64MB or above |
| 8816K6271AOE | Wall mount kit |
| 886K62613AOE | VESA mount kit |
| 886K62614AOE | DIN-rail kit |
| | Wi-Fi/LTE module |
| 509000001500 | 24V 120W power adapter Power cord |
| E9C3000008 | Hailo VPU PCIe Mini Card AI module HMP1RB1C2GA |

* Specifications and certifications may vary based on different requirements.

eBOX625-853-FL

Fanless Embedded System with Intel® Celeron® Processor N3160, VGA, HDMI, 4 COM, 2 GbE LAN, 4 USB, and 2 PCI Express Mini Card Slots



Features

- Intel® Celeron® processor N3160 2.24 GHz (Braswell)
- HDMI and VGA with dual view supported
- Supports 4 COM and 4 USB
- 2 GbE LAN support WoL, Teaming, and PXE
- 2 PCI Express Mini Card slots for WLAN/WWAN/mSATA
- -20°C to +60°C operating temperature range
- Intel® Virtualization Technology (Intel® VT-x)



Specifications

| | |
|---------------------|--|
| Standard Color | Silver-black |
| Construction | Aluminum extrusion and heavy-duty steel, IP40 |
| CPU | Intel® Celeron® processor N3160 2.24 GHz (2M Cache, up to 2.24 GHz) |
| System Memory | 1 x 204-pin DDR3L-1333/1600 SO-DIMM, up to 8GB |
| Chipset | SoC integrated |
| BIOS | AMI |
| System I/O Outlet | 2 x 10/100/1000 Mbps Ethernet (Intel® i211-AT) 1 x RS-232/422/485 3 x RS-232 3 x USB 3.0 1 x USB 2.0 1 x Audio (Mic-in/Line-out) 1 x HDMI (4K supported) 1 x VGA 1 x Screw type VDC power input connector 1 x ATX power switch 1 x Remote power switch 1 x Reset switch connector 1 x AT/ATX quick switch 3 x Antenna opening 8-CH programmable DIO (optional) |
| Watchdog Timer | 255 levels, 1 to 255 sec. |
| Storage | 1 x 2.5" HDD drive bay (max. up 15 mm height) 1 x mSATA (enabled in BIOS setting) |
| Expansion Interface | 1 x Full-size PCI Express Mini Card slot (USB + PCIe signal) 1 x Full-size PCI Express Mini Card slot (USB + PCIe signal) 1 x SIM slot |
| TPM | N/A |
| System Indicator | 1 x Green LED for system power-on 1 x Yellow LED for HDD active |
| Power Supply | Input: AC 90-264V, AC 36 W adapter with lock Output: DC 12V@3A |

Specifications

| | |
|-----------------------|---|
| Operating Temperature | -20°C to +60°C (-4°F to +140°F) (with W.T. SSD/DRAM) |
| Humidity | 10%- 95%, non-condensing |
| Vibration Endurance | 3 Grms with SSD (5 to 500Hz, X, Y, Z directions) |
| Dimensions | 200 mm (7.87") (W) x 120 mm (4.72") (D) x 46 mm (1.81") (H) |
| Weight (net/gross) | 1.2 kg (2.65 lb)/1.9 kg (4.19 lb) |
| Certifications | CE, UKCA |
| EOS Support | WES7, WE8S, Win 10 IoT, Linux |

* W.T.: Wide Temperature. All W.T. supported products have to be sorted by Axiomtek.

Power Protection

AC Version

OVP (over voltage protection)
UVP (under voltage protection)
SCP (short circuit protection)

Ordering Information

Standard

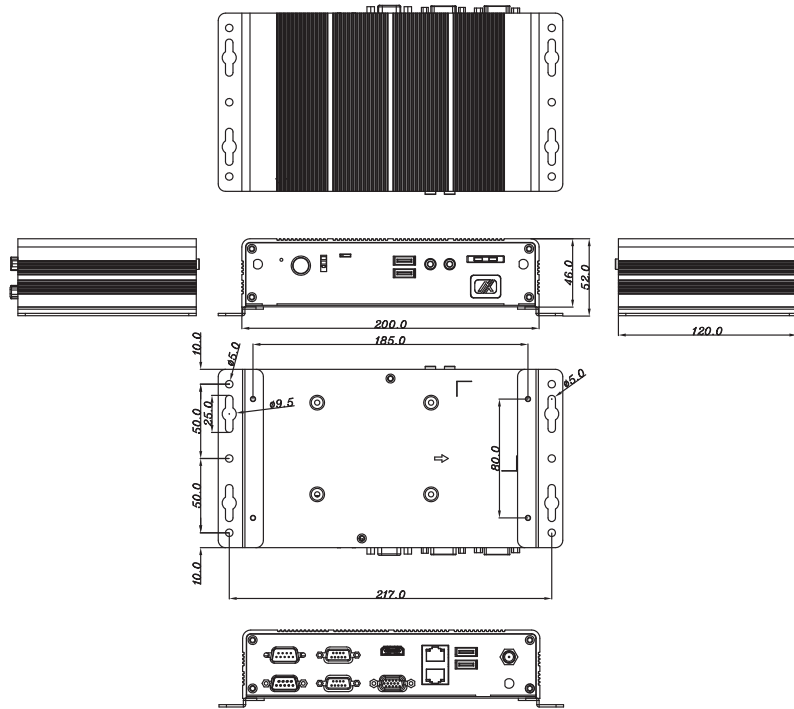
| | |
|---|---|
| eBOX625-853-FLDC-N3160 (P/N: E36K625118) | Fanless embedded system with Intel® Celeron® N3160, VGA, HDMI, 4 COM, 2 GbE LAN, 4 USB, and 2 PCI Express Mini Card slots |
|---|---|

Optional

| | |
|---------------|-----------------------|
| 2.5" SATA HDD | 64GB or above |
| 2.5" SATA SSD | 100GB or above |
| DDR3L SO-DIMM | 2GB to 8GB |
| mSATA | 64MB or above |
| 8816K6271A0E | Wall mount kit |
| 886K62613A0E | VESA mount kit |
| 886K62614A0E | DIN-rail kit |
| | Wi-Fi/LTE module |
| 50956A24030E | 12V 36W power adapter |
| | Power cord |

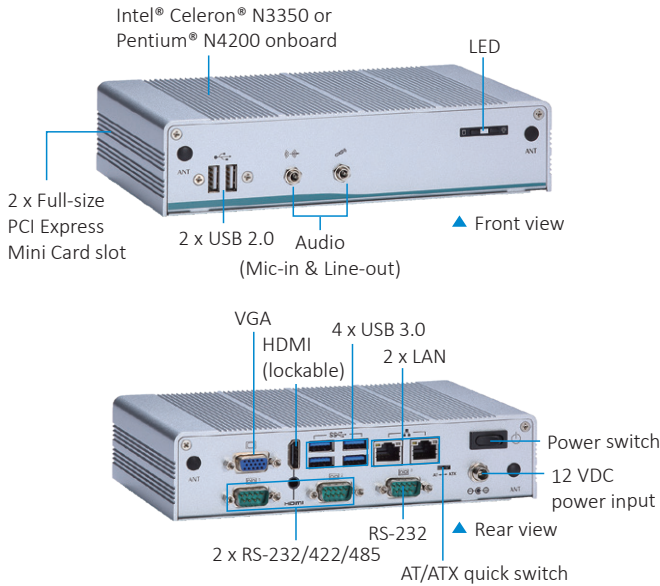
* Specifications and certifications may vary based on different requirements.

Dimensions



eBOX625-312-FL

Fanless Embedded System with Intel® Celeron® N3350 2.4 GHz or Pentium® N4200 2.5 GHz, HDMI, VGA, 2 GbE LAN, 6 USB, and 3 COM



Features

- Intel® Celeron® N3350 or Pentium® N4200 onboard
- 204-pin DDR3L-1866 SO-DIMM for up to 8GB of memory
- Supports 2 GbE LAN, 3 COM, and 6 USB
- Supports one 2.5" SATA drive bay and mSATA
- Trusted Platform Module (TPM) 2.0
- 2 PCI Express Mini Card slots and 1 SIM slot
- -20°C to +65°C operating temperature range
- AXView intelligent remote monitoring software for IIoT



Specifications

| | |
|---------------------|---|
| Standard Color | Silver |
| Construction | Aluminum extrusion and heavy-duty steel, IP40 |
| CPU | Intel® Celeron® Processor N3350 2.4 GHz Intel® Pentium® Processor N4200, 2.5 GHz |
| System Memory | 1 x 204-pin DDR3L-1866 SO-DIMM, up to 8GB |
| Chipset | SoC integrated |
| BIOS | AMI |
| System I/O Outlet | 2 x RS-232/422/485 1 x RS-232 1 x HDMI (lockable) 1 x VGA 1 x Audio (Mic-in/Line-out) 2 x 10/100/1000 Mbps Ethernet (Intel® i211-AT) 4 x USB 3.0 2 x USB 2.0 4 x Antenna opening 1 x Screw type VDC power input connector 1 x AT/ATX switch 1 x ATX power switch |
| Watchdog Timer | 65536 levels, 1 to 65535 sec. |
| Storage | 1 x 2.5" SATA HDD drive bay (up to 9.5 mm height) 1 x mSATA (enabled in BIOS setting) |
| Expansion Interface | 2 x Full-size PCI Express Mini Card slot (USB + PCIe signal) 1 x SIM slot |
| TPM | TPM 2.0 |
| System Indicator | 1 x Green LED for system power-on 1 x Yellow LED for HDD/SSD active |
| Power Supply | Input AC 90 to 264V, AC 60W adapter with lock Output: 12 VDC, 5A |

Specifications

| | | |
|-----------------------|--|--|
| Operating Temperature | Turbo Mode | -20°C to +60°C (-4°F to +140°F) (with W.T. SSD/DRAM) (default) |
| | Non-turbo Mode | -20°C to +65°C (-4°F to +149°F) (with W.T. SSD/DRAM) |
| Humidity | 10% - 95%, non-condensing | |
| Shock Vibration | IEC 60068-2-27 (with SSD: 50G, half sine, 11 ms duration) | |
| Vibration Endurance | IEC 60068-2-64 (with SSD: 3Grms STD, random, 5 to 500 Hz, 1 hr/axis) | |
| Dimensions | 200 mm (7.87") (W) x 120 mm (4.72") (D) x 46 mm (1.81") (H) | |
| Weight (net/gross) | 1.1 kg (2.43 lb)/1.8 kg (3.97 lb) | |
| Certifications | CE, FCC Class A, UKCA | |
| EOS Support | Win10 IoT, Linux | |
| Software Support | AXView | |

* W.T.: Wide Temperature. All W.T. supported products have to be sorted by Axiomtek.

Packing List

1 x Screws pack
1 x DRAM thermal pad
4 x Pre-installed foot pad

Power Protection

AC Version

OVP (over voltage protection)
UVP (under voltage protection)
SCP (short circuit protection)

Ordering Information

Standard

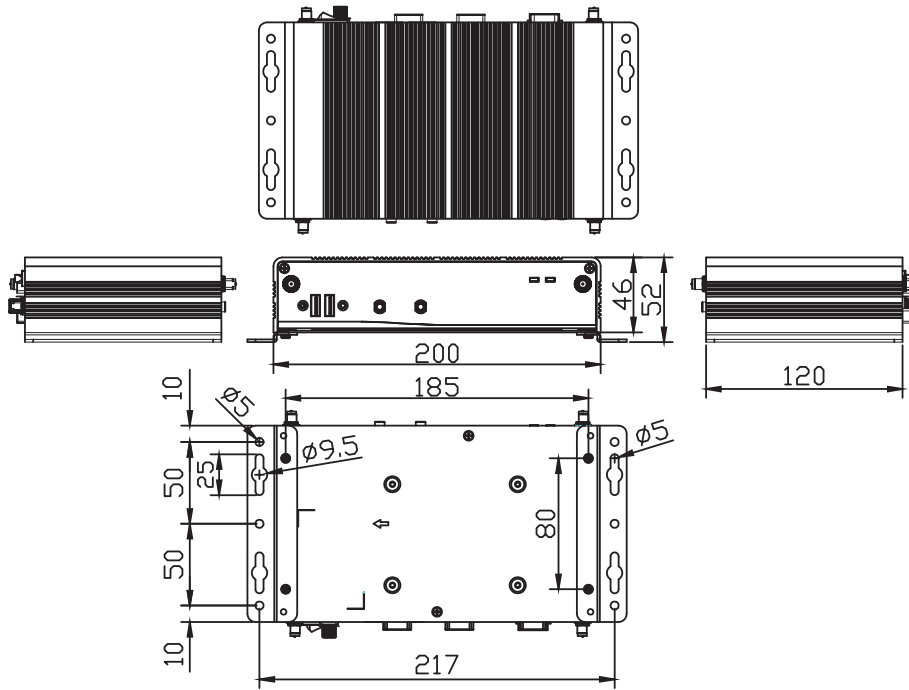
| | |
|---|---|
| eBOX625-312-FLDC-N3350 (P/N: E36K625114) | Fanless embedded system with Intel® Celeron® N3350 2.4 GHz, HDMI, VGA, 2 GbE LAN, 6 USB, and 3 COM (w/o 12V 60W adapter and power cord) |
| eBOX625-312-FLDC-N4200 (P/N: E36K625115) | Fanless embedded system with Intel® Pentium® N4200 2.5 GHz, HDMI, VGA, 2 GbE LAN, 6 USB, and 3 COM (w/o 12V 60W adapter and power cord) |

Optional

| | |
|---------------|-----------------------|
| 2.5" SATA HDD | 64GB or above |
| 2.5" SATA SSD | 100GB or above |
| DDR3L SO-DIMM | 2GB to 8GB |
| mSATA | 64MB or above |
| 8816K6271A0E | Wall mount Kit |
| 886K62613A0E | VESA mount kit |
| 886K62614A0E | DIN-rail kit |
| 50966124050E | Wi-Fi/LTE module |
| | 12V 60W power adapter |
| | Power cord |

* Specifications and certifications may vary based on different requirements.

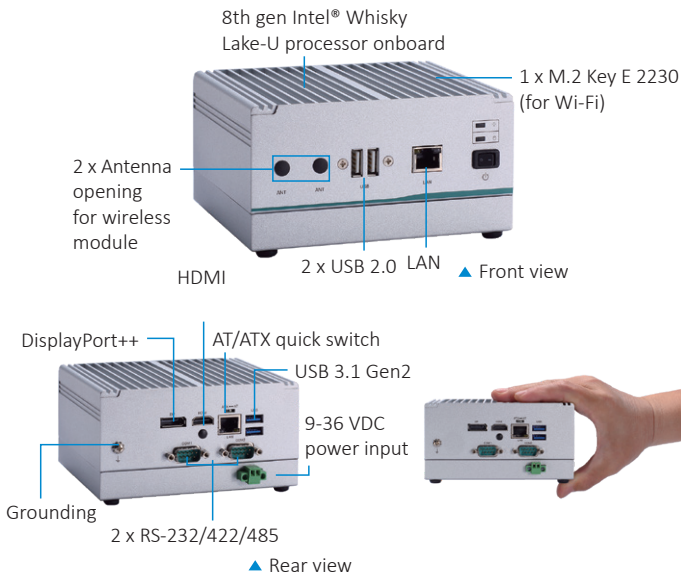
Dimensions



eBOX565-52R-FL

NEW

Fanless Embedded System with Intel® Core™ i5-8365UE/Celeron® 4305UE Processor, HDMI, DisplayPort++, 2 GbE LAN, 2 COM, 4 USB, and 9-36VDC Power Input



Features

- 8th gen Intel® Core™ and Celeron® processor onboard (Whisky Lake-U)
- One M.2 Key E 2230 for Wi-Fi module
- 260-pin DDR4-2400 SO-DIMM, max. up to 32GB
- 2 GbE LAN and 2 USB 3.1 Gen2
- Supports DisplayPort++ and HDMI for dual independent displays
- Multiple mounting designs: Wall mount, DIN-rail and VESA mount
- 9 to 36 VDC wide range input



Specifications

| | |
|---------------------|---|
| Standard Color | Silver |
| Construction | Aluminum extrusion and heavy-duty steel, IP40 |
| CPU | Intel® Core™ i5-8365UE, 1.6 GHz Intel® Celeron® 4305UE, 2.0 GHz |
| System Memory | 1 x 260-pin DDR4-2400 SO-DIMM, max. up to 32GB |
| Chipset | SoC integrated |
| BIOS | AMI UEFI BIOS |
| System I/O Outlet | 2 x RS-232/422/485 2 x 10/100/1000 Mbps Ethernet (Intel® i219-LM, Intel® i211-AT) 2 x USB 2.0 2 x USB 3.1 Gen2 1 x DisplayPort++ 1 x HDMI (lockable) 1 x ATX power switch 1 x AT/ATX quick switch 1 x Screw type VDC power input connector 2 x Antenna opening 1 x Phoenix type VDC power input connector |
| Watchdog Timer | 65535 levels, 1 to 65536 sec. |
| Storage | 1 x 2.5" SATA HDD drive bay (max. up 9.5 mm height) |
| Expansion Interface | 1 x M.2 Key E 2230 (for Wi-Fi) |
| TPM | N/A |
| System Indicator | 1 x Green LED for system power-on 1 x Orange LED for HDD active |
| Power Input | 9- 36 VDC |

Specifications

| | |
|-----------------------|---|
| Operating Temperature | -10°C to +50°C (+14°F to +122°F) with 0.7 m/s air flow (with W.T. SSD/DRAM) |
| Storage Temperature | -20°C to +80°C (-4°F to +185°F) |
| Humidity | 10%- 90%, non-condensing |
| Vibration Endurance | IEC 60068-2-64 (with SSD: 3Grms STD, random, 5 to 500 Hz, 1 hr/axis) |
| Shock Vibration | IEC 60068-2-27 (with SSD: 50G, half sine, 11 ms duration) |
| Dimensions | 141.6 mm (5.57") (W) x 106 mm (4.17") (D) x 73 mm (2.87") (H) |
| Weight (net/gross) | 1.1 kg (2.43 lb)/1.8 kg (3.96 lb) |
| Certifications | CE, FCC Class A, UKCA |
| EOS Support | Win 10 IoT, Linux |
| Software Support | AXView |

* W.T.: Wide Temperature. All W.T. supported products have to be sorted by Axiomtek.

Packing List

4 x Pre-installed foot pad
1 x Screw pack
1 x HDD bracket
1 x DRAM thermal pad bracket
2 x DRAM thermal pad
1 x 2-pin terminal block connector

Power Protection

DC Version

OVP (over voltage protection)
OCP (over current protection)
SCP (short circuit protection)
Reverse protection

Ordering Information

Standard

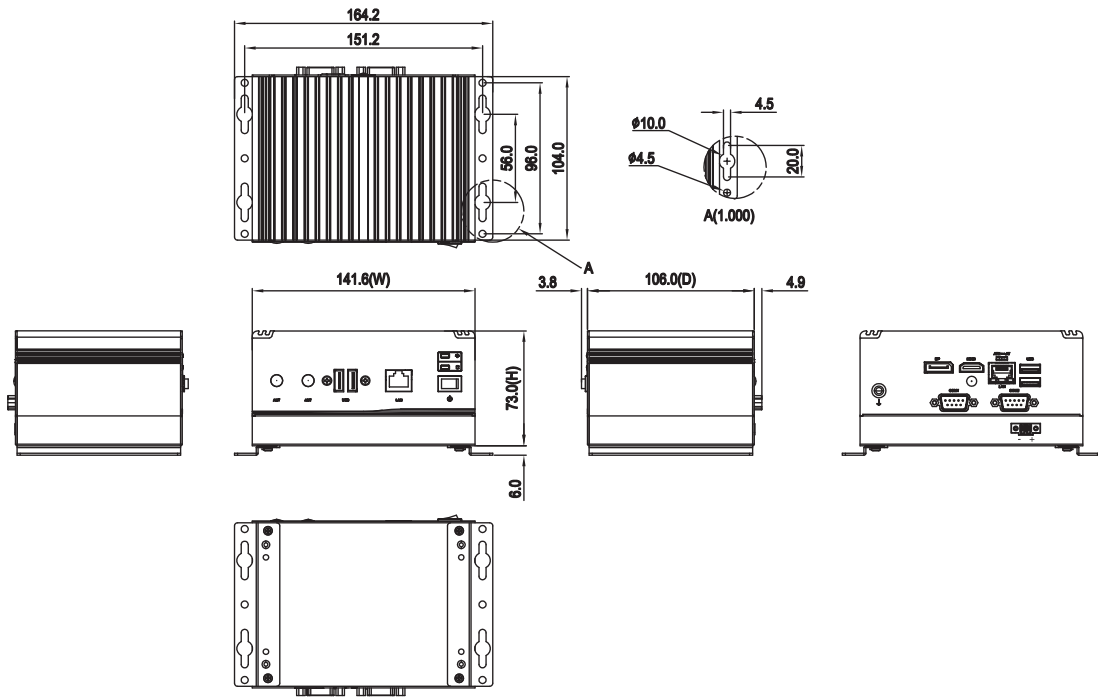
| | |
|---|---|
| eBOX565-52R-FL-DC-8365UE (P/N: E36K565109) | Fanless embedded system with Intel® i5-8365UE, HDMI, DisplayPort++, 2 GbE LAN, 2 COM, 4 USB and 9 to 36 VDC |
| eBOX565-52R-FL-DC-4305UE (P/N: E36K565110) | Fanless embedded system with Intel® Celeron® 4305UE, HDMI, DisplayPort++, 2 GbE LAN, 2 COM, 4 USB and 9 to 36 VDC |

Optional

| | |
|---------------|------------------------|
| DDDR4 SO-DIMM | 8G to 32GB |
| 2.5" SATA HDD | 64GB or above |
| 2.5" SATA SSD | 100GB or above |
| 8816K560BA0E | DIN-Rail kit |
| 8816K560AA0E | VESA mount kit |
| 8816K560IA0E | Wall mount kit |
| 509000001500 | 24V/120W power adapter |
| | Power cord |
| | M.2 Wi-Fi module |

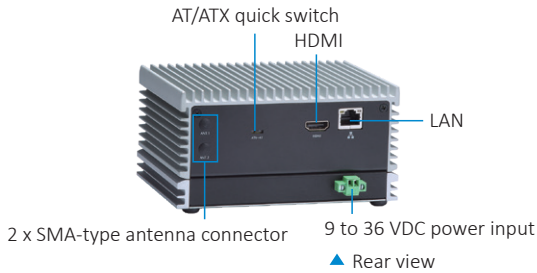
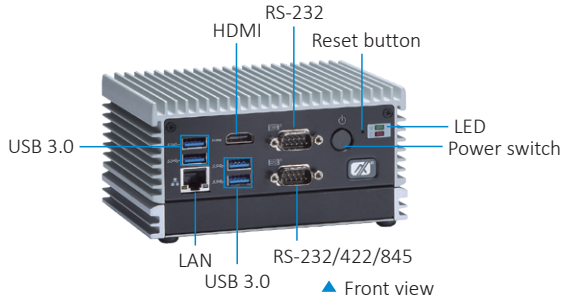
* Specifications and certifications may vary based on different requirements.

Dimensions



eBOX565-500-FL

Fanless Embedded System with Intel® Core™ i5-6300U/i3-6100U & Celeron® 3955U, 2 HDMI, 2 GbE LAN, 4 USB 3.0, 2 COM, and 9 to 36 VDC



Features

- Intel® Core™ i5-6300U 2.4 GHz/i3-6100U 2.3 GHz & Celeron® 3955U 2.0 GHz (Skylake ULT SoC)
- 260-pin DDR4-2133 SO-DIMM for up to 16GB of memory
- 9 to 36 VDC wide range input
- Supports 2 HDMI, 2 COM and 4 USB 3.0
- Supports Jumbo Frame (9.5K), WoL, PXE and Teaming
- Ultra-compact enclosure design



Specifications

| | |
|---------------------|--|
| Standard Color | Silver-black |
| Construction | Aluminum extrusion and heavy-duty steel, IP40 |
| CPU | Intel® Core™ i5-6300U 2.4 GHz/i3-6100U 2.3 GHz & Celeron® 3955U 2.0 GHz (Skylake ULT SoC) |
| System Memory | 1 x 260-pin DDR4-2133 SO-DIMM, up to 16GB |
| Chipset | SoC integrated |
| BIOS | AMI |
| System I/O Outlet | 1 x RS-232/422/485 1 x RS-232 2 x HDMI 2 x 10/100/1000 Mbps Ethernet (Intel® i210-AT, i219-LM) 4 x USB 3.0 2 x Antenna opening 1 x AT/ATX quick switch 1 x ATX power switch 1 x Reset switch connector 1 x Phoenix type VDC power input connector |
| Watchdog Timer | 255 levels, 1 to 255 sec. |
| Storage | 1 x 2.5" SATA HDD drive bay (max. up 9.5 mm height) 1 x mSATA (enabled in BIOS setting) |
| Expansion Interface | 1 x Full-size PCI Express Mini Card slot (USB + PCIe signal) |
| TPM | N/A |
| System Indicator | 1 x Green LED for system power-on 1 x Orange LED for HDD active |
| Power Input | 9 to 36 VDC |

Specifications

| | |
|-----------------------|---|
| Operating Temperature | -10°C to +50°C (+14°F to +122°F) (with W.T. SSD) |
| Humidity | 10% - 95%, non-condensing |
| Vibration Endurance | 3 Grms with SSD™ (5 to 500Hz, X, Y, Z directions) |
| Dimensions | 141.6 mm (5.57") (W) x 106 (4.17") mm (D) x 73 mm (2.87") (H) |
| Weight (net/gross) | 1.074 kg (1.76lb)/1.67 kg (3.68lb) |
| Certifications | CE, UKCA |
| EOS Support | Win 10 IoT, WE8S, Linux |

* W.T.: Wide Temperature. All W.T. supported products have to be sorted by Axiomtek.

Packing List

DC Version

- 1 x Screws pack
- 4 x Pre-installed foot pad
- 1 x 2-pin terminal block connector

Power Protection

- OVP (over voltage protection)
- OCP (over current protection)
- SCP (short circuit protection)
- Reverse protection

Ordering Information

Standard

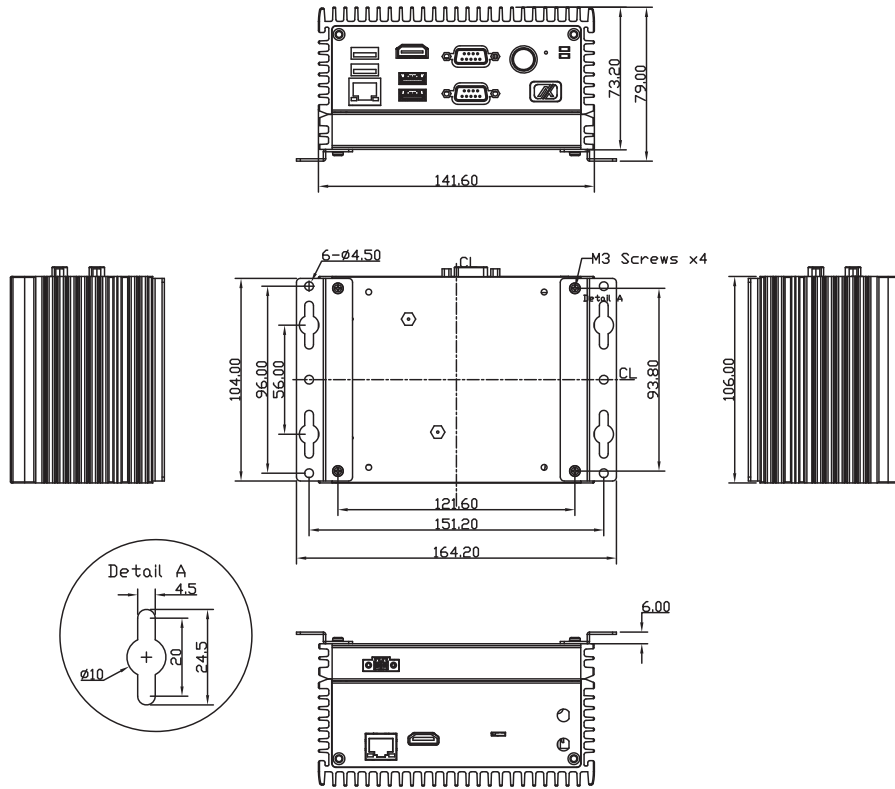
| | |
|--|---|
| eBOX565-500-FL-DC-6300U (P/N: E36K565100) | Fanless embedded system with Intel® Core™ i5-6300U, 2 HDMI, 2 GbE LAN, 4 USB 3.0, 2 COM, PCI Express Mini Card slot and 9 to 36 VDC |
| eBOX565-500-FL-DC-6100U (P/N: E36K565102) | Fanless embedded system with Intel® Core™ i3-6100U, 2 HDMI, 2 GbE LAN, 4 USB 3.0, 2 COM, PCI Express Mini Card slot and 9 to 36 VDC |
| eBOX565-500-FL-DC-3955U (P/N: E36K565101) | Fanless embedded system with Intel® Celeron® 3955U, 2 HDMI, 2 GbE LAN, 4 USB 3.0, 2 COM, PCI Express Mini Card slot and 9 to 36 VDC |

Optional

| | |
|---------------|--|
| 2.5" SATA HDD | 64GB or above |
| 2.5" SATA SSD | 100GB or above |
| DDR4 SO-DIMM | 8GB to 16GB |
| 8816K560IA0E | Wall mount kit |
| 8816K560AA0E | VESA arm kit |
| 8816K560BA0E | DIN-rail kit |
| 509000001500 | 24V 120W power adapter Power cord Wi-Fi module |

* Specifications and certifications may vary based on different requirements.

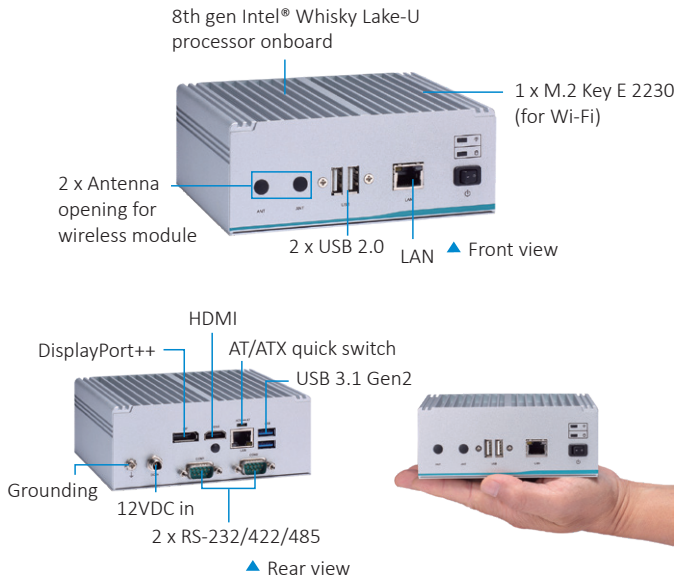
Dimensions



eBOX560-52R-FL

NEW

Fanless Embedded System with Intel® Core™ i5-8365UE/Celeron® 4305UE Processor, HDMI/DisplayPort++, 2 GbE LAN, 2 COM, 4 USB, and 12VDC Power Input



Features

- 8th gen Intel® Core™ and Celeron® processor onboard (Whisky Lake-U)
- 1 M.2 Key E 2230 for Wi-Fi module
- 260-pin DDR4-2400 SO-DIMM, max. up to 32GB
- 2 GbE LAN and 2 USB 3.1 Gen2
- Supports DisplayPort++ and HDMI for dual independent displays
- Multiple mounting designs: Wall mount, DIN-rail and VESA mount



Specifications

| | |
|---------------------|--|
| Standard Color | Silver |
| Construction | Aluminum extrusion and heavy-duty steel, IP40 |
| CPU | Intel® Core™ i5-8365UE, 1.6 GHz Intel® Celeron® 4305UE, 2.0 GHz |
| System Memory | 1 x 260-pin DDR4-2400 SO-DIMM, max. up to 32GB |
| Chipset | SoC integrated |
| BIOS | AMI UEFI BIOS |
| System I/O Outlet | 2 x RS-232/422/485 2 x 10/100/1000 Mbps Ethernet (Intel® i219-LM, Intel® i211-AT) 2 x USB 2.0 2 x USB 3.1 Gen2 1 x DisplayPort++ 1 x HDMI 1 x ATX power switch 1 x AT/ATX quick switch 1 x Screw type VDC power input connector 2 x Antenna opening |
| Watchdog Timer | 65535 levels, 1 to 65536 sec. |
| Storage | 1 x 2.5" SATA HDD drive bay (max. up 9.5 mm height) |
| Expansion Interface | 1 x M.2 Key E 2230 (for Wi-Fi) |
| TPM | N/A |
| System Indicator | 1 x Green LED for system power-on 1 x Orange LED for HDD active |
| Power Input | 12 VDC |

Specifications

| | |
|-----------------------|---|
| Operating Temperature | -10°C to +50°C (+14°F to +122°F) with 0.7 m/s air flow (with W.T. SSD/DRAM) |
| Storage Temperature | -20°C to +80°C (-4°F to +185°F) |
| Humidity | 10%- 90%, non-condensing |
| Vibration Endurance | IEC 60068-2-64 (with SSD: 3Grms STD, random, 5 to 500 Hz, 1 hr/axis) |
| Shock Vibration | IEC 60068-2-27 (with SSD: 50G, half sine, 11 ms duration) |
| Dimensions | 141.6 mm (5.57") x 106 mm (4.17") x 55 mm (2.17") |
| Weight (net/gross) | 0.6 kg (1.32 lb)/1.5 kg (3.3 lb) |
| Certifications | CE, FCC Class A, UKCA |
| EOS Support | Win 10 IoT, Linux |
| Software Support | AMS.AXView |

* W.T.: Wide Temperature. All W.T. supported products have to be sorted by Axiomtek.

Packing List

4 x Foot Pad
1 x Screw Pack
1 x HDD bracket
1 x DRAM thermal pad Bracket
2 x DRAM thermal pad

Power Protection

AC Version

OVP (over voltage protection)
OCP (over current protection)
SCP (short circuit protection)

Ordering Information

Standard

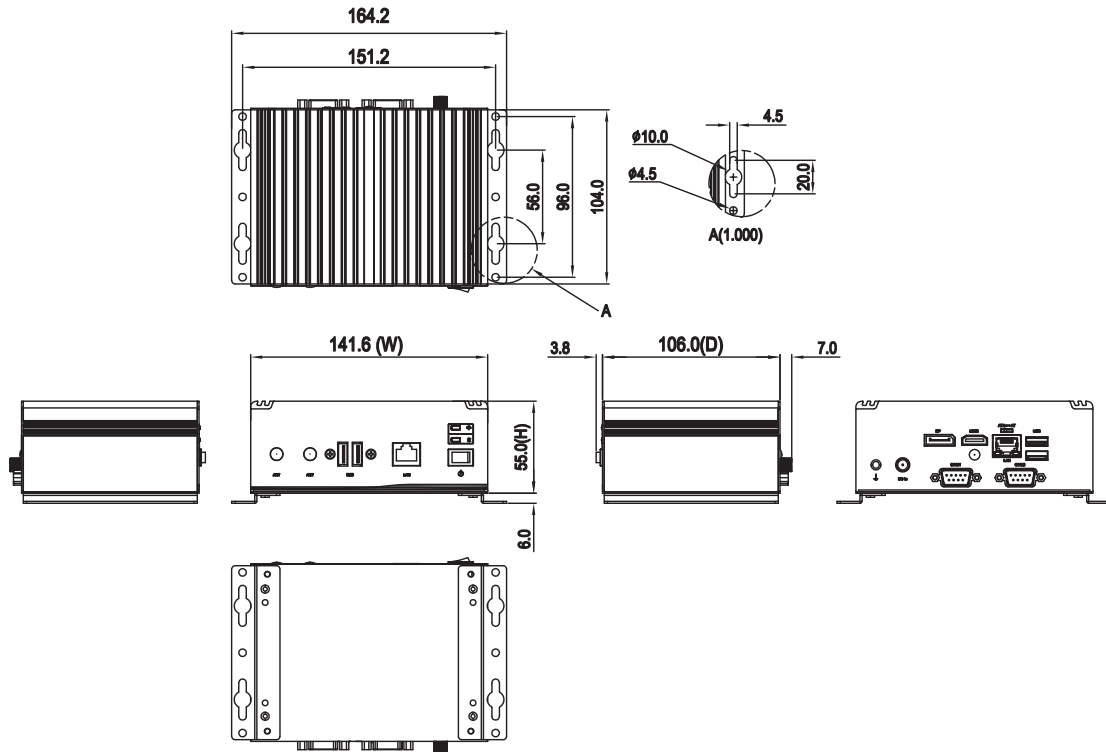
| | |
|---|--|
| eBOX560-52R-FL-DC-8365UE (P/N: E36K560156) | Fanless embedded system with Intel® i5-8365UE, HDMI/DisplayPort++, 2 GbE LAN, 2 COM, 4 USB and 12 VDC |
| eBOX560-52R-FL-DC-4305UE (P/N: E36K560157) | Fanless embedded system with Intel® Celeron 4305UE, HDMI/DisplayPort++, 2 GbE LAN, 2 COM, 4 USB and 12 VDC |

Optional

| | |
|---------------|---|
| DDDR4 SO-DIMM | 8G to 32GB |
| 2.5" SATA HDD | 64GB or above |
| 2.5" SATA SSD | 100GB or above |
| 8816K560BA0E | DIN-Rail kit |
| 8816K560AA0E | VESA mount kit |
| 8816K560IA0E | Wall mount kit |
| 50966124050E | 12V/60W power adapter Power cord M.2 Wi-Fi module |

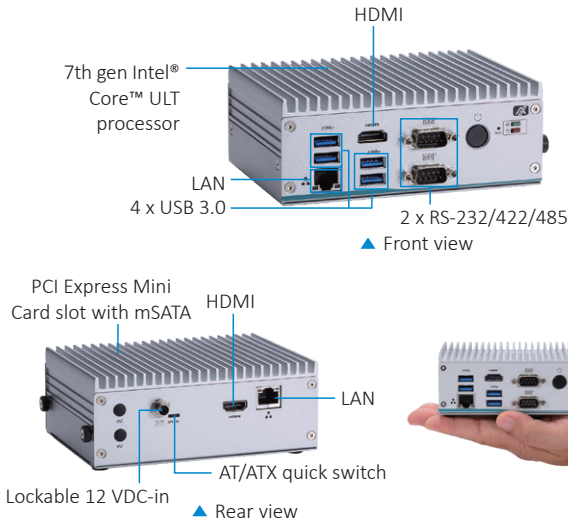
*Specifications and certifications may vary based on different requirements.

Dimensions



eBOX560-512-FL

Fanless Embedded System with Intel® Core™ i5-7300U/i3-7100U & Celeron® 3965U, 2 HDMI, 2 GbE LAN, 4 USB 3.0, and PCI Express Mini Card Slot



Features

- Intel® Core™ i5-7300U 2.6 GHz/i3-7100U 2.4 GHz & Celeron® 3965U 2.2 GHz
- Supports 2 COM, 2 GbE LAN and 4 USB 3.0
- One swappable 2.5" HDD drive bay
- 2 HDMI with dual-view supported
- AMS.AXView intelligent remote monitoring software for IIoT
- Ultra-compact enclosure design
- Trusted Platform Module 1.2 (TPM 1.2)



Specifications

| | |
|---------------------|--|
| Standard Color | Silver |
| Construction | Aluminum extrusion and heavy-duty steel, IP40 |
| CPU | Intel® Core™ i5-7300U 2.6 GHz/i3-7100U 2.4 GHz & Celeron® 3965U 2.2 GHz |
| System Memory | 1 x 260-pin DDR4-2133 SO-DIMM, up to 16GB |
| Chipset | SoC integrated |
| BIOS | AMI UEFI BIOS |
| System I/O Outlet | 2 x RS-232/422/485 2 x HDMI 2 x 10/100/1000 Mbps Ethernet (Intel® i210-AT, i219-LM) 4 x USB 3.0 2 x Antenna opening 1 x AT/ATX quick switch 1 x ATX power switch 1 x Reset switch connector 1 x Screw type VDC power input connector |
| Watchdog Timer | 255 levels, 1 to 255 sec. |
| Storage | 1 x 2.5" SATA HDD drive bay (max. up 9.5 mm height) 1 x mSATA (enabled in BIOS setting) |
| Expansion Interface | 1 x Full-size PCI Express Mini Card slot (USB + PCIe signal) |
| TPM | TPM 1.2 |
| System Indicator | 1 x Green LED for system power-on 1 x Yellow LED for HDD active |
| Power Input | 12 VDC |

Specifications

| | |
|-----------------------|--|
| Operating Temperature | -10°C to +50°C (+14°F to +122°F) (with W.T. DRAM/SSD) |
| Humidity | 10%- 90%, non-condensing |
| Vibration Endurance | 3 Grms with SSD (5 to 500 Hz, X, Y, Z directions) |
| Dimensions | 141.6 mm (5.57") (W) x 106 mm (4.17") (D) x 54.85 mm (2.15") (H) |
| Weight (net/gross) | 0.8 kg (1.76 lb)/1.67 kg (3.68 lb) |
| Certifications | CE, FCC Class A, UKCA |
| EOS Support | Win 10 IoT, Linux |
| Software Support | AMS.AXView |

* W.T.: Wide Temperature. All W.T. supported products have to be sorted by Axiomtek.

Packing List

1 x Screw pack
4 x Pre-installed foot pad

Power Protection

AC Version

OVP (over voltage protection)

OCP (over current protection)

SCP (short circuit protection)

Ordering Information

Standard

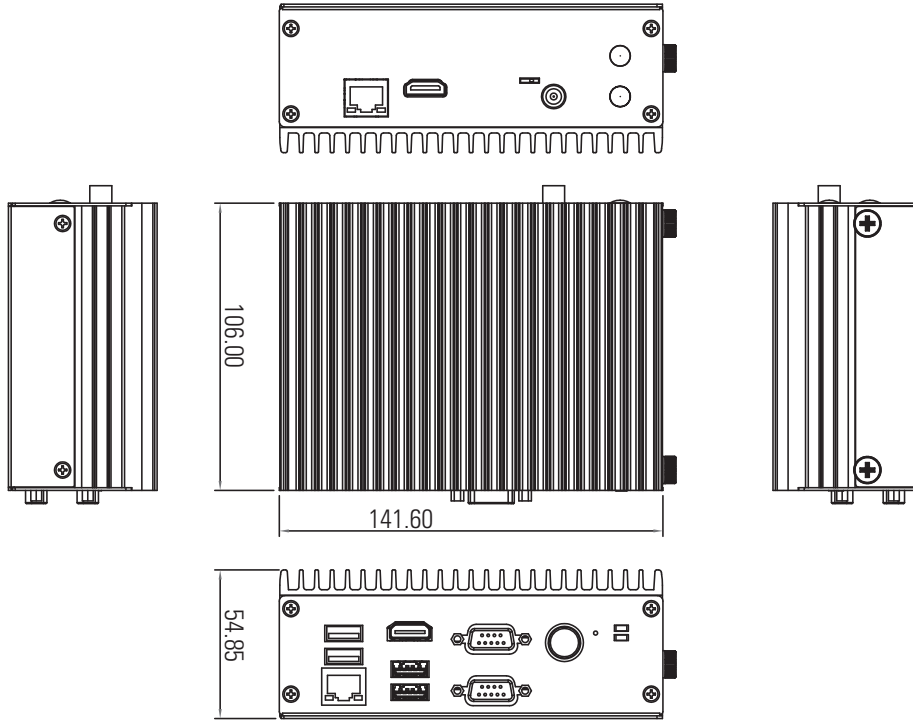
| | |
|--|--|
| eBOX560-512-FL-DC-7300U (P/N: E36K560151) | Fanless embedded system with Intel® Core™ i5-7300U 2.6 GHz, 2 HDMI, 2 GbE LAN, 4 USB 3.0 and PCI Express Mini Card slot (w/o adapter & power cord) |
| eBOX560-512-FL-DC-7100U (P/N: E36K560152) | Fanless embedded system with Intel® Core™ i3-7100U 2.4 GHz, 2 HDMI, 2 GbE LAN, 4 USB 3.0 and PCI Express Mini Card slot (w/o adapter & power cord) |
| eBOX560-512-FL-DC-3965U (P/N: E36K560150) | Fanless embedded system with Intel® Celeron® 3965U 2.2 GHz, 2 HDMI, 2 GbE LAN, 4 USB 3.0 and PCI Express Mini Card slot (w/o adapter & power cord) |

Optional

| | |
|---------------|-------------------------------------|
| 2.5" SATA HDD | 64GB or above |
| 2.5" SATA SSD | 100GB or above |
| DDR4 SO-DIMM | 8GB to 16GB |
| 8816K560IAOE | Wall mount kit |
| 8816K560AAOE | VESA arm kit |
| 8816K560BAOE | DIN-rail kit |
| | Wi-Fi module |
| 50966124050E | 12V 60W power adapter Power cord |

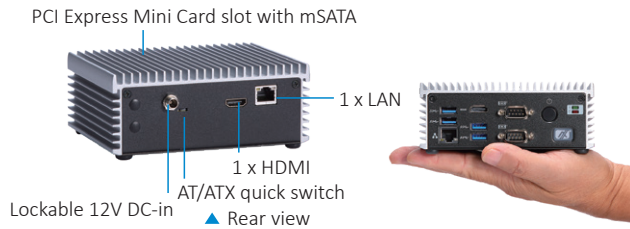
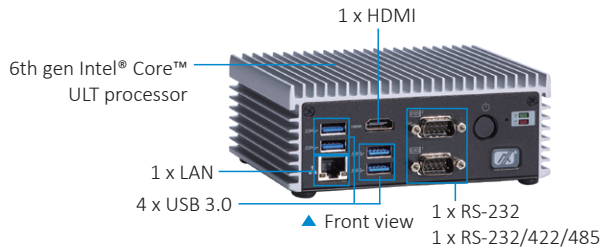
* Specifications and certifications may vary based on different requirements.

Dimensions



eBOX560-500-FL

Fanless Embedded System with Intel® Core™ i7-6600U/i5-6300U/i3-6100U & Celeron® 3955U, 2 HDMI, 2 GbE LAN, 4 USB 3.0, 2 COM, and PCI Express Mini Card Slot



Features

- Intel® Core™ i7-6600U 3.4 GHz/i5-6300U 3 GHz/i3-6100U 2.3 GHz & Celeron® 3955U 2.0 GHz (Skylake ULT SoC)
- 260-pin DDR4 SO-DIMM for up to 16GB of memory
- 12 VDC power input
- Supports 2 HDMI, 2 GbE LAN, 2 COM and 4 USB 3.0
- Supports Jumbo Frame (9.5K), WoL, PXE and Teaming
- Ultra-compact enclosure design



Specifications

| | |
|---------------------|--|
| Standard Color | Silver-black |
| Construction | Aluminum extrusion and heavy-duty steel, IP40 |
| CPU | Intel® Core™ i7-6600U 3.4 GHz/i5-6300U 3 GHz/i3-6100U 2.3 GHz & Celeron® 3955U 2.0 GHz (Skylake ULT SoC) |
| System Memory | 1 x 260-pin DDR4-2133 SO-DIMM, up to 16GB |
| Chipset | SoC integrated |
| BIOS | AMI |
| System I/O Outlet | 1 x RS-232/422/485 1 x RS-232 2 x HDMI 2 x 10/100/1000 Mbps Ethernet (Intel® i210-AT, i219-LM) 4 x USB 3.0 2 x Antenna opening 1 x AT/ATX quick switch 1 x ATX power switch 1 x Reset switch connector 1 x Screw type VDC power input connector |
| Watchdog Timer | 255 levels, 1 to 255 sec. |
| Storage | 1 x 2.5" SATA HDD drive bay (max. up 9.5 mm height) 1 x mSATA (enabled in BIOS setting) |
| Expansion Interface | 1 x Full-size PCI Express Mini Card slot (USB + PCIe signal) |
| TPM | N/A |
| System Indicator | 1 x Green LED for system power-on 1 x Orange LED for HDD active |
| Power Input | 12 VDC |

Specifications

| | |
|-----------------------|---|
| Operating Temperature | -10°C to +55°C (-14°F to +131°F) (with W.T. DRAM/SSD) |
| Humidity | 10% - 95%, non-condensing |
| Vibration Endurance | 3 Grms with SSD™ (5 to 500 Hz, X, Y, Z directions) |
| Dimensions | 141.5 mm (5.57") (W) x 106 mm (4.17") (D) x 55 mm (2.17") (H) |
| Weight (net/gross) | 0.8 kg (1.76 lb)/1.67 kg (3.68 lb) |
| Certifications | CE, UKCA |
| EOS Support | Win 10, WE8S, Linux |

* W.T.: Wide Temperature. All W.T. supported products have to be sorted by Axiomtek.

Packing List

1 x Screw pack
4 x Pre-installed foot pad

Power Protection

AC Version

OVP (over voltage protection)
OCP (over current protection)
SCP (short circuit protection)
Reverse protection

Ordering Information

Standard

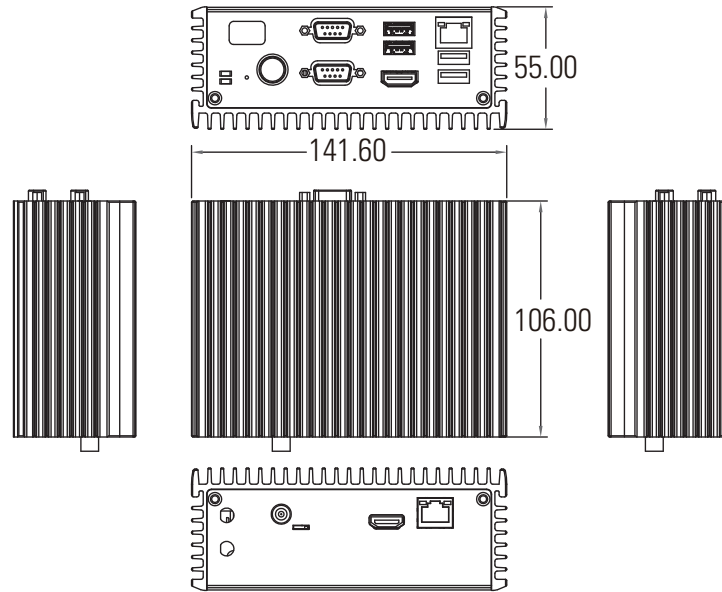
| | |
|--|---|
| eBOX565-500-FL-DC-6300U (P/N: E36K565100) | Fanless embedded system with Intel® Core™ i5-6300U, 2 HDMI, 2 GbE LAN, 4 USB 3.0, 2 COM, PCI Express Mini Card slot and 9 to 36 VDC |
| eBOX565-500-FL-DC-6100U (P/N: E36K565102) | Fanless embedded system with Intel® Core™ i3-6100U, 2 HDMI, 2 GbE LAN, 4 USB 3.0, 2 COM, PCI Express Mini Card slot and 9 to 36 VDC |
| eBOX565-500-FL-DC-3955U (P/N: E36K565101) | Fanless embedded system with Intel® Celeron® 3955U, 2 HDMI, 2 GbE LAN, 4 USB 3.0, 2 COM, PCI Express Mini Card slot and 9 to 36 VDC |

Optional

| | |
|---------------|---|
| 2.5" SATA HDD | 64GB or above |
| 2.5" SATA SSD | 100GB or above |
| DDR4 SO-DIMM | 8GB to 16GB |
| 8816K560IA0E | Wall mount kit |
| 8816K560AA0E | VESA arm kit |
| 8816K560BA0E | DIN-rail kit |
| 50966124050E | 12V 60W power adapter Power cord Wi-Fi module |

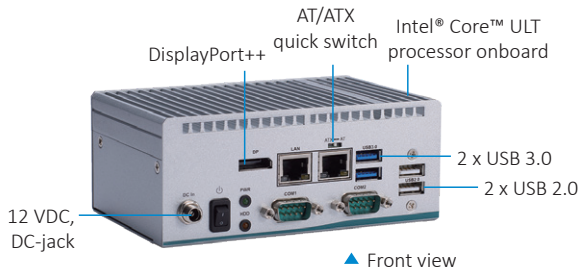
* Specifications and certifications may vary based on different requirements.

Dimensions

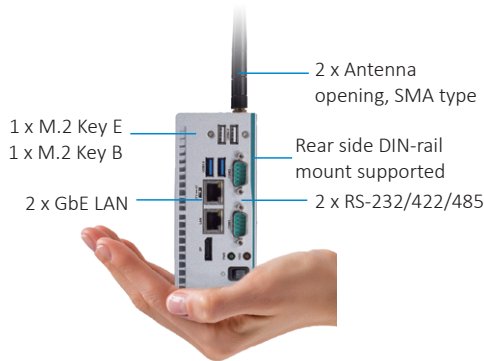


eBOX100-51R-FL

Fanless Ultra Compact Embedded System with Intel® Core™ i5-7300U or Intel® Celeron® 3965U Processor, DisplayPort++, 2 COM, 4 USB, and 2 GbE LAN



▲ Front view



Features

- Ultra compact size with high performance
- Intel® Core™ i5-7300U or Celeron® 3965U
- M.2 Key E 2230 for Wi-Fi
- M.2 Key B 2242 for storage
- Supports Azure certified and AXView
- Supports Intel® AMT 11
- Multiple mounting designs: wall mount, DIN-rail, and VESA mount



Specifications

| | |
|---------------------|---|
| Standard Color | Silver |
| Construction | Aluminum extrusion and heavy-duty steel, IP40 |
| CPU | Intel® Core™ i5-7300U 2.6 GHz Intel® Celeron® 3965U 2.2 GHz |
| System Memory | 1 x 260-pin DDR4-2133 SO-DIMM, up to 16GB |
| Chipset | SoC integrated |
| BIOS | AMI UEFI BIOS |
| System I/O Outlet | 2 x RS-232/422/485 2 x 10/100/1000 Mbps Ethernet (Intel® i219-LM, Intel® i211-AT) 2 x USB 3.0 2 x USB 2.0 1 x DisplayPort++ 1 x ATX power switch 1 x AT/ATX quick switch 1 x Screw type VDC power input connector 2 x Antenna opening |
| Watchdog Timer | 65535 levels, 1 to 65536 sec. |
| Storage | 1 x M.2 Key B 2242 (for SATA storage) |
| Expansion Interface | 1 x M.2 Key E 2230 (for Wi-Fi) |
| TPM | N/A |
| System Indicator | 1 x Green LED for system power-on 1 x Orange LED for HDD active |
| Power Input | 12 VDC |

Specifications

| | |
|-----------------------|--|
| Operating Temperature | -10°C to +50°C (+14°F to +122°F) (with W.T. SSD/DRAM) |
| Storage Temperature | -20°C to +85°C (-4°F to +185°F) |
| Humidity | 10%- 90%, non-condensing |
| Vibration Endurance | IEC 60068-2-64 (with SSD: 3Grms STD, random, 5 to 500 Hz, 1 hr/axis) |
| Shock Vibration | IEC 60068-2-27 (with SSD: 50G, half sine, 11 ms duration) |
| Dimensions | 142 mm (5.59") x 87mm (3.42") x 58 mm (2.28") |
| Weight (net/gross) | 0.6 kg (1.32 lb)/1.5 kg (3.3 lb) |
| Certifications | CE, FCC Class A, UKCA and IEC60945 |
| EOS Support | Win 10 IoT, Linux |
| Software Support | AXView |

* W.T.: Wide Temperature. All W.T. supported products have to be sorted by Axiomtek.

Packing List

1 x Screw pack
4 x Pre-installed foot pad
1 x HDD rubber

Power Protection

AC Version

OVP (over voltage protection)
OCP (over current protection)
SCP (short circuit protection)

Ordering Information

Standard

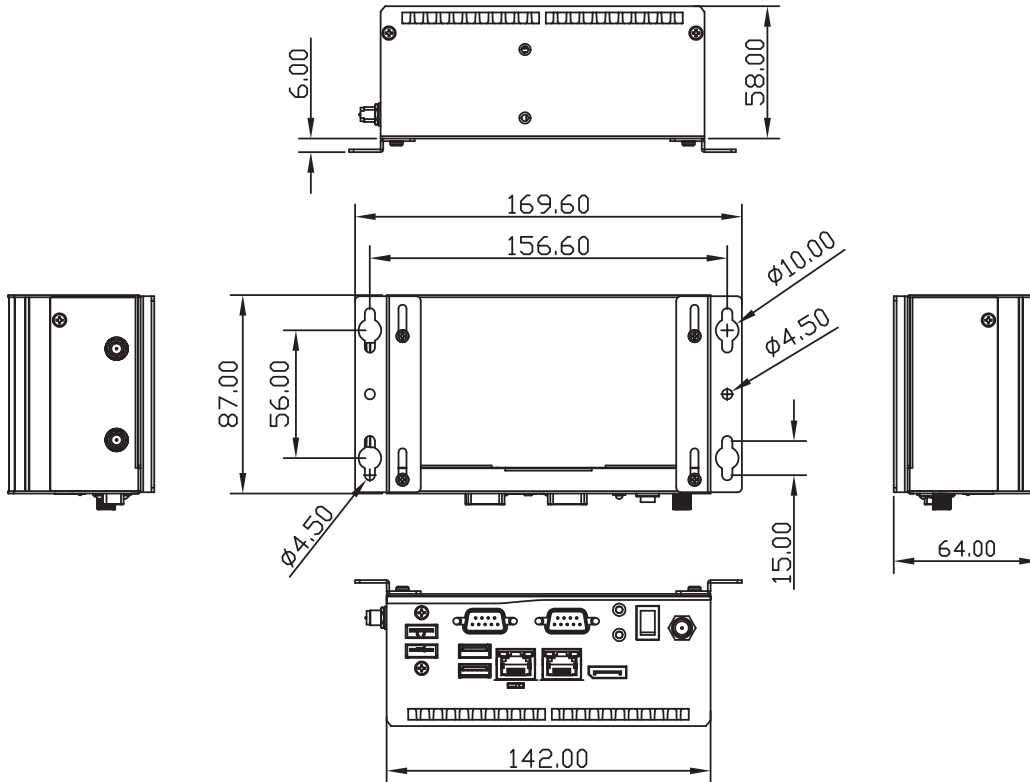
| | |
|--|--|
| eBOX100-51R-FL-DC-7300U (P/N: E36K100108) | Fanless ultra compact embedded system with Intel® Core™ i5-7300U, DisplayPort++, 2 COM, 4 USB, and 2 GbE LAN |
| eBOX100-51R-FL-DC-3965U (P/N: E36K100107) | Fanless ultra compact embedded system with Intel® Celeron® 3965U, DisplayPort++, 2 COM, 4 USB, and 2 GbE LAN |

Optional

| | |
|---------------|-----------------------|
| DDDR4 SO-DIMM | 8G to 16GB |
| M.2 SATA SSD | 128GB or above |
| 8816K1004AOE | Wall mount kit |
| 8816K1008AOE | DIN-rail kit |
| 8816K1005AOE | VESA mount kit |
| | M.2 Wi-Fi module |
| 50966124050E | 12V 60W power adapter |
| | Power cord |

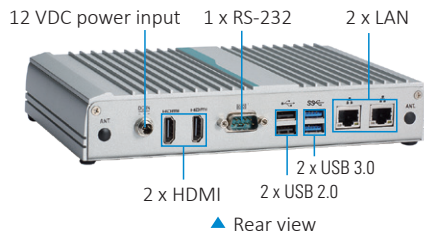
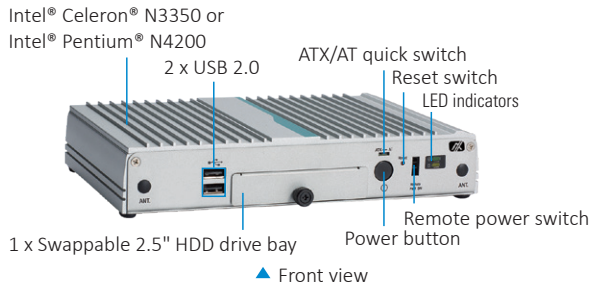
*Specifications and certifications may vary based on different requirements.

Dimensions



eBOX100-312-FL

Fanless Embedded System with Intel® Celeron® N3350 & Pentium® N4200, 2 HDMI, 2 GbE LAN, and 6 USB



Features

- Intel® Celeron® N3350 2.4 GHz & Pentium® N4200 2.5 GHz
- Supports 2 HDMI, 1 COM, 6 USB and 2 GbE LAN
- 2 PCI Express Mini Card slots for WLAN and WWAN
- One swappable 2.5" SATA HDD drive bay
- Supports Jumbo Frame (9k), WoL, PXE Remote Boot
- Suitable for smart retail and light industries
- Azure certified



Specifications

| | |
|---------------------|--|
| Standard Color | Silver |
| Construction | Aluminum extrusion and heavy-duty steel, IP40 |
| CPU | Intel® Celeron® N3350 2.4 GHz with turbo boost Intel® Pentium® N4200 2.5 GHz with turbo boost |
| System Memory | 1 x 204-pin DDR3L-1600 SO-DIMM, up to 8GB |
| Chipset | SoC integrated |
| BIOS | AMI UEFI BIOS |
| System I/O Outlet | 1 x RS-232 2 x HDMI 1.4b 2 x 10/100/1000 Mbps Ethernet (Intel® i211-AT) 2 x USB 3.0 4 x USB 2.0 4 x Antenna opening 1 x ATX power switch 1 x ATX/AT quick switch 1 x Reset switch connector 1 x Remote power switch 1 x Screw type VDC power input connector |
| Watchdog Timer | 255 levels, 1 to 255 sec. |
| Storage | 1 x 2.5" SATA HDD drive bay (max. up 9.5 mm height) |
| Expansion Interface | 2 x Full-size PCI Express Mini Card slot (USB + PCIe) 1 x SIM slot |
| TPM | N/A |
| System Indicator | 1 x Green LED for system power-on 1 x Orange LED for HDD active |
| Power Input | 12 VDC |

Specifications

| | |
|-----------------------|--|
| Operating Temperature | -5°C to +60°C (+23°F to +140°F) (with W.T. DRAM & SSD) |
| Storage Temperature | -20°C to +85°C (-4°F to +185°F) |
| Humidity | 10%- 90%, non-condensing |
| Vibration Endurance | 3 Grms with SSD (5 to 500 Hz, X, Y, Z directions) |
| Dimensions | 216 mm (8.5") x 137.65 mm (5.41") x 38 mm (1.49") |
| Weight (net/gross) | 1.15 kg (2.53 lb)/1.5 kg (3.3 lb) |
| Certifications | CE, FCC Class A, UKCA |
| EOS Support | Win 10 IoT, Linux |

Packing List

1 x Screw pack
4 x Pre-installed foot pad
1 x HDD rubber
1 x Remote switch cable

Power Protection

AC Version

OVP (over voltage protection)
OCP (over current protection)
SCP (short circuit protection)

Ordering Information

Standard

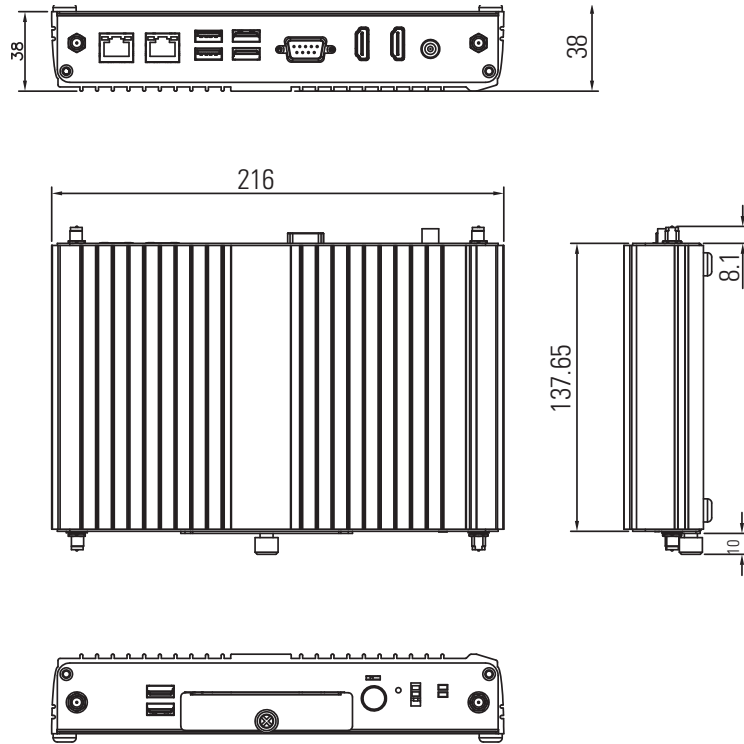
| | |
|--|--|
| eBOX100-312-FL-DC-N3350 (P/N: E36K100110) | Fanless embedded system with Intel® Celeron® N3350 2.4 GHz, 2 HDMI, 2 GbE LAN and 6 USB (w/o adapter and power cord) |
| eBOX100-312-FL-DC-N4200 (P/N: E36K100111) | Fanless embedded system with Intel® Pentium® N4200 2.5 GHz, 2 HDMI, 2 GbE LAN and 6 USB (w/o adapter and power cord) |

Optional

| | |
|---------------|-------------------------------------|
| 2.5" SATA HDD | 64GB or above |
| 2.5" SATA SSD | 100GB or above |
| DDR3L SO-DIMM | 2GB to 8GB |
| 8816K6271AOE | Wall mount kit |
| 8816K1000AOE | VESA mount kit |
| 881606470AOE | DIN-rail kit |
| | Wi-Fi/LTE module |
| 50956A24030E | 12V 36W power adapter Power cord |

*Specifications and certifications may vary based on different requirements.

Dimensions



2

DIN-rail Embedded Systems

Axiomtek's ICO series provides industrial IoT gateway solutions, specifically designed for intelligent computing and communication applications such as power plant automation, intelligent transportation systems, unmanned control room and more. We also provide RISC-based DIN-rail embedded systems for remote control/monitoring management applications and a wide range of network appliances featuring high-performance processors, rich interfaces, multiple communication options and flexibility for versatile security gateway applications. They are ideal for applications that require scalable, reliable, customizable servers and appliances, which have passed industrial tests, and are also in compliance with multiple safety standards.

Selection Guide 107

x86-based Series

| | | | |
|------------|------------------------|--|-----|
| NEW | ICO520 | DIN-rail Fanless Embedded System with Intel® Core™ i7/i5/i3/Celeron® Processor, 4 LAN, 1 HDMI, 1 DisplayPort Isolated COM and DIO | 111 |
| | ICO500-518 | Robust DIN-rail Fanless Embedded System with 7th Gen Intel® Core™ i7/i5/i3 & Celeron® Processor, and Dual Modular I/O Expansion Design | 113 |
| NEW | ICO330 | DIN-rail Fanless Embedded System with Intel Atom® x6212RE or x6414RE Processor, 3 LAN, Isolated COM and DIO | 116 |
| | ICO300-83M (ATEX/C1D2) | Robust DIN-rail Fanless Embedded System with Intel® Atom® Processor x5-E3930/x5-E3940, Isolated COM, LAN, and DIO with ATEX/C1D2 Certification | 118 |
| | ICO300-83B | Robust DIN-rail Fanless Embedded System with Intel® Celeron® Processor N3350/Pentium® Processor N4200, Isolated COM, LAN, and DIO | 120 |
| NEW | ICO120-E3350 | DIN-rail Fanless Embedded System with Intel® Celeron® Processor N3350, COM/CAN/DIO, 2 LAN, and 2 USB | 123 |

RISC-based DIN-rail Embedded Systems

| | | | |
|--|----------------|--|-----|
| | rBOX630 | Robust RISC-based DIN-rail Fanless Embedded System with i.MX 6 Processor 4 COM, 2 CAN Bus, and DIO | 125 |
| | IFB122 | Robust RISC-based DIN-rail Fanless Embedded System with i.MX 6UL Processor, 2 COM, 2 LAN, and DIO (2-in/1-out) | 128 |
| | Agent200-FL-DC | Robust RISC-based DIN-rail Fanless Embedded System with i.MX 6UL Processor, 1 COM, 1 LAN, and DIO (4-in/4-out), CANbus | 131 |

DIN-Rail Cybersecurity Gateways

| | | | |
|------------|--------|---|-----|
| NEW | iNA200 | DIN-rail Cybersecurity Gateway with Intel Atom® x6212RE/x6414RE Processor and up to 6 LAN | 133 |
| | iNA100 | DIN-Rail Cybersecurity Gateway with Intel Atom® x5-E3930/E3940 Processor and 4 LAN | 135 |

x86-based DIN-rail Embedded Systems

Selection Guide

NEW



NEW



| Features\Models | ICO520 | ICO500-518 | ICO330 |
|------------------------|---|---|--|
| CPU Level | Intel® Core™ i7-1265UE (10-core, 1.7 GHz) Intel® Core™ i5-1245UE (10-core, 1.5GHz) Intel® Core™ i3-1215UE (6-core, 1.2 GHz) Intel® Celeron® 7305E (5-core, 1.00 GHz) | Intel® Core™ i7-7600U 2.8 GHz Intel® Core™ i5-7300U 2.6 GHz Intel® Core™ i3-7100U 2.4 GHz Intel® Celeron® 3965U 2.2 GHz | Intel Atom® x6212RE (2-core, 1.20 GHz) Intel Atom® x6414RE (4-core, 1.50 GHz) |
| System Memory | SO-DIMM DDR4-3200, up to 32GB | DDR4-2133 SO-DIMM, up to 16GB | 1 x DDR4-3200 SO-DIMM, up to 32GB |
| Chipset | SoC integrated | SoC integrated | SoC integrated |
| TPM | TPM 2.0 | TPM 2.0 | TPM 2.0 |
| Serial | N/A (MIO modules w/ more COM ports) | 1 x DB9 RS-232/422/485 (MIO modules w/ more COM ports) | 2 x terminal block isolated RS-232/422/485 (MIO modules w/ more COM ports) |
| CANbus | N/A | N/A | N/A |
| Display | 2 x HDMI | 1 x VGA 1 x HDMI | 1 x HDMI |
| Ethernet | 4 x RJ-45 isolated 2.5 Gbps (Intel® I226-IT) | 2 x 10/100/1000 Mbps (Intel® i210-IT) | 3 x RJ-45 isolated 2.5 Gbps (Intel® I226-IT) |
| Expansion Interface | 1 x M.2 Key B 3050/3052: 1 x Full-size Rev.1.2 mPCIe Card slot 1 x Half-size Rev.1.2 mPCIe Card slot 2 x SIM slot 1 x MIO | 2 x Full-size mPCIe Card slot 1 x External SIM card slot | 1 x M.2 Key B 3050/3052 1 x Full-size Rev.1.2 mPCIe Card slot 1 x Half-size Rev.1.2 mPCIe Card slot 2 x SIM slot 1 x MIO |
| DIO | N/A (MIO modules w/ more COM ports) | 1 x Isolated 4-in/4-out DIO (terminal block) | N/A (MIO modules w/ more COM ports) |
| USB | 4 x USB 3.1 | 4 x USB 3.0 | 2 x USB 3.1 |
| Storage | 1 x Internal 2.5" SATA drive 1 x mSATA (occupied 1 x mPCIe Card slot) 1 x M.2 (PCIe Gen4x4): NVMe (2242/2280, optional) 1 x eMMC (optional) | 1 x External CFast™ 1 x 2.5" SATA SSD/HDD | 1 x Internal 2.5" SATA drive 1 x mSATA (occupied 1 x mPCIe Card slot) 1 x M.2 (PCIe Gen3x2): NVMe (2242/2280, optional) 1 x eMMC (optional) |
| Watchdog Timer | 255 levels, 1 to 255 sec. | 255 levels, 1 to 255 sec. | 255 levels, 1 to 255 sec. |
| Power Input | 9 to 36 VDC (terminal block) 12 to 24 VDC (typical) | 12 to 48 VDC (terminal block) | 9 to 36 VDC (terminal block) 12 to 24 VDC (typical) |
| Operating Temperature | -40°C to +70°C (-40°F to +158°F) | -40°C to +70°C (-40°F to +158°F) w/ 2 PIM (PIM700 excluded) -40°C to +60°C (-40°F to +140°F) w/ 1 PIM700, 1 the other PIM -40°C to +50°C (-40°F to +122°F) W/ 2 PIM700 | -40°C to +70°C (-40°F to +158°F) |
| Dimensions (W x D x H) | 83 x 110 x 155 mm (3.27" x 4.33" x 6.1") | 145 x 125 x 155 mm (5.70" x 4.92" x 6.10") | 51 x 110 x 155 mm (20.08" x 4.33" x 6.1") |
| Weight (net/gross) | 1.0 kg (2.2 lb)/1.50 kg (3.3 lb) | 2.2 kg (4.85 lb)/2.7 kg (5.95 lb) (PIM module excluded) | 1.0 kg (2.2 lb)/1.50 kg (3.3 lb) |
| Certifications | CE, FCC | CE, FCC | CE, FCC |
| Mounting | DIN-rail, Wall mount (optional) | DIN-rail, Wall mount (optional) | DIN-rail, Wall mount (optional) |
| EOS Support | Windows® 10 IoT, Linux | Windows® 10 IoT, Linux | Windows® 10 IoT, Linux |
| Software Support | eAPI | eAPI | eAPI |



| Features\Models | ICO300-83M (ATEX/C1D2) | ICO300-83B | ICO120-E3350 |
|------------------------|--|--|---|
| CPU Level | Intel Atom® x5-E3930/x5-E3940 | Intel® Celeron® N3350 1.1 GHz Intel® Pentium® N4200 1.1 GHz | Intel® Celeron® N3350 1.1 GHz |
| System Memory | 1 x DDR3L-1866 SO-DIMM, up to 8GB | 1 x DDR3L 1866 SO-DIMM, up to 8GB | 1 x DDR3L 1866 SO-DIMM, up to 8GB |
| Chipset | SoC integrated | SoC integrated | SoC integrated |
| TPM | TPM 2.0 | TPM 2.0 | TPM 2.0 |
| Serial | 2 x Isolated RS-232/422/485 (Phoenix Type) 4 x Isolated RS-232/422/485 (4-wire, Phoenix Type) | 4 x DB9 Isolated RS-232/422/485 (ICO300-83B-4COM) 2 x DB9 Isolated RS-232/422/485 (ICO300-83B-2COM) | DB9 RS-232/422/485 (maxima number of ports are 2 and share DB9 amount with CAN) |
| CANbus | N/A | N/A | CAN 2.0 A/B (maxima number of ports are 2 and share DB9 amount with Serial) |
| Display | 1 x HDMI | 1 x HDMI | 1 x HDMI |
| Ethernet | 3 x 10/100/1000 Mbps (Intel® i211-AT) | 2 x 10/100/1000 Mbps (Intel® i211-AT) | 2 x 10/100/1000 Mbps (Intel® i210-IT) |
| Expansion Interface | 1 x M.2 Key B 3052 1 x Full-size Rev.1.2 mPCIe Card slot 1 x Half-size Rev.1.2 mPCIe Card slot | 2 x Full-size mPCIe Card slot | 1 x Full-size Rev.1.2 mPCIe Card slot 1 x Half-size Rev.1.2 mPCIe Card slot |
| DIO | 1 x Isolated 8-in/8-out DIO | 1 x 8-bit programmable DIO | 1 x 8-bit programmable DIO (share bottom side DB9 with Serial and CAN) |
| USB | 2 x USB 3.0 | 4 x USB 3.0 | 2 x USB 2.0 |
| Storage | 1 x mSATA 1 x Internal 2.5" SATA drive 1 x eMMC on board (optional) | 1 x mSATA 1 x 2.5" SATA SSD/HDD | 1 x mSATA 1 x eMMC on board (optional) |
| Watchdog Timer | 255 levels, 1 to 255 sec. | 255 levels, 1 to 255 sec. | 255 levels, 1 to 255 sec. |
| Power Input | 9 to 36 VDC (typical is 12 to 24VDC) | 12 to 24 VDC (terminal block) | 9 to 36 VDC (terminal block, typical is 12 to 24VDC) |
| Operating Temperature | -40°C to +75°C (-40°F to +167°F) | -40°C to +70°C (-40°F to +158°F) | -40°C to +70°C (-40°F to +158°F) |
| Dimensions (W x D x H) | 66 x 110 x 155 mm (2.48" x 4.33" x 6.1") | 48 x 110 x 155 mm (1.88" x 4.33" x 6.1") | 31 x 100 x 125 mm (1.22" x 3.93" x 4.92") |
| Weight (net/gross) | 1.0 kg (2.2 lb)/1.50 kg (3.3 lb) | 1.0 kg (2.2 lb)/1.50 kg (3.3 lb) | 0.3 kg (0.67 lb)/0.45 kg (0.99 lb) |
| Certifications | CE, FCC, ATEX, C1D2 | CE, FCC | CE, FCC, UL |
| Mounting | DIN-rail, Wall mount (optional) | DIN-rail, Wall mount (optional) | DIN-rail, Wall mount (optional) |
| EOS Support | Windows® 10 IoT, Linux | Windows® 10 IoT, Linux | Windows® 10 IoT, Linux |
| Software Support | eAPI | eAPI | eAPI |

RISC-based DIN-rail Embedded Systems

Selection Guide



| Features\Models | rBOX630 | IFB122 | Agnet200-FL-DC |
|-----------------------|--|--|--|
| CPU Level | NXP i.MX 6, ARM® Cortex®-A9, 800 MHz | NXP i.MX 6UltraLite, ARM® Cortex®-A7, 528 MHz | NXP i.MX 6UltraLite, ARM® Cortex®-A7, 528 MHz |
| System Memory | 1 x DDR3-1600 1GB onboard | 1 x DDR3-1600 256MB onboard | 1 x DDR3L-1600 256MB onboard |
| Serial | 4 x RS-232/422/485 | 2 x RS-232/422/485 (selected by software) | 1 x RS-232/422/485 (selected by software) |
| CANbus | 2 x CAN 2.0 B | N/A | 1x CANBus |
| Console | Yes For user setting with debug | Yes For user setting with debug | Yes For user setting with debug |
| Ethernet | 1 x 10/100/1000 Mbps 1 x 10/100 Mbps (isolation 1.5 kV) | 2 x 10/100 Mbps (isolation 1.5 kV) | 1 x 10/100 Mbps (isolation 1.5 kV) |
| Expansion Interface | 1 x mPCIe Card slot (USB signal only) 1 x mPCIe Card slot (supports USB & PCIE interface) | 1 x mPCIe Card slot (USB signal only) 1 x SIM card socket | 2 x mPCIe Card slot (USB signal only) 1 x SIM card socket |
| DIO | 1 x DIO (8-in/ 8-out) (isolation 2 kV) | 1 x DIO (2-in/1-out) | 1 x DIO (4-in/4-out) |
| USB | 1 x USB 2.0 OTG | 1 x USB 2.0 | 1 x USB 2.0 |
| Display | 1x HDMI | N/A | N/A |
| Storage | 1 x eMMC 8GB flash onboard 1 x SDHC Card | 1 x eMMC 4GB onboard | 1 x eMMC 4GB onboard 1 x Micro SD card slot |
| Watchdog Timer | 1 to 255 sec. (time resolution of 1 sec.) | 0.5 to 128 sec. (time resolution of 0.5 sec.) | 0.5 to 128 sec. (time resolution of 0.5 sec.) |
| Power Input | 12 to 48 VDC | 9 to 48 VDC | 9 to 48 VDC |
| Operating Temperature | -40°C to +70°C (-40°F to +158°F) | -40°C to +70°C (-40°F to +158°F) | -40°C to +70°C (-40°F to +158°F) |
| Dimension (W x D x H) | 55 x 155 x 110 mm (2.16" x 6.10" x 4.33") | 31 x 100 x 125 mm (1.22" x 3.94" x 4.92") | 31 x 100 x 125 mm (1.22" x 3.94" x 4.92") |
| Weight (net/gross) | 0.9 kg (2.0 lb)/1.3kg (2.87 lb) | 0.3 kg (0.66 lb)/0.44 kg (0.97 lb) | 0.3 kg (0.66 lb)/0.44 kg (0.97 lb) |
| Certification | Heavy Industrial CE, FCC Part 18, UL60950-1 | CE, FCC | CE, FCC |
| OS Support | Yocto (Linux Kernel: 5.10) | Yocto (Linux Kernel: 5.10) | Yocto (Linux Kernel: 5.10) |
| Mounting | DIN-rail, wall mount (optional) | DIN-rail, wall mount (optional) | DIN-rail, wall mount (optional) |

DIN-Rail Cybersecurity Gateways

Selection Guide

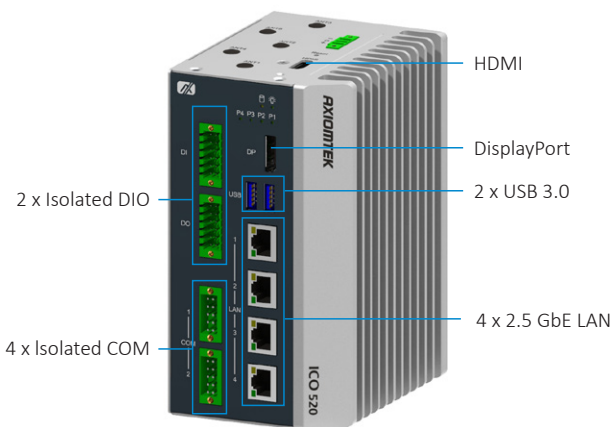
NEW



| Features \ Models | | iNA200 | iNA100 |
|------------------------|--------------|---|---|
| Form Factor | | DIN-rail, wall mount (optional) | DIN-rail, wall mount (optional) |
| Processor | | Intel Atom® x6212RE/x6414RE (Elkhart Lake) | Intel Atom® x5-E3930/E3940 processor (Apollo Lake) |
| Chipset | | SoC integrated | SoC integrated |
| BIOS | | AMI SPI Flash BIOS | AMI SPI Flash BIOS |
| Memory | Technology | DDR4-3200 | DDR3L-1866 |
| | Max Capacity | 32GB non-ECC | 8GB non-ECC |
| | Socket | 1 x 260-pin SO-DIMM | 1 x 204-pin SO-DIMM |
| Network Interface | Ethernet | 2 x 10/100/1000 Mbps 2 x 2.5 GbE 2 x 1G SFP (Intel® I210-IS) | 4 x 10/100/1000 Mbps |
| Storage | | 1 x eMMC onboard (optional) 1 x 2.5" SSD | 1 x mSATA 1 x 2.5" SSD |
| I/O | Serial | 1 x RS-232/422/485 (DB9) 1 x RS-485 (Terminal block) | 1 x RS-232/422/485 (DB9) |
| | USB | 2 x USB 3.0 | 2 x USB 3.0 |
| | Management | 1 x RJ-45 for Console | N/A |
| | Display | 1 x HDMI | 1 x HDMI |
| Expansion Interface | | 1 x M.2 Key B 3042/3052 slot (PCIe + USB interface) 1 x Full-size mPCIe Card slot (USB + SATA interface) | 1 x Half-size mPCIe Card slot (SATA/USB signal) 1 x Full-size mPCIe Card slot (USB signal) |
| TPM | | TPM 2.0 | TPM 2.0 |
| Fanless | | Yes | Yes |
| Power Supply | | 9-36 VDC | 9-36 VDC |
| Operating Temperature | | -40°C to +70°C (-40°F to +158°F) | -40°C to +70°C (-40°F to +158°F) |
| OS Support | | Win 10, Linux | Win 10, Linux |
| Dimensions (W x D x H) | | 66 x 127 x 150 mm (2.6" x 5" x 5.9") | 51 x 110 x 150 mm (2.01" x 4.33" x 5.9") |
| Certifications | | CE/FCC | CE/FCC |

IC0520 NEW

DIN-rail Fanless Embedded System with Intel® Core™ i7/i5/i3/Celeron® Processor, 4 LAN, 1 HDMI, 1 DisplayPort Isolated COM and DIO



▲ Front view

Features

- High performance with fanless and DIN-rail design
- 12th gen Intel® Core™ i7/i5/i3 or Celeron® processor (Alder Lake-P)
- 4 isolated COM, isolated DIO (8-in/8-out), 4 2.5 GbE LAN
- Wide operating temperature range from -40°C to +70°C
- 9 to 36 VDC, typical 12-24V power input with OVP, UVP, OCP, RPP
- Supports TPM 2.0
- Supports cold boot at -40°C



Specifications

| | | |
|---------------------|---|--|
| Standard Color | Silver | |
| Construction | Extruded aluminum and heavy-duty steel, IP40 | |
| CPU | Intel® Core™ i7-1265UE (1.7GHz/10C/15W) Intel® Core™ i5-1245UE (1.5GHz/10C/15W) Intel® Core™ i3-1215UE (1.2GHz/6C/15W) Intel® Celeron® 7305E (1GHz/5C/15W) | |
| Chipset | SoC integrated | |
| System Memory | 1 x DDR4-3200 SO-DIMM, up to 32GB | |
| BIOS | AMI | |
| TPM | TPM 2.0 | |
| System I/O Outlet | Serial | 4 x Isolated RS-232/422/485 (4-wire, Phoenix Type, on MIO module) Isolation voltage: 1.5 kV |
| | Display | 2 x HDMI |
| | USB | 4 x USB 3.1 |
| | Ethernet | 4 x RJ-45 isolated 2.5 GbE LAN (Intel® i226-IT) Isolation voltage: 1.5 kV |
| | DIO | 1 x Isolated 8-in/8-out DIO (on MIO module) |
| | Others | 5 x Antenna opening |
| Extension Interface | 1 x M.2 Key B 3050/3052: PCIe/USB (for 5G/Wi-Fi) | |
| | 1 x Full-size Rev.1.2 PCI Express Mini Card slot: PCIe/USB (for LTE/Wi-Fi) | |
| | 1 x Half-size Rev.1.2 PCI Express Mini Card slot: USB/SATA (for Wi-Fi/mSATA) | |
| | 2 x SIM slot (1 for M.2; 1 for full-size PCI Express Mini Card) | |
| | 1 x MIO | |
| Storage | SATA Drive | 1 x Internal 2.5" SATA Drive 1 x mSATA (occupied 1 x PCI Express Mini Card slot) 1 x M.2 (PCIe Gen4x4): NVMe (2242/2280) (optional) 1 x eMMC (optional) |
| | Watchdog Timer | 255 levels, 1 to 255 sec. |
| | Power Supply | 1 x Terminal block, 9 to 36 VDC, typical 12/24V |
| | System Indicators | 1 x LED indicator for SATA drive 1 x LED indicator for power 4 x Programmable LED |

Specifications

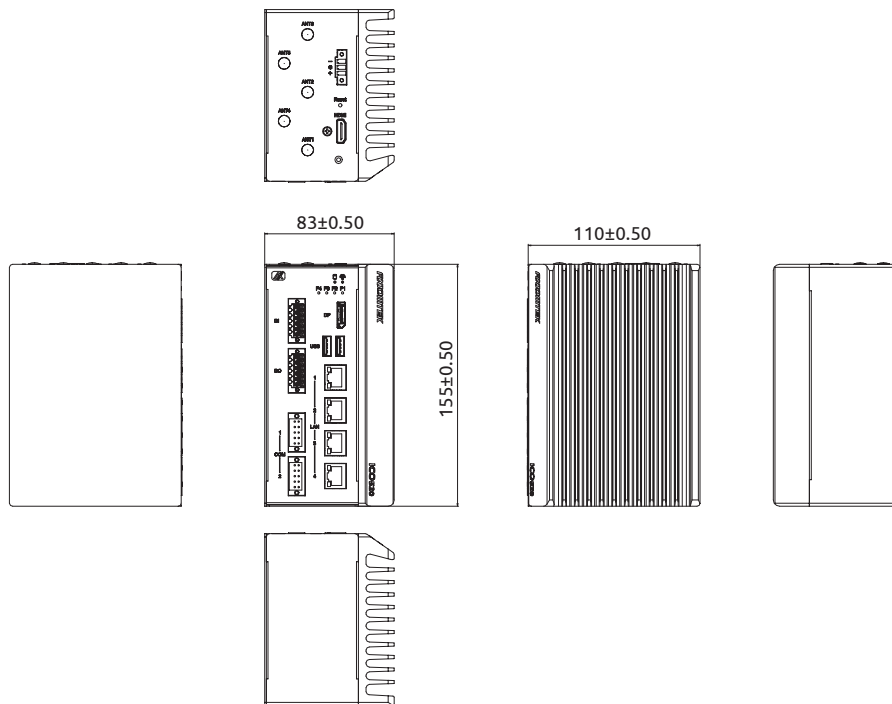
| | |
|-----------------------------|---|
| Operating Temperature | -40°C to +70°C (-40°F to +158°F) Cold boot at -40°C |
| Humidity | 10% to 95% |
| Vibration Endurance | 3 Gms with storage (5 to 500Hz, X/Y/Z direction; random, operating) |
| Dimensions (TBC) | 83 mm (W) x 110 mm (D) x 155 mm (H) |
| Weight (net/gross) (TBC) | 1.0 kg (2.2 lb)/1.50 kg (3.3 lb) |
| Certifications | CE (Class A), FCC (Class A) |
| EMC | CE/FCC |
| EOS Support | Windows® 10 IoT, Linux |
| Software Support | eAPI |

* Wide Temperature. All W.T. supported products have to be sorted by Axiomtek.

Ordering Information

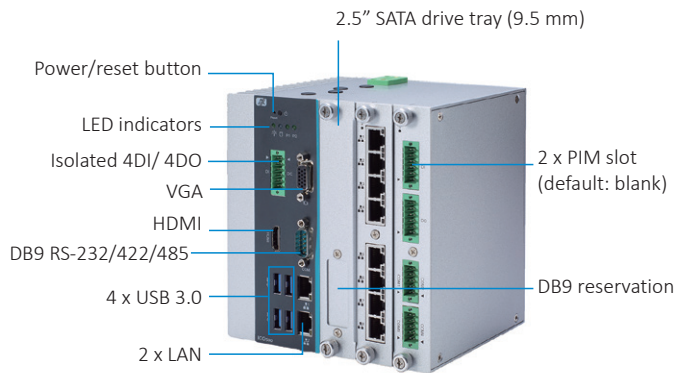
| | |
|--------|---|
| IC0520 | DIN-rail Fanless Embedded System with Intel® Core™ i7/i5/i3/Celeron® Processor, 4 LAN, Isolated COM and DIO, 2 Display Output |
|--------|---|

Dimensions



IC0500-518

Robust DIN-rail Fanless Embedded System with 7th Gen Intel® Core™ i7/i5/i3 & Celeron® Processor and Dual Modular I/O Expansion Design



▲ Front view



▲ Top view

▲ Bottom view

Features

- 7th gen Intel® Core™ i7/i5/i3 and Celeron® processors (Kaby Lake-U)
- 2 PIM (Plug-in I/O Module) slots
- Fanless and compact design
- Wide operating temperature range from -40°C to +70°C
- 12 to 48 VDC wide range power input
- OVP, UVP, OCP, RPP power protection design
- 1 swappable 2.5" SATA drive tray



Specifications

| | | |
|---------------------|--|--|
| Standard Color | Silver | |
| Construction | Aluminum extrusion and heavy-duty steel, IP40 | |
| CPU | Intel® Core™ i7-7600U 2C @ 2.8GHz Intel® Core™ i5-7300U 2C @ 2.6GHz Intel® Core™ i3-7100U 2C @ 2.4 GHz Intel® Celeron® 3965U 2C @ 2.2 GHz | |
| System Memory | 1 x DDR4-2133 SO-DIMM, up to 16GB | |
| Chipset | SoC integrated | |
| BIOS | AMI | |
| TPM | TPM 2.0 | |
| System I/O Outlets | Top Side | 1 x DC power input with terminal block 4 x Antenna opening |
| | Bottom Side | External SIM slot & CFast™ card |
| | Front Side | 1 x HDMI 2 x GbE LAN 4 x USB 3.0 1 x VGA 1 x DB9 RS-232/422/485 1 x Isolated DIO (4-in/4-out) 1 x 2.5" SATA drive tray 2 x PIM slot |
| Watchdog Timer | 255 levels, 1 to 255 sec. | |
| Storage | 1 x Swappable 2.5" SATA drive (9.5 mm height) ** DIN-rail mounting with SSD 1 x External CFast card | |
| Expansion Interface | 2 x Full-size PCI Express Mini Card slot 1 x External SIM card slot | |

Specifications





| | |
|-----------------------------------|---|
| System Indicator | 1 x LED indicator for system power 1 x LED indicator for HDD activities 2 x Programmable |
| Power Supply | 12 to 48 VDC, OVP, UVP, OCP, RPP power protection design |
| Operating Temperature | -40°C to +70°C (-40°F to +158°F) with 2 PIM modules (PIM700 excluded) -40°C to +60°C (-40°F to +140°F) with 1 PIM700, 1 the other PIM module -40°C to +50°C (-40°F to +122°F) with 2 PIM700 |
| Humidity | 10% to 95%, non-condensing |
| Vibration Endurance (operational) | 3 Grms with SSD, DIN-rail/wall mounting (5 to 500Hz, X/Y/Z direction; random) |
| Weight (net/gross) | 2.2 kg (4.85 lb)/2.7 kg (5.95 lb) (PIM module excluded) |
| Certifications | CE (Class A), FCC, EN 50121-4 |
| Dimensions | 145 mm (5.70") (W) x 125 mm (4.92") (D) x 155 mm (6.10") (H) |
| Mounting | DIN-rail (standard) Wall mount (optional) |
| EOS Support | Windows® 10 IoT Linux support package |
| Software Support | eAPI |

Ordering Information

Standard

| | |
|---|--|
| ICO500-518-CELERON-TPM (P/N: E22C500105) | DIN-rail fanless embedded system with Intel® Celeron® 3965U 2.2 GHz processor, 4 USB 3.0, 2 RJ-45 LAN, COM, DIO (4-in/4-out), TPM 2.0, 2.5" SATA tray, HDMI, VGA |
| ICO500-518-I3-TPM (P/N: E22C500104) | DIN-rail fanless embedded system with Intel® Core™ i3-7100U 2.4 GHz processor, 4 USB 3.0, 2 RJ-45 LAN, COM, DIO (4-in/4-out), TPM 2.0, 2.5" SATA tray, HDMI, VGA |
| ICO500-518-I5-TPM (P/N: E22C500102) | DIN-rail fanless embedded system with Intel® Core™ i5-7300U 2.6 GHz processor, 4 USB 3.0, 2 RJ-45 LAN, COM, DIO (4-in/4-out), TPM 2.0, 2.5" SATA tray, HDMI, VGA |
| ICO500-518-I7-TPM (P/N: E22C500103) | DIN-rail Fanless embedded system with Intel® Core™ i7-7600U 2.8 GHz processor, 4 USB 3.0, 2 RJ-45 LAN, COM, DIO (4-in/4-out), TPM 2.0, 2.5" SATA tray, HDMI, VGA |

I/O Modules

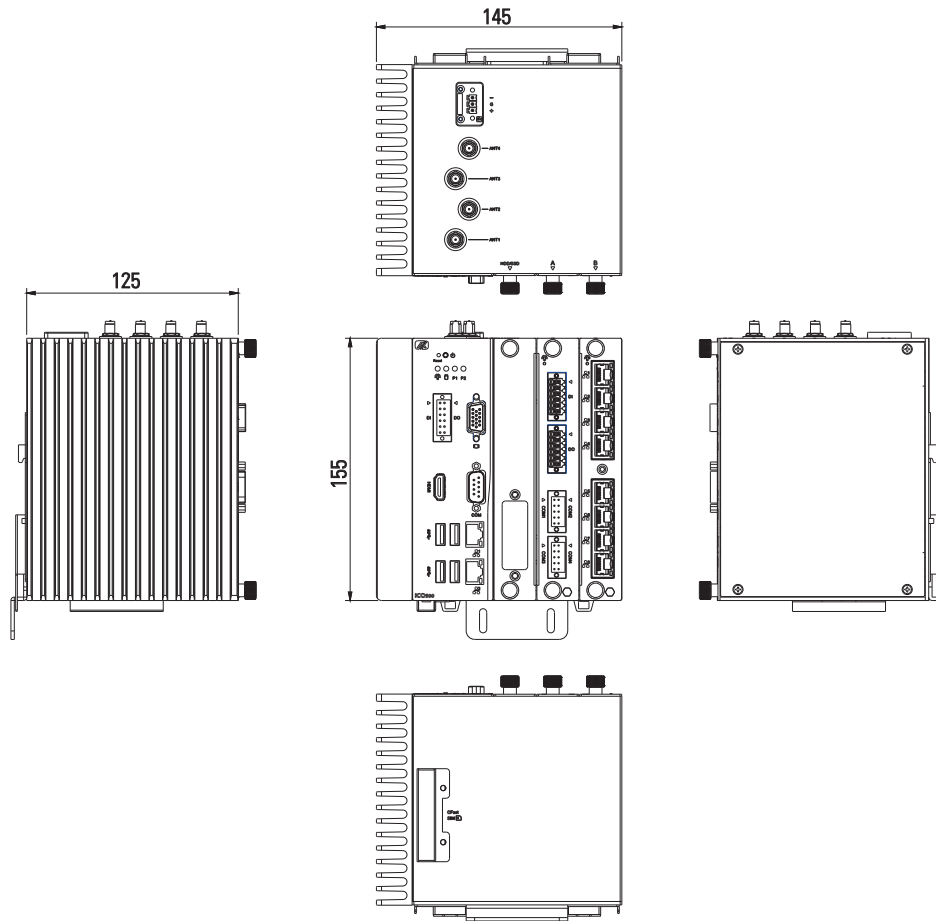
| | | |
|--|---|---|
| PIM100 ISO 8COM (P/N: E27D100100) | 8 x isolated, 4-wire COM (RS-232/422/485) |  |
| PIM101 ISO 8CAN (P/N: E27D101100) | 8 x isolated CANbus 2.0 A/B |  |
| PIM700 8RJ45 LAN (P/N: E27D700100) | 8 x RJ-45 Gigabit Ethernet (Intel® i210-IT) |  |
| PIM900 ISO 4COM + 8DI/8DO (P/N: E27D900100) | 4 x isolated, 4-wire COM (RS-232/422/485) & isolated 8-in/8-out DIO |  |

Optional

| | |
|---------------|---------------|
| 2.5" SATA SSD | 16GB or above |
| CFast™ | 16GB or above |
| DDR4 SO-DIMM | 4GB to 16GB |

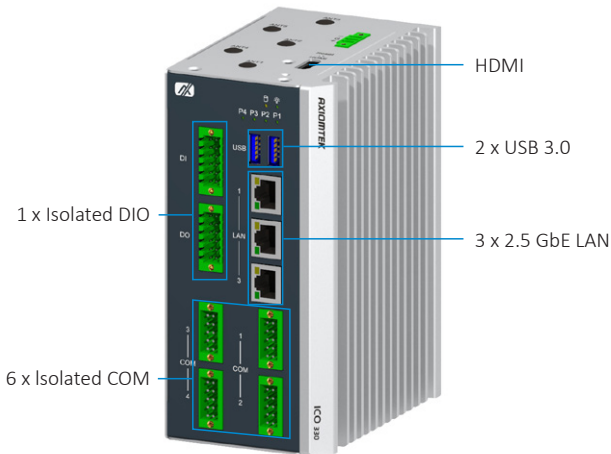
* Specifications and certifications may vary based on different requirements.

Dimensions



IC0330 NEW

DIN-rail Fanless Embedded System with Intel Atom® x6212RE or x6414RE Processor, 3 LAN, Isolated COM and DIO



▲ Front view

Features

- Cost-effective with fanless design
- Intel Atom® x6212RE or x6414RE processor
- 6 isolated COM, isolated DIO (8-in/8-out), 3 2.5 GbE LAN
- Wide operating temperature range from -40°C to +70°C
- 9 to 36 VDC, typical 12-24V power input with OVP, UVP, OCP, RPP
- Supports TPM 2.0
- Supports cold boot at -40°C



Specifications

| | | |
|---------------------|--|--|
| Standard Color | Silver | |
| Construction | Extruded aluminum and heavy-duty steel, IP40 | |
| CPU | Intel Atom® x6212RE processor, 1.2GHz/2C/6W Intel Atom® x6414RE processor, 1.5GHz/4C/9W | |
| Chipset | SoC integrated | |
| System Memory | 1 x DDR4-3200 SO-DIMM, up to 32GB | |
| BIOS | AMI | |
| TPM | TPM 2.0 | |
| System I/O Outlet | Serial | 2 x terminal block isolated RS-232/422/485 (MIO modules w/ more available COM ports) |
| | Display | 1 x HDMI (up to 1920 x 1080 @60Hz) |
| | USB | 2 x USB 3.1 |
| | Ethernet | 3 x RJ-45 isolated 2.5 GbE LAN (Intel® i226-IT) Isolation voltage: 1.5 kV |
| | DIO | 1 x Isolated 8-in/8-out DIO (on MIO module) |
| | Others | 5 x Antenna opening |
| Extension Interface | 1 x M.2 Key B 3050/3052: USB (for 5G/Wi-Fi) | |
| | 1 x Full-size Rev.1.2 PCI Express Mini Card slot: USB (for LTE/Wi-Fi) | |
| | 1 x Half-size Rev.1.2 PCI Express Mini Card slot: USB/PCIe/SATA (for LTE/Wi-Fi/mSATA) | |
| | 2 x SIM slot (1 for M.2; 1 for full-size PCI Express Mini Card) 1 x MIO | |
| Storage | SATA Drive | 1 x Internal 2.5" SATA Drive 1 x mSATA (occupied 1 x PCI Express Mini Card slot) 1 x M.2 (PCIe Gen3x2): NVMe (2242/2280) (optional) 1 x eMMC (optional) |
| | Watchdog Timer | 255 levels, 1 to 255 sec. |
| | Power Supply | 1 x Terminal block, 9 to 36 VDC, typical 12/24V |
| | System Indicators | 1 x LED indicator for SATA drive 1 x LED indicator for power 4 x Programable LED |

Specifications

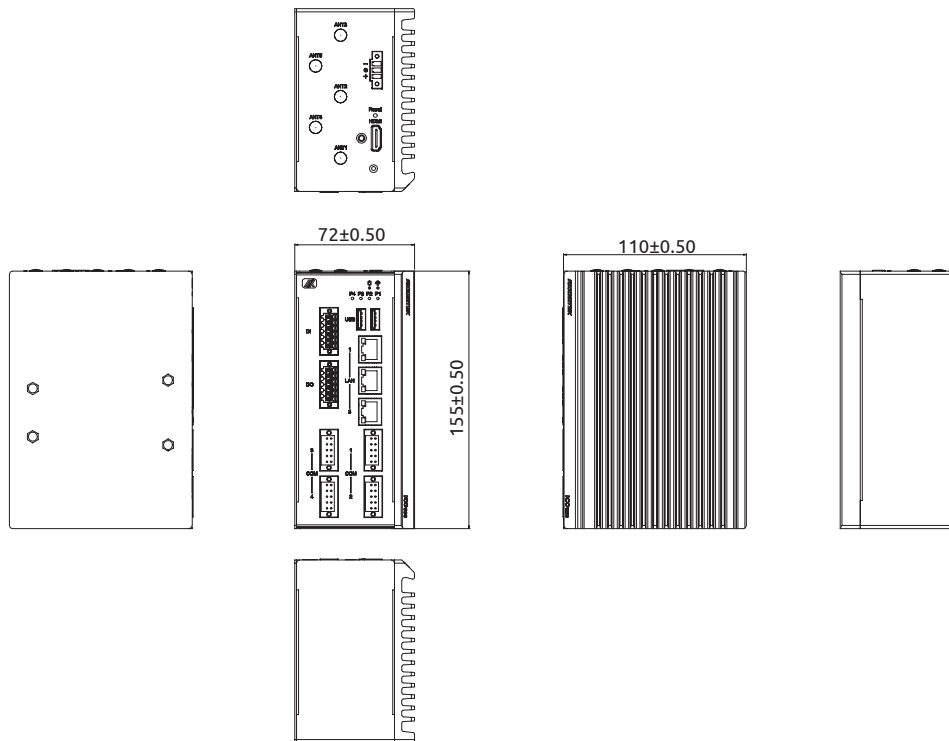
| | |
|-----------------------------|---|
| Operating Temperature | -40°C to +70°C (-40°F to +158°F) Cold boot at -40°C |
| Humidity | 10% to 95% |
| Vibration Endurance | 3 Gms with storage (5 to 500Hz, X/Y/Z direction; random, operating) |
| Dimensions (TBC) | 66 x 110 x 155 mm (2.48" x 4.33" x 6.1") |
| Weight (net/gross) (TBC) | 1.0 kg (2.2 lb)/1.50 kg (3.3 lb) |
| Certifications | CE (Class A), FCC (Class A) |
| EMC | CE/FCC |
| EOS Support | Windows® 10 IoT, Linux |
| Software Support | eAPI |

* Wide Temperature. All W.T. supported products have to be sorted by Axiomtek.

Ordering Information

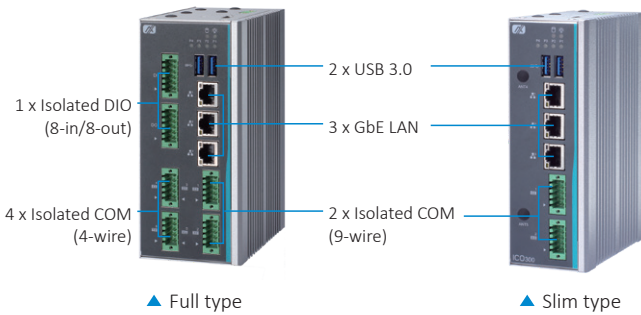
| | |
|--------|---|
| ICO330 | DIN-rail Fanless Embedded System with Intel Atom® x6212RE or x6414RE Processor, 3 LAN, Isolated COM and DIO |
|--------|---|

Dimensions



IC0300-83M

ATEX/CID2 Certified DIN-rail Fanless Embedded System with Intel Atom® x5-E3930/x5-E3940 Processor, Isolated COM, LAN and Isolated DIO



Features

- Cost-effective with fanless design
- Intel Atom® x5-E3930/x5-E3940 Processor
- 6 isolated COM, isolated DIO (8-in/8-out), 3 GbE LAN
- Wide operating temperature range from -40°C to +85°C
- 9 to 36 VDC, typical 12-24V power input with OVP, UVP, OCP, RPP
- Supports TPM 2.0
- ATEX/Class I Division 2 (CID2) certified
- Supports cold boot at -40°C



Specifications

| | | | | | | | | | | | | | |
|---------------------|---|--------|--|---------|------------------------------------|-----|-------------|----------|--|-----|---|--------|---------------------|
| Standard Color | Silver | | | | | | | | | | | | |
| Construction | Extruded aluminum and heavy-duty steel, IP40 | | | | | | | | | | | | |
| CPU | Intel Atom® x5-E3930 processor, 1.3GHz/2C/6.5W Intel Atom® x5-E3940 processor, 1.6GHz/4C/9.5W | | | | | | | | | | | | |
| Chipset | SoC integrated | | | | | | | | | | | | |
| System Memory | 1 x DDR3L-1866 SO-DIMM, up to 8GB | | | | | | | | | | | | |
| BIOS | AMI | | | | | | | | | | | | |
| TPM | TPM 2.0 | | | | | | | | | | | | |
| System I/O Outlet | <table border="0"> <tr> <td>Serial</td> <td>2 x Isolated* RS-232/422/485 (Phoenix type) 4 x Isolated* RS-232/422/485 (4-wire, Phoenix type for full type)</td> </tr> <tr> <td>Display</td> <td>1 x HDMI (up to 1920 x 1080 @60Hz)</td> </tr> <tr> <td>USB</td> <td>2 x USB 3.0</td> </tr> <tr> <td>Ethernet</td> <td>3 x RJ-45 isolated* 10/100/1000 Mbps Ethernet (Intel® i210-IT) *Isolation voltage: 1.5 kV</td> </tr> <tr> <td>DIO</td> <td>1 x Isolated 8-in/8-out DIO (for full type)</td> </tr> <tr> <td>Others</td> <td>5 x Antenna opening</td> </tr> </table> | Serial | 2 x Isolated* RS-232/422/485 (Phoenix type) 4 x Isolated* RS-232/422/485 (4-wire, Phoenix type for full type) | Display | 1 x HDMI (up to 1920 x 1080 @60Hz) | USB | 2 x USB 3.0 | Ethernet | 3 x RJ-45 isolated* 10/100/1000 Mbps Ethernet (Intel® i210-IT) *Isolation voltage: 1.5 kV | DIO | 1 x Isolated 8-in/8-out DIO (for full type) | Others | 5 x Antenna opening |
| Serial | 2 x Isolated* RS-232/422/485 (Phoenix type) 4 x Isolated* RS-232/422/485 (4-wire, Phoenix type for full type) | | | | | | | | | | | | |
| Display | 1 x HDMI (up to 1920 x 1080 @60Hz) | | | | | | | | | | | | |
| USB | 2 x USB 3.0 | | | | | | | | | | | | |
| Ethernet | 3 x RJ-45 isolated* 10/100/1000 Mbps Ethernet (Intel® i210-IT) *Isolation voltage: 1.5 kV | | | | | | | | | | | | |
| DIO | 1 x Isolated 8-in/8-out DIO (for full type) | | | | | | | | | | | | |
| Others | 5 x Antenna opening | | | | | | | | | | | | |
| Extension Interface | 1 x M.2 Key B 3052: USB 3.0 /PCIe (optional) 1 x Full-size Rev.1.2 PCI Express Mini Card slot: USB (for LTE/Wi-Fi module) 1 x Half-size Rev.1.2 PCI Express Mini Card slot: USB/mSATA (for mSATA) 2 x SIM slot (1 for M.2; 1 for full-size PCI Express Mini Card) | | | | | | | | | | | | |
| Storage | SATA Drive 1 x mSATA (occupied 1 x PCI Express Mini Card slot) 1 x Internal 2.5" SATA drive (9.5 mm height) 1 x 8G eMMC on board | | | | | | | | | | | | |
| Watchdog Timer | 255 levels, 1 to 255 sec. | | | | | | | | | | | | |
| Power Supply | 1 x Terminal block, 9 to 36 VDC, typical 12/24V | | | | | | | | | | | | |
| System Indicators | 1 x LED indicator for SATA drive 1 x LED indicator for power 4 x Programmable LED | | | | | | | | | | | | |

Specifications

| | |
|-----------------------|---|
| Operating Temperature | -40°C to +75°C (-40°F to +167°F) Cold boot at -40°C Supports +85°C operating temperature under condition |
| Humidity | 10% to 95% |
| Vibration Endurance | 3 Gms with storage (5 to 500Hz, X/Y/Z direction; random, operating) |
| Dimensions | 51 mm (2.0") (W) x 110 mm (4.33") (D) x 155 mm (6.1") (H) (slim type) 66 mm (2.48") (W) x 110 mm (4.33") (D) x 155 mm (6.1") (H) (full type) |
| Weight (net/gross) | 1.0 kg (2.2 lb)/1.50 kg (3.3 lb) |
| Certifications | CE (Class A), FCC (Class A) |
| EMC | CE/FCC UL, ATEX/Class I Division 2 |
| EOS Support | Windows® 10 IoT, Linux |
| Software Support | eAPI |

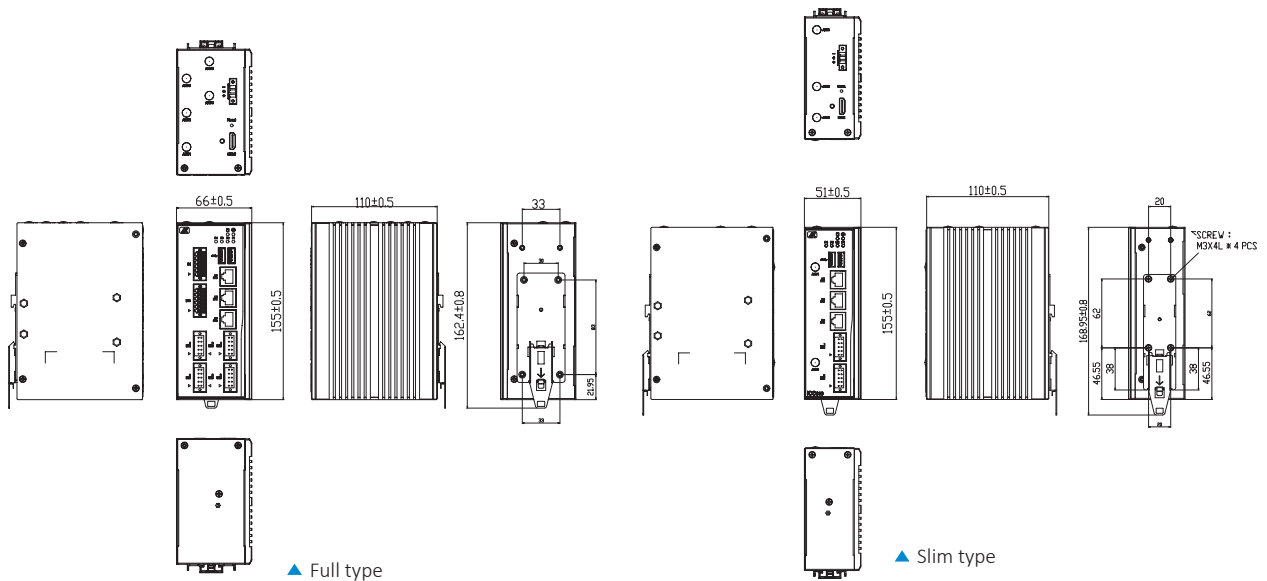
* See Ordering information

** Wide Temperature. All W.T. supported products have to be sorted by Axiomtek.

Ordering Information

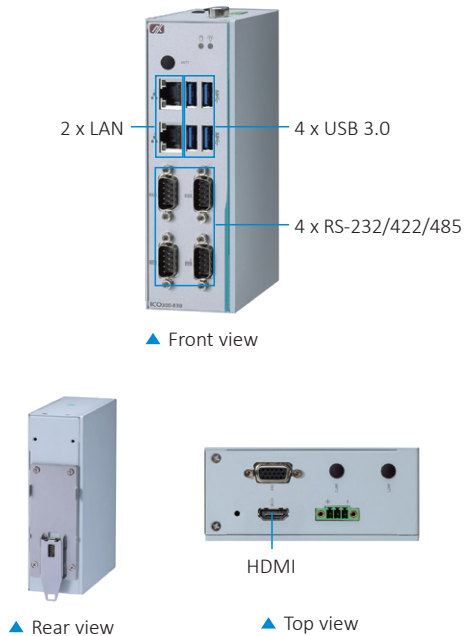
| | |
|--------------------------------------|--|
| ICO300-83M (P/N: E22C300154) | ATEX/CID2 certified DIN-rail fanless embedded system with Intel Atom® x5-E3930 processor, 1 HDMI, 3 GbE LAN, 6 isolated COM, 1 isolated DIO, 2 USB, WT |
| ICO300-M3930S-A (P/N: E22C300160) | ATEX/CID2 certified DIN-rail fanless embedded system with Intel Atom® x5-E3930 processor, 1 HDMI, 3 GbE LAN, 2 isolated COM, 2 USB, WT |
| ICO300-M3940-A (P/N: E22C300161) | ATEX/CID2 certified DIN-rail fanless embedded system with Intel Atom® x5-E3940 processor, 1 HDMI, 3 GbE LAN, 6 isolated COM, 1 isolated DIO, 2 USB, WT |
| ICO300-M3940S-A (P/N: E22C300162) | ATEX/CID2 certified DIN-rail fanless embedded system with Intel Atom® x5-E3940 processor, 1 HDMI, 3 GbE LAN, 2 isolated COM, 2 USB, WT |

Dimensions



ICO300-83B

Robust DIN-rail Fanless Embedded System with Intel® Celeron® Processor N3350/Pentium® Processor N4200, Isolated COM, LAN and DIO



Features

- Cost-effective with fanless and cableless design
- Intel® Celeron® processor N3350/Pentium® processor N4200, reliable F1 stepping version CPU
- 4 isolated COM, 4 USB, 2 GbE LAN
- 8-bit programmable DIO for IoT gateway applications
- Wide operating temperature range from -40°C to +70°C
- 12 to 24 VDC wide range power input
- OVP, UVP, OCP, RPP power protection design
- eAPI intelligent remote monitoring software for IIoT



Specifications

| | | |
|---------------------|--|--|
| Standard Color | Silver | |
| Construction | Extruded aluminum and heavy-duty steel, IP30 | |
| CPU | Intel® Celeron® N3350 2C @1.1 GHz, TDP: 6W Intel® Celeron® N4200 4C @1.1 GHz, TDP: 6W | |
| Chipset | SoC integrated | |
| System Memory | 1 x DDR3L-1866 SO-DIMM, up to 8GB | |
| BIOS | AMI | |
| TPM | TPM 2.0 | |
| System I/O Outlet | Serial | 4 x DB9 Isolated RS-232/422/485 (ICO300-83B-4COM) 2 x DB9 Isolated RS-232/422/485 (ICO300-83B-2COM) |
| | Display | 1 x HDMI (up to 1920 x 1200 @60Hz) |
| | USB | 4 x USB 3.0 |
| | Ethernet | 2 x RJ-45 isolated* 10/100/1000 Mbps Ethernet (Intel® i211-AT) *isolation voltage: 1.5 kV |
| | DIO | 1 x DB9 8-bit programmable DIO |
| | Others | 3 x Antenna opening |
| Extension Interface | 2 x Full-size Rev. 1.2 PCI Express Mini Card slot: • 1 x USB/PCIe with SIM socket • 1 x mSATA/USB/PCIe | |
| Storage | SATA Drive | 1 x mSATA (occupied 1 x PCI Express Mini Card slot) 1 x Internal 2.5" SATA drive (9.5 mm height) |
| Watchdog Timer | 255 levels, 1 to 255 sec. | |
| Power | Power Supply | 1 x Terminal block, 12 to 24 VDC |
| | Power | 12 to 24VDC, 2.82-1.34A |
| | Consumption | |
| System Indicator | 1 x LED indicator for SATA drive activity | |
| | 1 x LED indicator for power | |

Specifications

| | | |
|-----------------------|---|---|
| Operating Temperature | -40°C to +70°C (-40°F to +158°F) with W.T. peripheral** | |
| Humidity | 0% to 95% | |
| Vibration Endurance | 3 Gms with storage (5 to 500Hz, X/Y/Z direction; random, operating) | |
| Weight (net/gross) | 1.0 kg (2.2 lb)/1.50 kg (3.3 lb) | |
| Certifications | CE (Class A), FCC (Class A) | |
| EMC | CE/FCC | EN 55032 (Class A), EN 55024, FCC part 15 B (Class A) |
| Dimensions | 48 mm (1.88") (W) x 110 mm (4.33") (D) x 155 mm (6.1") (H) | |
| EOS Support | Windows® 10 IoT, Linux | |
| Software Support | eAPI | |

* See Ordering information

** Wide Temperature. All W.T. supported products have to be sorted by Axiomtek.

Ordering Information

Standard

| | | |
|--|--|----------------|
| ICO300-83B-N3350-4ICOM / 4COM-HDMI-DIO-WT-DC (P/N: E22C300144) for Isolation COM (P/N: E22C300146) for Non-Isolation COM | Robust DIN-rail Fanless Embedded System with Intel® Celeron® Processor N3350 (1.1GHz) 4 COM 2 GbE 4 USB, HDMI, DIO, operating temperature -40°C to 70°C, TPM2.0 reserved | N3350 CPU SKUs |
| ICO300-83B-N4200-4ICOM / 4COM-HDMI-DIO-WT-DC (P/N: E22C300147) for Isolation COM (P/N: E22C300145) for Non-Isolation COM | Robust DIN-rail Fanless Embedded System with Intel® Celeron® Processor N4200 (1.1GHz) 4 COM 2 GbE 4 USB HDMI, DIO, operating temperature -40 to 70°C, TPM2.0 reserved | N4200 CPU SKUs |

*4ICOM: with 4 x Isolation COM ports

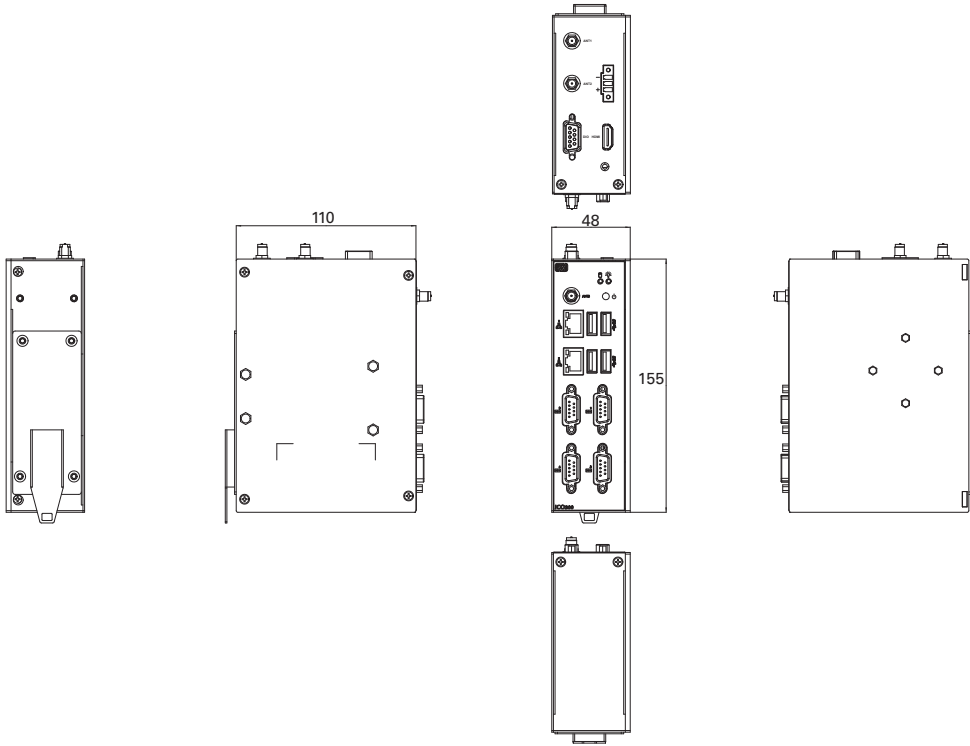
*4COM: with 4 x Non-Isolation COM ports

Optional

| | | |
|------------------|--------------|--|
| AC to DC Adapter | 50956A24040E | Adapter 12V36W FSP036-RHBN3 with wire type |
|------------------|--------------|--|

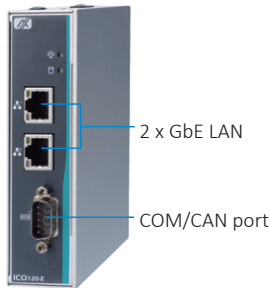
* Specifications and certifications may vary based on different requirements.

Dimensions



IC0120-E3350 NEW

DIN-rail Fanless Embedded System with Intel® Celeron® Processor N3350, COM/CAN/DIO, 2 LAN, 2 USB, HDMI, WT



▲ Front view



▲ Rear view



2 x USB

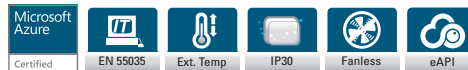


HDMI

COM/CAN/DIO port

Features

- Extreme cost-effective with fanless and cableless design
- Intel® Celeron® processor N3350, reliable F1 stepping version CPU
- COM/CAN/DIO, 2 USB, and 2 GbE LAN
- Wide operating temperature range from -40°C to +70°C
- 9 to 36 VDC wide range power input (typical: 12-24 VDC)
- OVP, UVP, OCP, RPP power protection design
- eAPI for intelligent remote monitoring software integration



Specifications

| | | |
|---------------------|--|---|
| Standard Color | Sliver | |
| Construction | Extruded aluminum and heavy-duty steel, IP30 | |
| CPU | Intel® Celeron® N3350 2C @1.1 GHz, TDP: 6W | |
| Chipset | SoC integrated | |
| System Memory | 1 x DDR3L-1866 SO-DIMM, up to 8GB | |
| BIOS | AMI | |
| System I/O Outlet | DB9 Port | Selection for 2 of DB9: COM (RS-232/422/485) DIO (8-bit Programmable DIO) CAN (CAN 2.0 A/B, 1 Mbps bitrate with SocketCAN & J1939 supported) |
| | Display | 1 x HDMI |
| | USB | 2 x USB 2.0 |
| | Ethernet | 2 x RJ-45 isolated GbE Ethernet (Intel® I210-IT) Isolation voltage: 1.5 kV |
| | Others | 2 x Antenna opening |
| Extension Interface | 1 x Full-size Rev. 1.2 PCI Express Mini Card slot: | USB/PCIe with SIM socket |
| | 1 x Half-size Rev. 1.2 PCI Express Mini Card slot: | mSATA/USB/PCIe |
| Storage | SATA Drive | 1 x mSATA (occupied 1 x PCI Express Mini Card slot) |
| | eMMC | Optional |
| Watchdog Timer | 255 levels, 1 to 255 sec. | |
| Power | Power Supply | 1 x Terminal block, 12 to 24 VDC (Typical) |
| System Indicator | 1 x LED indicator for SATA drive activity | |
| | 1 x LED indicator for power | |

Specifications

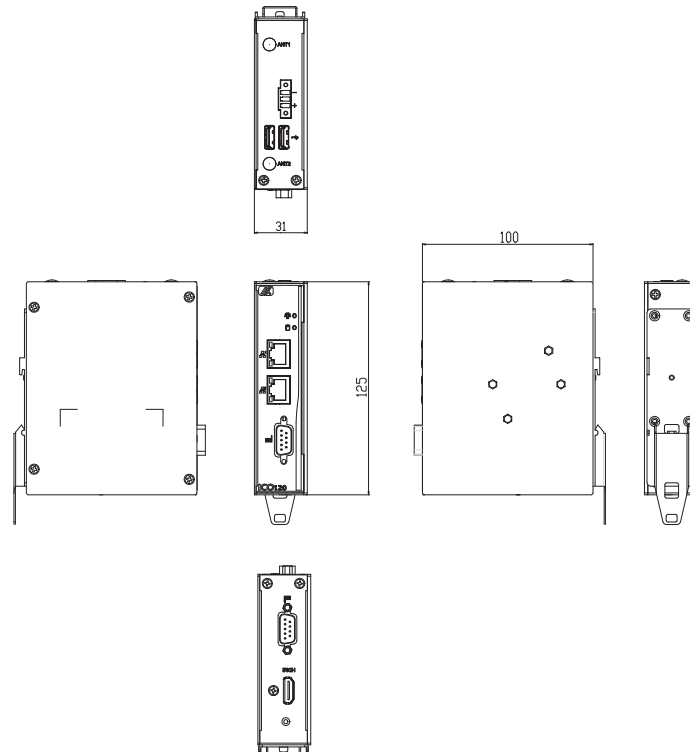
| | | |
|-----------------------|--|--|
| Operating Temperature | -40°C to +70°C (-40°F to +158°F) with W.T. peripheral* | |
| Humidity | 0% to 95% | |
| Vibration Endurance | 2 Gms with storage (5 to 500Hz, X/Y/Z direction; random, operating) | |
| Weight (net/gross) | 0.3 kg (0.67 lb)/0.45 kg (0.99 lb) | |
| Certifications | CE (Class A), FCC (Class A), UL EN 55032 (Class A), EN 55035 FCC part 15 B (Class A) | |
| EMC | CE/FCC | EN 55035 (Class A), FCC part 15 B (Class A) |
| Dimensions | 31 mm (1.22") (W) x 100 mm (3.93") (D) x 125 mm (4.92") (H) | |
| EOS Support | Windows® 10 IoT, Linux | |
| Software Support | eAPI | |

* Wide Temperature. All W.T. supported products have to be sorted by Axiomtek.

Ordering Information

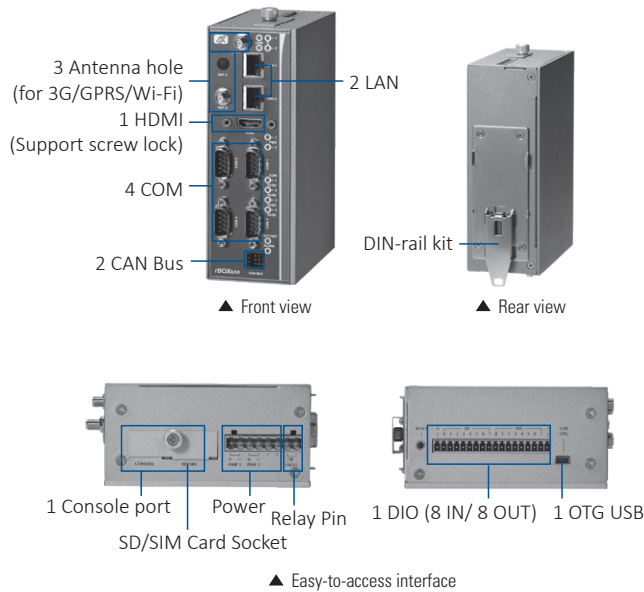
| | |
|-------------------------------------|---|
| ICO120-E3350-A (P/N: E22C120114) | DIN-rail Fanless Embedded System with Intel® Celeron® Processor N3350, 2 COM, 2 GbE LAN, 2 USB, WT |
| ICO120-E3350-B (P/N: E22C120115) | DIN-rail Fanless Embedded System with Intel® Celeron® Processor N3350, 1 COM, DIO, 2 GbE LAN, 2 USB, WT |
| ICO120-E3350-C (P/N: E22C120116) | DIN-rail Fanless Embedded System with Intel® Celeron® Processor N3350, 1 COM, 1 CAN, 2 GbE LAN, 2 USB, WT |

Dimensions



rBOX630

Robust RISC-based DIN-rail Fanless Embedded System with i.MX 6 Processor 4 COM, 2 CAN Bus and DIO



Features

- Fanless design
- RISC-based module (i.MX 6) processor
- 1GB DDR3 SDRAM onboard
- 8GB eMMC on board
- Completed industrial AP development software
- 12- 48 VDC wide range power input with terminal block
- Ready-to-run embedded Linux operating system
- Wide operating temperature range from -40°C to +70°C



Introduction

The rBOX630 cost-effective DIN-rail fanless embedded system utilizes the low power RISC-based module (i.MX 6) processor and is designed to withstand temperatures ranging from -40°C to +70°C for using in harsh environment and industrial automation applications.

The rBOX630 features 4 RS-232/422/485 serial ports, dual LANs, 8 digital input channels, 8 digital output channels, 2 CAN bus and 1 eMMC onboard 8 GB & 1 x SDHC socket for storage expansion (easy to access) in a compact, IP30 protected, industrial-strength robust case. Two power paths input minimize the risk of data loss in the event of a single power failure. Its vertical DIN-rail form factor makes it easy to install the system in a small cabinet. Because of ARM's low power consumption architecture, rBOX630 generate little heat while being operated. The ready-to-run rBOX630 is specially designed for industrial machine, automatic parking lot, traffic cabinet and more.

Specifications

| | | |
|-------------------|--|---|
| Standard Color | Sliver-Black | |
| Construction | Extruded aluminum and heavy-duty steel, IP30 | |
| CPU | i.MX 6, Cortex-A9 RISC CPU, 800MHz | |
| System Board | Q7M120 | |
| System Memory | 1 x DDR3-1600 onboard, 1GB | |
| System I/O Outlet | Serial Port | 4 x RS-232/422/485 (COM 1-4) COM 1-4 with TX/RX/RTS/CTS signals RS-232/422/485 interface select by software |
| | LAN | 1 x 10/100/1000 Mbps Ethernet 1 x 10/100 Mbps Ethernet Magnetic isolation protection 1.5 KV |
| | HDMI | 1 x HDMI (Support screw lock) |
| System I/O Outlet | USB | 1 x USB 2.0 OTG |
| | CAN | 2 CAN 2.0 B (Phoenix connector, non-isolation) Meets ISO 11898 standard Software control termination resistor 120 ohm can high speed up to 1Mbit/s for transmit/receive |

Specifications

| | | |
|-------------------|---------------|---|
| System I/O Outlet | DIO | <p>1 x DIO (8-in/ 8-out) with Isolation 2 KV</p> <p>DI: Wet/Dry</p> <p>DO: Wet</p> <p>DI:</p> <p>Input channels: 8, source type</p> <p>Input voltage: 0 to 30 VDC digital input levels for dry contacts:</p> <p>-Logic level 0: close to GND</p> <p>-Logic level 1: open</p> <p>Digital input levels for wet contacts :</p> <p>-Logic level 0: +10V to +24V (DI to COM-)</p> <p>-Logic level 1: +3V max.</p> <p>DO :</p> <p>Output channels: 8, sink type</p> <p>Output current: Max. 200 mA per channel</p> <p>On-state voltage: 24 VDC nominal, open collector to 30 V</p> <p>Optical isolation protection 2 KV</p> |
| | Console Port | DB9 connector For user setting with debug |
| | RTC | <p>Battery onboard</p> <p>Provides power for the internal real time clock & calendar</p> <p>Ideal for vibration environment & reduces maintenance efforts</p> |
| | Alarm Contact | One relay output with current 0.5A@30 VDC |

Hardware Specifications

| | | |
|-----------------------|--|---|
| System I/O Outlet | Wireless | <p>1 x Mini card socket (supports USB interface) with 1 x SIM Socket by outside access and is easy plug/pull.</p> <p>1 x Mini card socket (supports USB & PCIE interface) with 1 x SIM Socket by inside</p> |
| | | |
| Watchdog Timer | WDT 1: one step is 1 sec, 255 levels | |
| LEDs | System | Power, Alarm, Ready/Active, COM (TX, RX), Wireless |
| | Alarm | DC PWR1 or PWR2 |
| Storage | <p>1 x eMMC 8 GB onboard (for boot disk)</p> <p>Supports 1 x SDHC Card (easy-to-access, for store only.)</p> | |
| Installation | DIN-rail, wall mount | |
| Power Supply | Power Input | 2 power paths with terminal block |
| | Power Input Range | 12-48 VDC |
| | Power Input Rating | 12-48 VDC, 0.74-0.23A |
| | Power Protection | <p>DC Version:</p> <p>OVP (Over voltage protection)</p> <p>UVP (Under voltage protection)</p> <p>Reverse protection</p> |
| Operating Temperature | -40°C to +70°C (-40°F to +158°F) | |
| Humidity | 10% - 95% | |
| Vibration Endurance | 5G @ 10-150Hz, amplitude 0.35ms | |
| Weight (net/gross) | 0.9 kg (2 lb)/1.3kg (2.87 lb) | |
| Dimensions | 55 mm (2.16") (W) x 110 mm (4.33") (D) x 155 mm (6.10") (H) | |
| OS Linux | <p>OS: Yocto 3.3 (Hardknott)</p> <p>Kernel: 5.10.72</p> | |
| Certificate | <p>FCC Part 18</p> <p>Heavy Industrial CE</p> | |

Ordering Information

Standard

| | |
|------------------------------------|--|
| rBOX630-DL8E-A (P/N:E26M630104) | Robust DIN-rail fanless embedded system with Q7-RISC module (i.MX 6), 8GB eMMC, 4 COM, 2 CAN, and DIO (-40°C to +70°C) |
|------------------------------------|--|

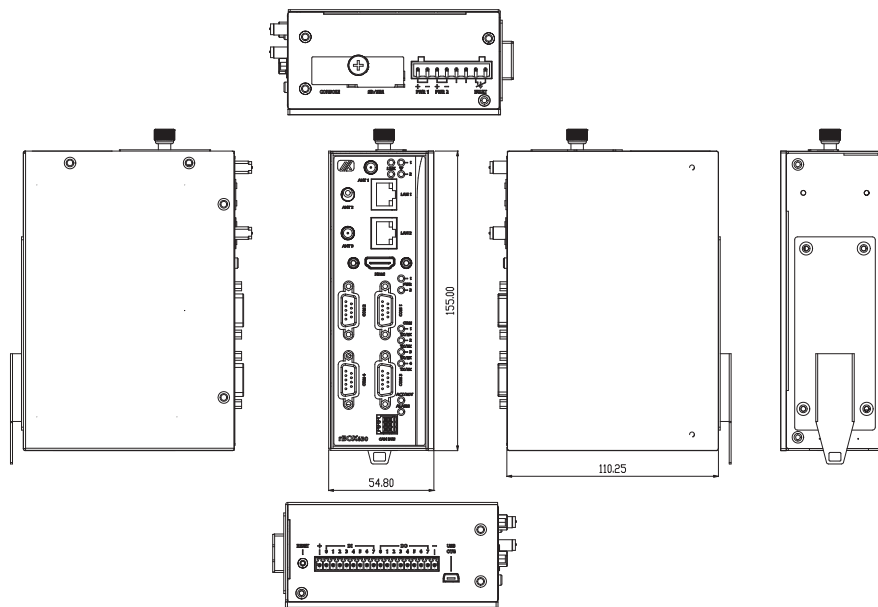
Optional

| | |
|-----------------------------------|----------------|
| 826M1000040E | Wall mount kit |
| Wireless (3G/GPS or Wi-Fi) module | |

Packing List

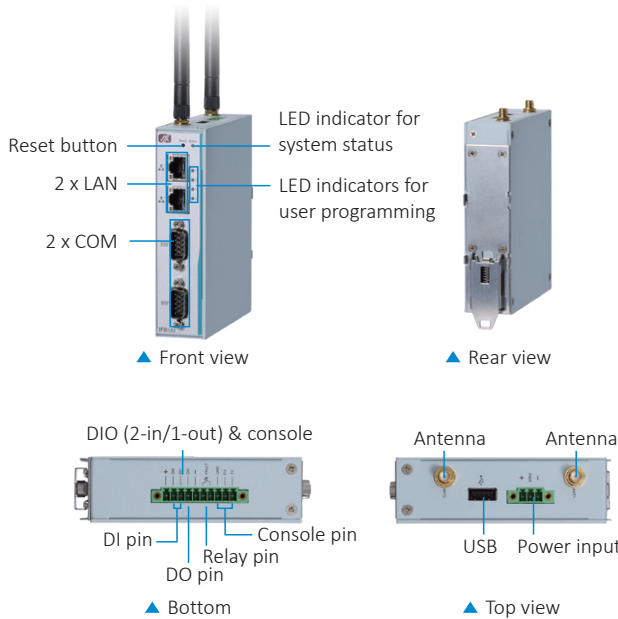
- 8 x Screws
- 1 x Din-rail kit
- 1 x Console cable
- 1 x 6-pin terminal block for CANbus port
- 1 x 8-pin terminal block for power port
- 1 x 18-pin terminal block for DIO port

Dimensions



IFB122

Robust RISC-based DIN-rail Fanless Embedded System with i.MX 6UL Processor, 2 COM, 2 LANs and DIO (2-in/1-out)



Features

- RISC-based (i.MX 6UltraLite) processor 528 MHz
- 256MB DDR3 SDRAM onboard
- 8GB eMMC flash onboard
- 1 PCI Express Mini Card slot (Wi-Fi or 3G/4G)
- 2 digital inputs and 1 digital output
- Power input range of 9V to 48V DC with terminal block
- Embedded Linux operating system (Yocto)
- Fanless and compact design
- Wide operating temperature range from -40°C to +70°C



Introduction

The IFB122 cost-effective DIN-rail fanless embedded system utilizes the low power RISC-based (i.MX6UL) processor and is designed to withstand temperatures ranging from -40°C to +70°C for using in extreme operating environment and industrial automation applications.

The IFB122 features two RS-232/422/485 serial ports, dual LANs, two digital input channels, one digital output channel, LED for user programming and one eMMC onboard 8GB. Its vertical DIN-rail form factor makes it easy to install the system in a small cabinet. The ready-to-run IFB122 is specially designed for remote control/monitoring management applications like unmanned control room, industrial machine, automatic parking lot, traffic cabinet and more.

Specifications

| | | |
|-------------------|---|--|
| Construction | Extruded aluminum and heavy-duty steel, IP40 | |
| CPU | NXP i.MX 6UL processor, ARM® Cortex®-A7 @ 528 MHz | |
| System Memory | 1 x DDR3-1600 onboard, 256 MB | |
| System I/O Outlet | Serial Port | 2 x RS-232/422/485 |
| | LAN | 2 x 10/100 Mbps Ethernet Magnetic isolation protection 1.5KV |
| | Relay | 1 x Relay |
| | USB | 1 x USB 2.0 |
| | DIO | 1 x DIO (2-in/1-out) DI: Wet DO: Wet DI: Digital input levels for wet contacts: -Logic level 0: Close to GND -Logic level 1: +0.7 to +24 V max. DO: Output channels: 1, sink type Output current: max. 200 mA per channel On-state voltage: 24 VDC nominal, open |

Specifications

| | | |
|-----------------------|---|---|
| System I/O Outlet | Console Port | Yes For user setting with debug |
| | RTC | Battery onboard Provides power for the internal real time clock & calendar |
| | EEPROM | 1 x EEPROM (2 Kb) |
| | Wireless | 1 x PCI Express Mini Card slot (USB signal only) 1 x SIM card socket |
| Watchdog Timer | WDT 1: 0.5 to 128 sec. with a time resolution of 0.5 sec. | |
| LEDs | 1 x LED for power status 1 x LED for reset status 4 x LED (programming by client) | |
| Storage | 1 x eMMC 8GB flash onboard | |
| Power Supply | 9 to 48 VDC power input range | |
| Operating Temperature | -40°C to +70°C (-40°F to +158°F) | |
| Storage Temperature | -45°C to +85°C (-49°F to +185°F) | |
| Humidity | 10% to 95% | |
| Vibration Endurance | 5 Gms @ (10 to 150Hz random; operation) | |
| Dimensions | 31 mm (1.22") (W) x 100 mm (3.94") (D) x 125 mm (4.92") (H) | |
| Weight (net/gross) | 0.3 kg (0.66 lb)/0.44 kg (0.97 lb) | |
| Installation | DIN-rail, wall mount | |
| OS Linux | OS : Yocto 3.3 (Hardknott) Kernel: 5.10.72 | |
| Certifications | FCC part 15, Heavy Industrial CE | |

Ordering Information

Standard

| | |
|------------------------------------|--|
| IFB122-UL8E-A (P/N: E26V122109) | Robust DIN-rail fanless embedded system with i.MX 6UL processor, 8GB eMMC, 2 COM, 2 LAN, and DIO (2-in/1-out) (-40°C to +70°C) |
|------------------------------------|--|

Optional

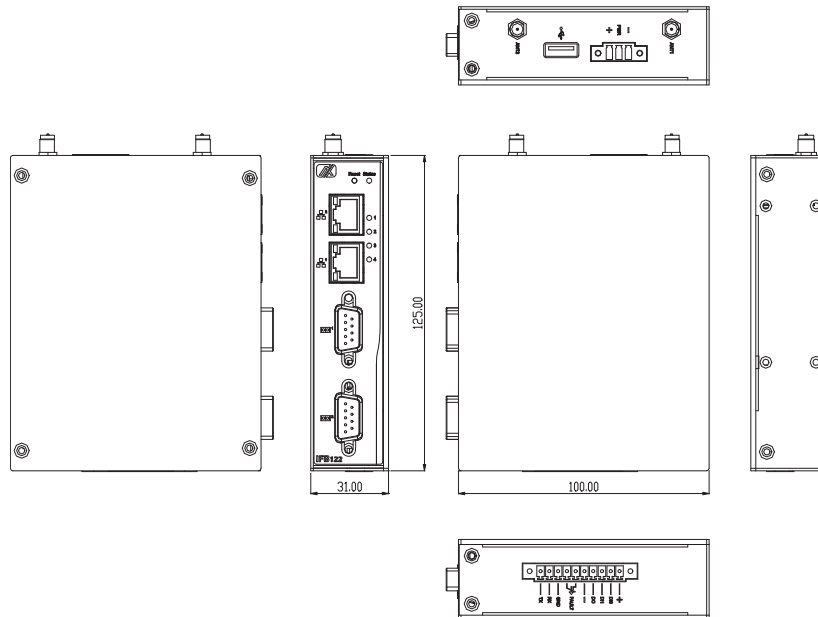
| |
|-----------------------------------|
| Wall mount kit |
| Wireless (3G/GPS or Wi-Fi) module |

Packing List

- 4 x Screws
- 1 x Din-rail kit
- 1 x Console cable
- 1 x 3-pin terminal block for power port
- 1 x 10-pin terminal block for DIO port

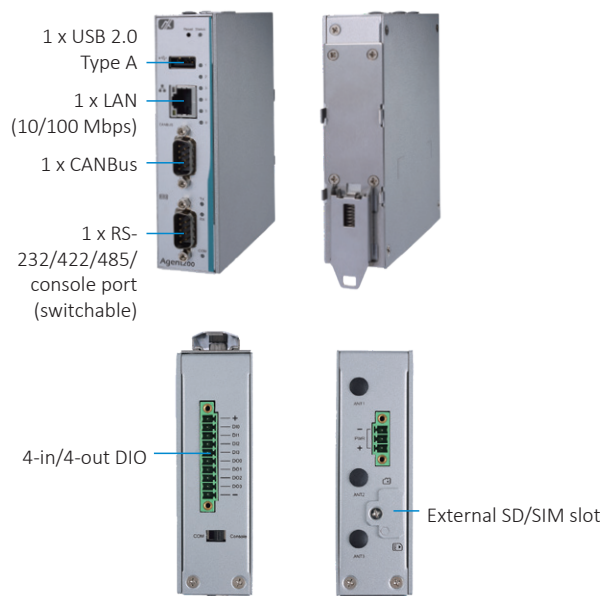
* Specifications and certifications may vary based on different requirements.

Dimensions



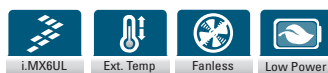
Agent200-FL-DC

Robust RISC-based DIN-rail Fanless Embedded System with i.MX 6UL Processor, 1 COM, 1 LAN, DIO (4-in/4-out) and CANBus



Features

- RISC-based (i.MX 6UltraLite) processor 528 MHz
- 256MB DDR3L SDRAM onboard
- 4GB eMMC flash onboard
- 2 PCI Express Mini Card slots (Wi-Fi or 3G/4G)
- 4 digital inputs and 4 digital outputs
- Power input range of 9V to 48V DC with terminal block
- Embedded Linux (Yocto) operating system
- Fanless and compact design
- Wide operating temperature range from -40°C to +70°C



Specifications

| | | |
|-------------------|--|--|
| Construction | Extruded aluminum and heavy-duty steel, IP20 | |
| CPU | NXP i.MX 6UL processor, ARM® Cortex®-A7 @ 528 MHz | |
| System Memory | 1 x DDR3L-1600 onboard, 256 MB | |
| System I/O Outlet | Serial Port | 1 x RS-232/422/485 |
| | LAN | 1 x 10/100 Mbps Ethernet Magnetic isolation protection 1.5KV |
| | USB | 1 x USB 2.0 |
| | DIO | 1 x DIO (4-in/4-out) DI: Wet/Dry DO: Wet DI: Digital input levels for wet contacts: - Logic level 0: +10V to +24V (DI To COM-) - Logic level 1: +3V max. Digital input levels for dry contacts: - Logic level 0: Close to GND - Logic level 1: Open DO: Output channels: 4, sink type Output current: max. 200 mA per channel On-state voltage: 24 VDC nominal, open collector to 30V |
| | CANBus | 1 x CANBus |
| | Console Port | Yes, for user setting with debug |
| | EEPROM | 1 x EEPROM (2 Kb) |
| Wireless | 2 x PCI Express Mini Card slot (USB signal only) | |
| | 1 x SIM card socket | |
| Watchdog Timer | WDT 1: 0.5 to 128 sec. with a time resolution of 0.5 sec. | |
| LED | 1 x LED for system status 1 x LED for USB power status 1 x LED for COM/Console mode 2 x LED for TX/RX status 5 x LED (programming by client) | |
| Storage | 1 x eMMC 4GB flash onboard 1 x Micro SD card slot | |

Specifications

| | |
|-----------------------|---|
| Power Supply | 9 to 48 VDC power input range |
| Operating Temperature | -40°C to +70°C (-40°F to +158°F) |
| Storage Temperature | -45°C to +85°C (-49°F to +185°F) |
| Humidity | 10% to 95% |
| Vibration Endurance | 2 Gms @ (10 to 150Hz random; operation) |
| Dimensions | 31 mm (1.22") (W) x 100 mm (3.94") (D) x 125 mm (4.92") (H) |
| Weight (net/gross) | 0.3 kg (0.66 lb)/0.44 kg (0.97 lb) |
| Installation | DIN-rail, wall mount |
| OS Support | Yocto (Linux Kernel: 5.10) |
| Certifications | CE, FCC |

Ordering Information

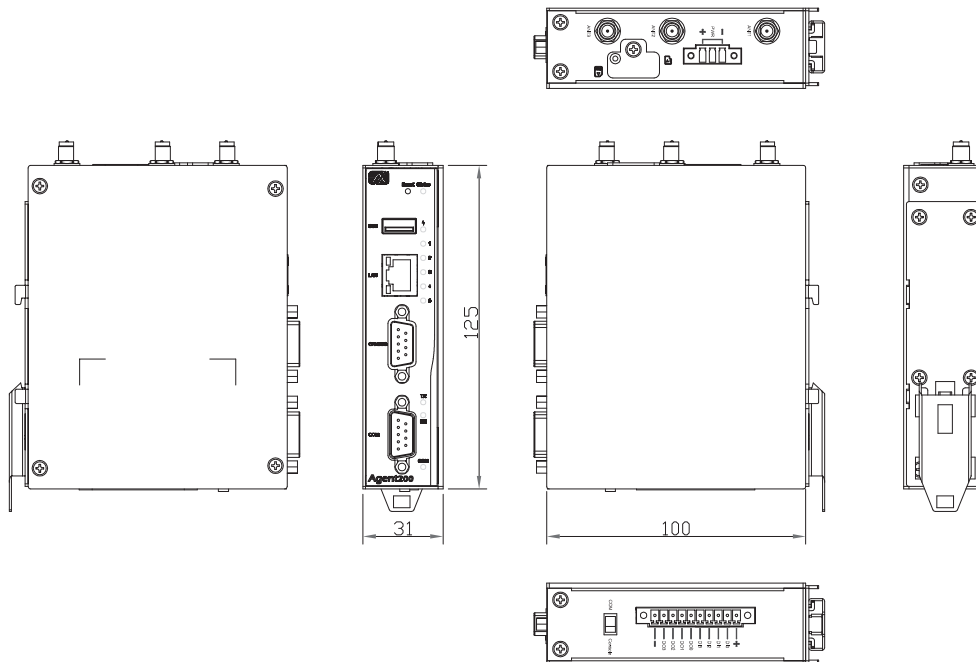
Standard

| | |
|-------------------------------------|---|
| Agent200-FL-DC (P/N: E278200100) | Robust RISC-based DIN-rail Fanless Embedded System with i.MX 6UL Processor, 1 COM, 1 LAN, DIO (4-in/4-out) and CANbus |
|-------------------------------------|---|

Optional

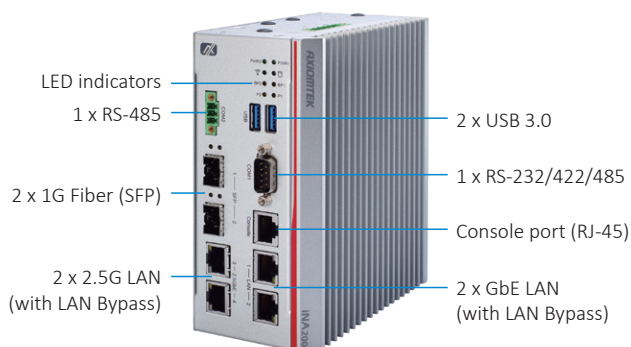
| |
|--------------------------------|
| Wall mount kit |
| Wireless (3G/GPS/Wi-Fi) module |

Dimensions



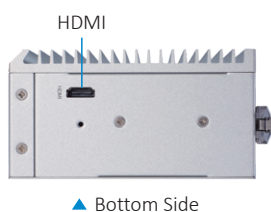
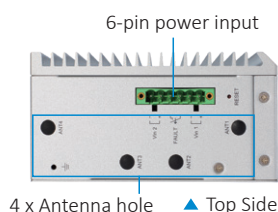
iNA200 NEW

DIN-Rail Cybersecurity Gateway with Intel Atom® x6212RE/x6414RE Processor and up to 6 LAN



Features

- Intel Atom® x6212RE/x6414RE processor (Elkhart Lake)
- DDR4-3200 SO-DIMM, up to 32GB
- 2 GbE LAN, 2 2.5GbE LAN, and 2 SFP
- Wide operating temperature from -40°C to +70°C
- Wide power input of 9 to 36V DC with dual power input
- Supports 5G with M.2 Key B 3042/3052
- Supports TPM 2.0
- Ideal for OT field site cybersecurity and secured edge



Specifications

System

| | |
|---------------------|--|
| CPU | Intel Atom® x6212RE/x6414RE processor (Elkhart Lake) |
| Chipset | SoC integrated |
| Memory | DDR4-3200 SO-DIMM, up to 32GB |
| BIOS | AMI SPI Flash BIOS |
| Storage | 1 x 2.5" SATA 3.0 SSD 1 x eMMC onboard (Optional) |
| Network Interface | 2 x 10/100/1000 Mbps (Marvell 88E1512) with LAN Bypass 2 x 2.5G (Intel® I225-IT) with LAN Bypass and TSN function 2 x 1G SFP (Intel® I210-IS) |
| I/O | 1 x HDMI 2 x USB 3.0 1 x COM port (RS-232/422/485) with DB9 type 1 x COM port (RS-485) with 3-pin terminal block 1 x Tact switch 4 x Antenna hole 1 x Power input connector 4 x Copper 2 x Fiber 1 x Console port (RJ-45) |
| Expansion Interface | 1 x M.2 Key B 3042/3052 slot (PCIe + USB interface) 1 x Full-size PCIe Mini Card slot (USB + SATA interface) |
| TPM | TPM 2.0 |
| Watchdog Timer | 255 stepping for system reset |
| Power Supply | 9 to 36V DC (typical 12/24V) with terminal block for dual power input OVP, UVP, OCP, RPP power protection design |
| OS Compatibility | Linux , Windows® 10 |

Specifications

Mechanical/ Environmental

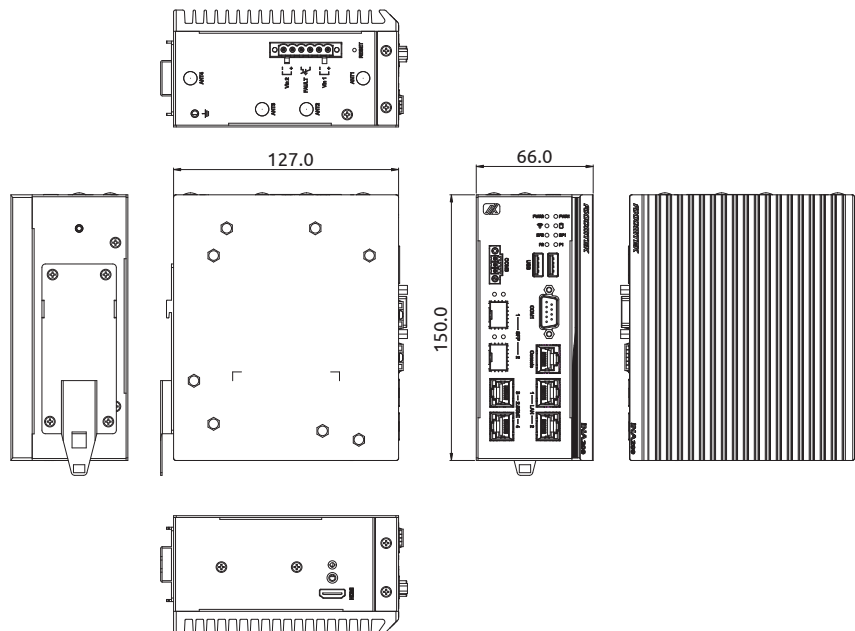
| | |
|-----------------------|--|
| Form Factor | DIN-rail |
| LED | 8 x LED |
| Operating Temperature | -40°C to +70°C (-40°F to +158°F) |
| Humidity | 10% to 95% RH, non-condensing |
| Chassis Material | Aluminum and steel |
| Dimensions | 66 mm (2.6") (W) x 127 mm (5") (D) x 150 mm (5.9") (H) |
| Weight (net/gross) | 1.5 kg (3.3 lb)/1.8 kg (3.97 lb) |
| Certifications | CE (Class A), FCC (Class A) |

Ordering Information

Standard

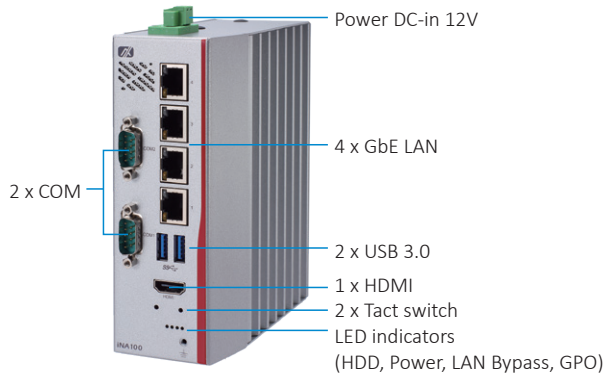
| | |
|-------------------------------------|---|
| iNA200-X6414-A (P/N: E27B200100) | DIN-rail cybersecurity gateway with Intel Atom® x6414RE processor and up to 6 LAN |
| iNA200-X6212-A (P/N: E27B200101) | DIN-rail cybersecurity gateway with Intel Atom® x6212RE processor and up to 6 LAN |

Dimensions



iNA100

DIN-Rail Cybersecurity Gateway with Intel Atom® x5-E3930/E3940 Processor and 4 LAN



Features

- DIN-rail design with fanless and noiseless design
- Intel Atom® x5-E3930/E3940 processor (Apollo Lake)
- 1 DDR3L-1866 SO-DIMM for up to 8GB of memory
- 4 GbE RJ-45 (Intel® I211)
- PCI Express Mini Card slot for wireless module
- 2 COM, 4 GbE LAN, 2 USB 3.0, and 1 HDMI
- Ideal for ICS cybersecurity and critical infrastructure protection



Specifications

System

| | |
|---------------------|--|
| CPU | Intel Atom® x5-E3930/E3940 processor (Apollo Lake) |
| Chipset | SoC integrated |
| Memory | 1 x DDR3L-1866 SO-DIMM, up to 8GB non-ECC memory |
| BIOS | AMI SPI Flash BIOS |
| Storage | 1 x Half-size mSATA (occupied 1 x PCI Express Mini Card slot) 1 x Internal 2.5" SATA drive (9.5 mm height) |
| Network Interface | 4 x GbE RJ-45 (Intel® I211) |
| I/O | 2 x DB9 serial port (COM1 supports RS-232, COM2 supports RS-232/422/485) 4 x RJ-45 2 x USB 3.0 1 x HDMI 2 x Tact switch (1 x reset button, 1 x GPI button) |
| Other Features | LAN Bypass (one pair) |
| Expansion Interface | 1 x Half-size PCIe Mini Card slot with SATA/USB signal 1 x Full-size PCIe Mini Card slot with USB signal |
| TPM | TPM 2.0 |
| Watchdog Timer | 255 stepping for system reset |
| Power Supply | 1 x 2-pin terminal block 12V |
| OS Compatibility | Win 10, Linux (Yocto project) |

Mechanical/ Environmental

| | |
|-----------------------|--|
| Form Factor | DIN-rail, wall mount (optional) |
| LED | Power, HDD, GPIO programmable, LAN Bypass, Link/Act with transfer rate |
| Operating Temperature | -20°C to +60°C (-4°F to +140°F) |
| Humidity | 10%- 95% RH, non-condensing |
| Chassis Material | Aluminum and steel |
| Dimensions | 54 mm (2.13) (W) x 120 mm (4.72") (D) x 150 mm (5.9") (H) |
| Weight (net/gross) | 1.1 kg (2.43 lb)/2.0 kg (4.41 lb) |
| Certifications | CE (Class A), FCC (Class A) |

Ordering Information

Standard

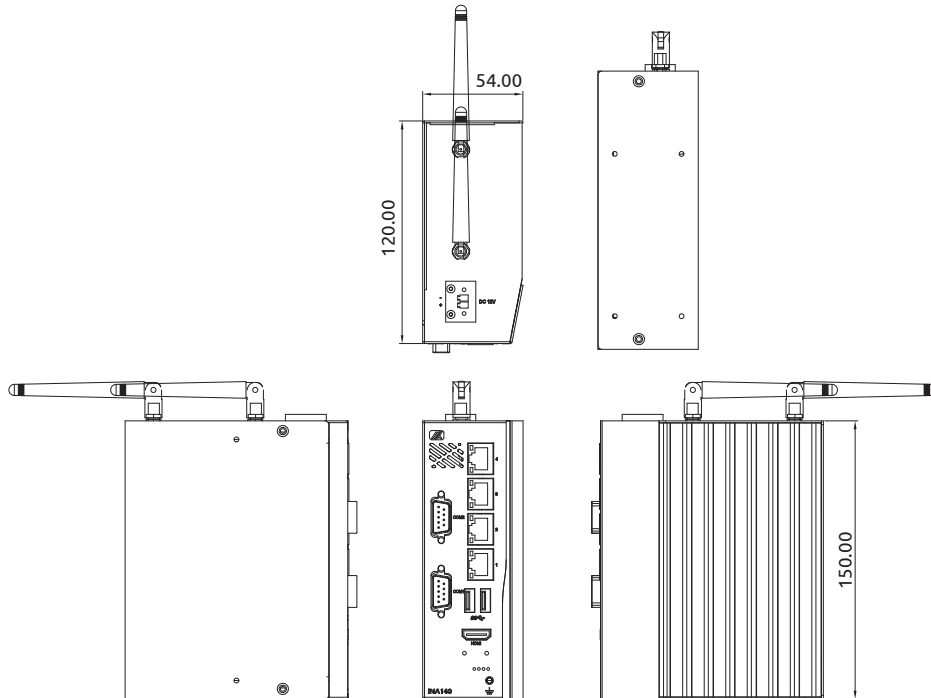
| | |
|------------------------------------|--|
| iNA100 (P/N: E27B100100) | DIN-rail cybersecurity gateway with Intel Atom® x5-E3930 processor and 4 GbE LAN |
| iNA100-3940-A (P/N: E27B100101) | DIN-rail cybersecurity gateway with Intel Atom® x5-E3940 processor and 4 GbE LAN |

Optional

2.5" SATA SSD or HDD
 DDR3L SO-DIMM
 mSATA
 Wall mount kits
 Wi-Fi Module
 3G/LTE Module
 12V, 60W adapter
 Power Cord

* Specifications and certifications may vary contingent on options.

Dimensions



3

Industrial Systems

Axiomtek has a full range of fanless, intelligent platform that are suitable for different environments and applications. These industrial PCs offer powerful computing performance, scalability, high storage capacity, reliability, and solid design. Axiomtek IPC products are in compliance with the relevant EU legislation (CE Marking). They offer popular interfaces and rich I/O options.


Selection Guide 138


Industrial Systems

IPC972 Industrial System with LGA1200 Socket Intel® Xeon® or 10th Gen Core™ i7/i5/i3 Processor, Intel® W480E, Front-access I/O, and PCIe Slots 141

IPC970 Industrial System with LGA1200 Socket 10th Gen Intel® Xeon® or Core™ i7/i5/i3 Processor, Intel® W480E, Front-access I/O, and PCIe Slots 144


 IPC964A 4-slot Industrial System with LGA1700 Socket 12th Gen Intel® Core™ i7/i5/i3 or Celeron® Processor, Intel® Q670E, Front-access I/O, PCIe and PCI Slots 147

 IPC962A 2-slot Industrial System with LGA1700 Socket 12th Gen Intel® Core™ i7/i5/i3 or Celeron® Processor, Intel® H610E/Q670E, Front-access I/O, PCIe and PCI Slots 149

 IPC960A Fanless Industrial System with LGA1700 Socket 12th Gen Intel® Core™ i7/i5/i3 or Celeron® Processor, Intel® H610E/Q670E, and Front-access I/O 151

GPU Workstation

iHPC300 4U Rackmount GPU Workstation with 3rd Generation Intel® Xeon® Scalable Processor, Supports Multiple Accelerator Cards 153

 iHPC100 Tower GPU Workstation with 12th Gen Intel® Core™ Processor and Multiple Accelerator Cards 156

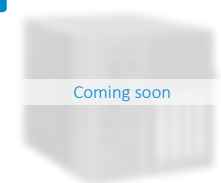
Embedded Automation Computers

Industrial Systems

Selection Guide



NEW



| Features\Models | IPC972 | IPC970 | IPC964A |
|------------------------|--|--|--|
| CPU Level | 10th Gen Intel® Xeon® and Core™ i7/i5/i3 (Comet Lake-S), up to 80W | 10th Gen Intel® Xeon® and Core™ i7/i5/i3 (Comet Lake-S), up to 80W | 12th gen Intel® Core™ (Comet Lake-S), up to 65W |
| System Memory | 4 x DDR4-2933 MT/s ECC or non ECC U-DIMM socket, up to 128GB | 4 x DDR4-2933 MT/s ECC or non ECC U-DIMM socket, up to 128GB | 2 x DDR5-4800/4000 MT/s un-buffered SO-DIMM, up to 64GB |
| Chipset | Intel® W480E | Intel® W480E | Intel® Q670E |
| Expansion I/O Module | AX93511: 4 x RS-232/422/485 AX93512: 4 x RS-232/422/485 & 8-in/out DIO AX93516: 4 x RS-232/422/485 isolated AX93519: 2 x RS-232/422/485 & 1 x 1GbE LAN & 2 x USB (optional) | AX93511: 4 x RS-232/422/485 AX93512: 4 x RS-232/422/485 & 8-in/out DIO AX93516: 4 x RS-232/422/485 isolated AX93519: 2 x RS-232/422/485 & 1 x 1GbE LAN & 2 x USB (optional) | AX93511: 4 x RS-232/422/485 AX93512: 4 x RS-232/422/485 & 8-in/out DIO AX93516: 4 x RS-232/422/485 AX93519: 2 x RS-232/422/485 & 1 x 1GbE LAN & 2 x USB module (optional) |
| Display | 1 x VGA 1 x HDMI | 1 x VGA 1 x HDMI | 1 x DVI-D 1 x DP++ 1 x HDMI |
| Audio | 1 x Line-out | 1 x Line-out | Mic in/Line out |
| Ethernet | 1 x 2.5GbE 1 x GbE | 1 x 2.5GbE 1 x GbE | 1 x 2.5GbE LAN (Intel® i226-LM) 1 x 1GbE LAN (Intel® i219-LM) |
| Serial | N/A | N/A | 1 x RS-232/422/485 |
| USB | 6 x USB 3.2 Gen.2 (10G) 2 x USB 3.2 Gen.1 1 x USB 2.0 (internal, 180D type A) | 6 x USB 3.2 Gen.2 (10G) 2 x USB 3.2 Gen.1 1 x USB 2.0 (internal, 180D type A) | 6 x USB 3.2 gen2x1 1 x USB 2.0 (internal, 180D type A) |
| Expansion Interface | 2 x PCIe x16 +1 x PCIe x4 + 1 x PCIe x8 1 x mPCIe card slot w/SIM slot 1 x M.2 Key E socket 1 x M.2 Key B socket w/SIM slot | 1 x PCIe x16 + 2 PCIe x8 1 x mPCIe card slot w/SIM slot 1 x M.2 Key E socket 1 x M.2 Key B socket w/SIM slot | 1 x mPCIe card slot w/SIM slot 1 x M.2 Key B +1 M.2 Key E w/SIM slot (optional) EIO141: 1 x PCIe x16 + 1 PCIe x8 + 2 PCIe x4 EIO142: 1 x PCIe x16 + 1 PCIe x4 + 2 PCI |
| Storage | 2 x 2.5" swappable HDD 1 x 2.5" HDD (internal) 1 x M.2 Key M slot | 2 x 2.5" swappable HDD 1 x 2.5" HDD (internal) 1 x M.2 Key M slot | 2 x 2.5" swappable HDD 1 x M.2 Key M slot |
| Watchdog Timer | 255 levels, 1 to 255 sec. | 255 levels, 1 to 255 sec. | 255 levels, 1 to 255 sec. |
| Power Input | Type: ATX/AT Input: 24 VDC (uMin=19V/uMax=30V) | Type: ATX/AT Input: 24 VDC (uMin=19V/uMax=30V) | 18-30 VDC |
| Operating Temperature | -10°C to +60°C with W.T. HDD/SSD | -10°C to +60°C with W.T. HDD/SSD | -10°C to +60°C (+14°F to +140°F) |
| Wall Mount | Yes | Yes | Yes |
| Dimensions (W x D x H) | 255 x 192 x 360 mm (10.04" x 7.60" x 14.18") | 199 x 192 x 360 mm (7.83" x 7.60" x 14.18") | 205 x 192 x 260 mm (8.08" x 7.60" x 10.24") |
| Weight (net/gross) | 8kg/11.2kg | 9.8 kg/7.3 kg | 5.6 kgs / 7.9 kgs |
| Certifications | CE (EN61000-6-4/EN61000-6-2)/FCC | CE (EN61000-6-4/EN61000-6-2)/FCC | CE (EN61000-6-4/EN61000-6-2)/FCC |
| EOS Support | Windows 10/11, Linux | Windows 10/11, Linux | Windows 10/11, Linux |

Industrial Systems

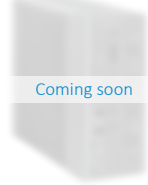
Selection Guide

NEW



Coming soon

NEW



Coming soon

| Features\Models | IPC962A | IPC960A |
|------------------------|---|--|
| CPU Level | 12th gen Intel® Core™ (Comet Lake-S), up to 65W | 12th gen Intel® Core™ (Comet Lake-S), up to 65W |
| System Memory | 2 x DDR5-4800/4000 MT/s un-buffered SO-DIMM, up to 64GB | 2 x DDR5-4800/4000 MT/s un-buffered SO-DIMM, up to 64GB |
| Chipset | Intel® H610E/Intel® Q670E | Intel® H610E/Intel® Q670E |
| Expansion I/O Module | AX93511: 4 x RS-232/422/485 AX93512: 4 x RS-232/422/485 & 8-in/out DIO AX93516: 4 x RS-232/422/485 AX93519: 2 x RS-232/422/485 & 1 x 1GbE LAN & 2 x USB module (optional) | AX93511: 4 x RS-232/422/485 AX93512: 4 x RS-232/422/485 & 8-in/out DIO AX93516: 4 x RS-232/422/485 AX93519: 2 x RS-232/422/485 & 1 x 1GbE LAN & 2 x USB module (optional) |
| Display | 1 x DVI-D 1 x DP++ 1 x HDMI | 1 x DVI-D 1 x DP++ 1 x HDMI |
| Audio | Mic in/Line out | Mic in/Line out |
| Ethernet | 1 x 2.5GbE LAN (Intel i226-LM) 1 x 1GbE LAN (Intel i219-LM) | 1 x 2.5GbE LAN (Intel i226-LM) 1 x 1GbE LAN (Intel i219-LM) |
| Serial | 1 x RS-232/422/485 | 1 x RS-232/422/485 |
| USB | 4 x USB 3.2 gen2x1 + 2 x USB 2.0 (H610E) 6 x USB 3.2 gen2x1 (Q670E) 1 x USB 2.0 (internal, 180D type A) | 4 x USB 3.2 gen2x1 + 2 x USB 2.0 (H610E) 6 x USB 3.2 gen2x1 (Q670E) |
| Expansion Interface | 1 x mPCIe card slot w/SIM slot 1 x M.2 Key E (optional) 1 x M.2 Key B +1 M.2 Key E w/SIM slot (optional) EIO121: 1 x PCIe x16 + 1 PCIe x8 EIO122: 1 x PCIe x16 + 1 PCI or 2 PCI | 1 x mPCIe card slot w/SIM slot 1 x M.2 Key E socket (optional) 1 x M.2 Key B socket w/SIM slot (optional) |
| Storage | 2 x 2.5" swappable HDD 1 x M.2 Key M slot (Q670E) | 2 x 2.5" swappable HDD 1 x M.2 Key M slot (Q670E) |
| Watchdog Timer | 255 levels, 1 to 255 sec. | 255 levels, 1 to 255 sec. |
| Power Input | 18-30 VDC | 18-30 VDC |
| Operating Temperature | -10°C to +60°C (+14°F to +140°F) | -10°C to +60°C (+14°F to +140°F) |
| Wall Mount | Yes | Yes |
| Dimensions (W x D x H) | 170 x 192 x 260 mm (6.70" x 7.60" x 10.24") | 83.5 x 192 x 260 mm (3.29" x 7.60" x 10.24") |
| Weight (net/gross) | TBC | TBC |
| Certifications | CE (EN61000-6-4/EN61000-6-2)/FCC | CE (EN61000-6-4/EN61000-6-2)/FCC |
| EOS Support | Windows 10/11, Linux | Windows 10/11, Linux |

GPU Workstation

Selection Guide



NEW



| Features\Models | iHPC300 | iHPC100 |
|------------------------|--|---|
| CPU Level | LGA4189 socket 3rd gen Intel® Xeon® Scalable, up to 270W | LGA1700 socket 12th gen Intel® Core™ i9/i7/i5/i3, Pentium® or Celeron®, up to 125W |
| System Memory | 6 x DDR4-3200 R-DIMM ECC memory, up to 384GB | 4 x 288-pin DDR4-3200 R-DIMM unbuffered non-ECC memory, up to 128GB |
| Chipset | Intel® C621A | Intel® Q670E |
| Vision I/O | AMI BIOS | AMI BIOS |
| Expansion I/O Module | PCIe x8 PCIe x16 (Gen4) M.2 key M 2280 (signal: x4) PCIe x16 (Gen4) PCIe x8 slot (signal: x0 or x8) PCIe x16 (signal: x16 or x8) PCIe x8 | PCIe x16 (Gen4) PCIe x4 (Gen4) PCIe x4 (Gen4) PCIe x4 (Gen4) PCI PCIe x4 (Gen4) |
| Display | VGA | 1 x VGA 1 x DVI-D 1 x HDMI 1 x eDP (Header) |
| Audio | HD Codec audio as MIC-in/Line-in/Line-out/Speaker-out with audio kit AX93242 (optional) | HD Codec audio as MIC-in/Line-in/Line-out |
| PS/2 | 1 x PS/2 keyboard and mouse | 1 x PS/2 keyboard and mouse |
| Ethernet | 2 x 10/100/1000Mbps, (Intel® i210-AT) | 1 x 10/100/1000Mbps, (Intel® i210-AT) 1 x 10/100/1000Mbps, (Intel® i219-LM) |
| Serial | 1 x RS-232/422/485 | 1 x RS-232/422/485 |
| USB | 4 x USB 3.1 Gen1 (rear I/O) 2 x USB 3.1 Gen1 (internal box header) 6 x USB 2.0 (internal box header) 1 x USB 2.0 (180D TypeA) | 6 x USB 3.2 Gen 1x1 (rear I/O) 2 x USB 3.2 Gen 1x1 (internal, box header) 4 x USB 2.0 (internal, pin header) 1 x USB 2.0 (internal, 180D type A) |
| Storage | 6 x SATA3 with RAID 0/1/5/10 1 x NVMe M.2 M Key: 2280 (PCIe x4) | 6 x SATA3 with RAID 0/1/5/10 1 x NVMe M.2 M Key: 2280 (PCIe x4) |
| Watchdog Timer | 255 levels, 1 to 255 sec. | 255 levels, 1 to 255 sec. |
| Power Input | 1200W AC Input voltage: 100 to 240V 2000W AC Input voltage: 200 to 240V | 750W AC Input voltage: 100 to 240V |
| Operating Temperature | 0°C to +40°C (+32°F to +104°F) | 0°C to +40°C (+32°F to +104°F) |
| Wall Mount | N/A | N/A |
| Dimensions (W x D x H) | 430 x 174.8 x 515 mm (16.9" x 6.9" x 20.3") | TBC |
| Weight (net/gross) | 17.15 kg (37.8 lb)/ 21.78 kg (48 lb) | TBC |
| Certifications | CE/FCC | TBC |
| EOS Support | Windows Server 2019, Linux: Ubuntu 20.04 | Windows 11, Linux: Ubuntu 20.04 |

IPC972

Industrial System with LGA1200 Socket Intel® Xeon® or 10th Gen Core™ i7/i5/i3 Processor, Intel® W480E, Front-access I/O, and PCIe Slots



- | | |
|--|---|
| 1. 1 x SSD/HDD access LED & 3 x user's LED | 10. Flexible system I/O window |
| 2. Power on/off button w/LED | (1) AX93511 |
| 3. Line-out | (2) AX93512 |
| 4. Remote power switch & reset switch | (3) AX93516 |
| 5. VGA & HDMI & AT/ATX selectable switch | (4) AX93519 |
| 6. 6 x USB 3.2 Gen.2, 2 x USB 3.2 Gen.1 | (5) Blank I/O cover |
| 7. 2 x LAN | 11. 2 x 2.5" SSD/HDD drive bay |
| 8. Ground terminal | 12. 6-pin terminal block for accelerators |
| 9. 4-pin terminal block | 13. Expansion slots |

Features

- LGA1200 Intel® Xeon® or 10th gen Core™ i7/i5/i3 processor, up to 80W
- Intel® W480E chipset
- Offers up to 800W power for accelerator cards
- Supports M.2 Key B slot for 5G wireless connection
- Supports M.2 Key E slot for Wi-Fi connection
- Supports RAID 0, 1, 5
- Supports power-on delay function
- Supports TPM 2.0



Specifications

| | | |
|----------------------------|---|--|
| Standard Color | Sliver black | |
| Construction | Aluminum extrusion heavy-duty cold-rolled steel | |
| Processor | CPU Level | Intel® Xeon® or 10th Gen Core™ i7/i5/i3 processor (Cometlake-S), up to 80W* |
| System | Chipset | Intel® W480E |
| System Memory | 4 x DDR4-2933 MT/s ECC or non ECC U-DIMM socket, up to 128GB | |
| System I/O | Ethernet | 1 x 2.5GbE LAN (Intel i225-LM) 1 x 1GbE LAN (Intel i219-LM) with Intel AMT |
| | USB | 6 x USB 3.2 Gen.2 (10G) 2 x USB 3.2 Gen.1 1 x USB 2.0 (internal, 180D type A for license key) |
| | Display | 1 x VGA 1920 x 1200 resolution 1 x HDMI 4096 x 2304 @30Hz |
| | Audio | 1 x Line-out |
| | Others | 1 x Power on/off button with LED (ATX) 1 x Remote power switch 1 x AT/ATX selectable switch (default ATX mode) 1 x 4-pin terminal block |
| Flexible System I/O Window | AX93511 | 4 x RS-232/422/485 module (default RS-232) |
| | AX93512 | 2 x RS-232/422/485 with isolated 1.5kVDC & 8-in/8-out with isolated 1.5kVDC DIO module |
| | AX93516 | 4 x RS-232/422/485 with isolated 2kVDC module |
| | AX93519 | 1 x 1GbE LAN (Intel® I211-AT) + 2 x RS-232/422/485 + 2 x USB 3.0 (USB 2.0 signal) module |
| | Blank I/O cover (default) | |
| TPM | TPM 2.0 | |
| Expansion Interface | Slot 1: PCIe x4 Gen3 | |
| | Slot 2: PCIe x16 Gen3 (x8 signal) | |
| | Slot 3: PCIe x8 Gen3 (x4 signal) | |
| | Slot 4: PCIe x16 Gen3 (x8 signal) | |
| | Slot 5-6: Blank | |
| | 1 x Full-size PCI Express Mini Card slot with SIM slot (USB & PCIe interface) | |
| | 1 x M.2 Key E 2234 socket | |
| | 1 x M.2 Key B 3042/3050 socket with SIM slot | |

Specifications

| | |
|-----------------------|--|
| Storage | 2 x SSD/HDD drive bay (7/9.5mm height, external) 1 x SSD/HDD drive bay (optional, 7/9.5/15mm height, internal) (supporting RAID 0,1) 1 x M.2 Key M 2280 socket (PCIe Gen3 x4) for NVMe SSD |
| System Indicators | 1 x HDD/SSD access LED 3 x User's LED |
| Power Input | Type: ATX/AT Input: 24 VDC (uMin=19V/uMax=30V) |
| Operating Temperature | -10°C to +60°C (+14°F up to +140°F) with W.T. HDD/SSD* |
| Storage Temperature | -20°C to +80°C (-4°F to +176°F) |
| Humidity | 10% to 90%, non-condensing |
| Dimensions | 255 mm (10") (W) x 192 mm (7.55") (H) x 360 mm (14.17") (D) |
| Weight (net/gross) | 8kg/11.2kg |
| Certifications | CE(EN61000-6-4/EN61000-6-2)/FCC |

*Please refer to the user's manual for the system CPU support list and the system operating temperature list.

Ordering Information

System

| | |
|--------------------------------------|---|
| IPC972-10W-F5E1 (P/N: E26G972100) | Industrial system with Intel® W480 PCH, 4 PCIe slots, and blank flexible I/O cover, w/o Axiomtek logo |
|--------------------------------------|---|

Flexible System I/O Module

| | |
|--------------------------------|--|
| AX93511 (P/N: 8816G974020E) | 4 x RS-232/422/485 module (default RS-232) |
| AX93512 (P/N: 8816G974030E) | 2 x RS-232/422/485 with isolated 1.5kVDC & 8-in/8-out with isolated 1.5kVDC DIO module |
| AX93516 (P/N: 8816G974040E) | 4 x RS-232/422/485 with isolated 2kVDC module |
| AX93519 (P/N: 8816G974050E) | 1 x 1GbE LAN (Intel® I211-AT) + 2 x RS-232/422/485 + 2 x USB 3.0 (USB 2.0 signal) module |

Optional Accessory

| | |
|--------------------------------------|------------------------------|
| 2.5" SATA HDD/SSD | |
| DDR4-2933 MT/s ECC or non ECC U-DIMM | |
| 8816G9704A0E | Wall mount bracket kit |
| 8816G9703A0E | Internal SSD/HDD bracket kit |
| 886G9701CA0E | Memory holder bracket |

Power Protection

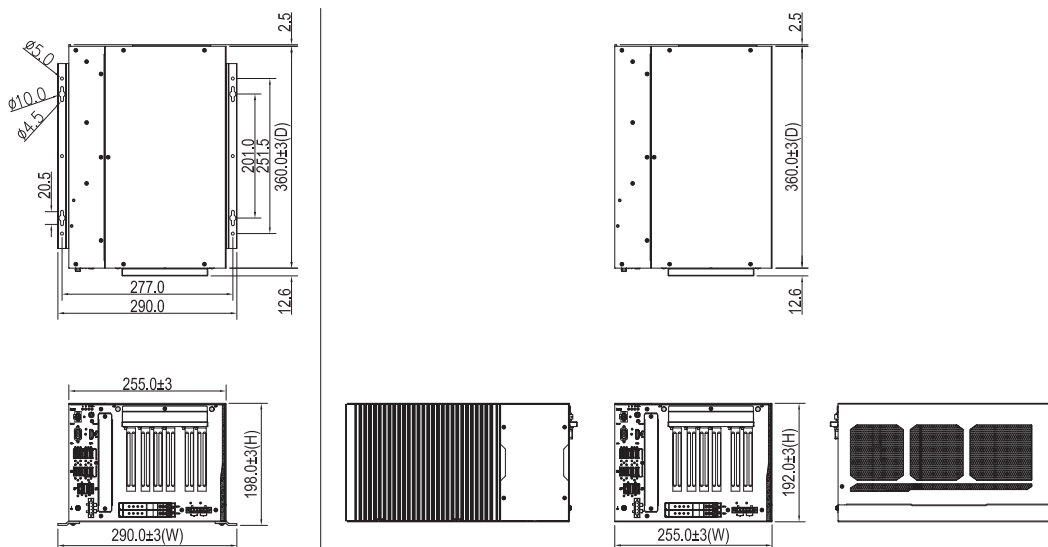
DC Version

OVP (over voltage protection)
OCP (over current protection)
Reverse Protection

Packing List

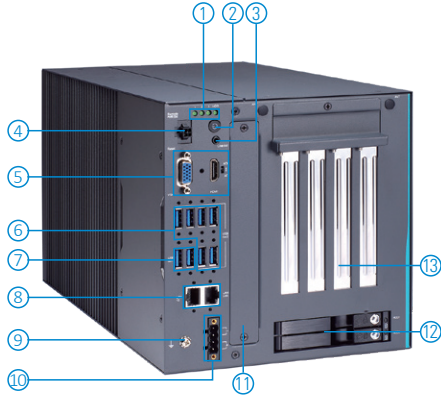
1 x IPC972 unit
1 x Screw pack
4 x Foot pad
1 x CPU grease
1 x 4-pin Terminal block
1 x 6-pin Terminal block
1 x Remote power switch cable
1 x Extension holder bracket kit
2 x HDD spacer
4 x Graphics card power cable
1 x NVMe SSD bracket kit

Dimensions



IPC970

Industrial System with LGA1200 Socket 10th Gen Intel® Xeon® or Core™ i7/i5/i3 Processor, Intel® W480E, Front-access I/O, and PCIe Slots



- | | |
|--|--------------------------------|
| 1. 1 x HDD/SSD access LED & 3 x user's LED | 10. 4-pin terminal block |
| 2. Power on/off button w/LED | 11. Flexible system I/O window |
| 3. Line-out | (1) AX93511 |
| 4. Remote power switch & reset switch | (2) AX93512 |
| 5. VGA, HDMI & AT/ATX selectable switch | (3) AX93516 |
| 6. 6 x USB 3.2 Gen.2 | (4) AX93519 |
| 7. 2 x USB 3.2 Gen.1 | (5) Blank I/O cover |
| 8. 2 x LAN | 12. 2 x 2.5" SSD/HDD bay |
| 9. Ground terminal | 13. Expansion slots |

Features

- 10th Gen Intel® Xeon® or Core™ i7/i5/i3 processor, up to 80W
- Intel® W480E chipset
- Offers up to 400W power for accelerator card
- Supports M.2 Key B slot for 5G wireless connection
- Supports M.2 Key E slot for Wi-Fi connection
- Supports power-on delay function
- Supports TPM 2.0
- Supports Intel® AMT



Specifications

| | | |
|---------------------|---|--|
| Standard Color | Sliver black | |
| Construction | Aluminum extrusion heavy-duty cold-rolled steel | |
| Processor | CPU Level | 10th Gen Intel® Xeon® and Core™ i7/i5/i3 processors (Cometlake-S), up to 80W* |
| System | Chipset | Intel® W480E |
| System Memory | 4 x DDR4-2933 MT/s ECC or non ECC U-DIMM socket, up to 128GB | |
| System I/O | Ethernet | 1 x 2.5GbE LAN (Intel i225-LM) 1 x 1GbE LAN (Intel i219-LM) with Intel AMT |
| | USB | 6 x USB 3.2 Gen.2 (10G) 2 x USB 3.2 Gen.1 1 x USB 2.0 (internal, 180D type A for license key) |
| | Display | 1 x VGA 1920 x 1200 resolution 1 x HDMI 4096 x 2304 @30Hz |
| | Audio | 1 x Line-out |
| | Others | 1 x Power on/off button with LED (ATX) 1 x Remote power switch 1 x AT/ATX selectable switch (default ATX mode) 1 x 4-pin terminal block |
| | Flexible System I/O window | AX93511 |
| | AX93512 | 2 x RS-232/422/485 with isolated 1.5kVDC & 8-in/8-out with isolated 1.5kVDC DIO module |
| | AX93516 | 4 x RS-232/422/485 with isolated 2kVDC module |
| | AX93519 | 1 x 1GbE LAN (Intel® I211-AT) + 2 x RS-232/422/485 + 2 x USB 3.0 (USB 2.0 signal) module |
| | Blank I/O cover | |
| TPM | TPM 2.0 | |
| Expansion Interface | Slot 1-2: PCIe x8 (x4 signal) | |
| | Slot 3: PCIe x16 | |
| | Slot 4: blank | |
| | 1 x Full-size PCI Express Mini Card slot with SIM slot (USB & PCIe interface) | |
| | 1 x M.2 Key E 2234 socket 1 x M.2 Key B 3042/3050 socket with SIM slot | |

Specifications

| | |
|-----------------------|--|
| Storage | 2 x SSD/HDD drive bay (7/9.5mm height, external) 1 x SSD/HDD drive bay (optional, 7/9.5/15mm height, internal) (supports RAID 0,1) 1 x M.2 Key M 2280 socket (PCIe Gen3 x4) for NVMe SSD |
| System Indicators | 1 x HDD/SSD access LED 3 x User's LED |
| Power Input | Type: ATX/AT Input: 24 VDC (uMin=19V/uMax=30V) |
| Operating Temperature | -10°C to +60°C (+14°F up to +140°F) with W.T. HDD/SSD* |
| Storage Temperature | -20°C to +80°C (-4°F to +176°F) |
| Humidity | 10% to 90%, non-condensing |
| Dimensions | 190 mm (7.48") (W) x 192 mm (7.55") (H) x 360 mm (14.17") (D) |
| Weight (net/gross) | 9.8 kg/7.3 kg |
| Certifications | CE(EN61000-6-4/EN61000-6-2)/FCC |
| EOS Support | Windows 10, Linux |
| Software Support | AXView |

*Please refer to the user's manual for the system CPU support list and the system operating temperature list.

Ordering Information

System

| | |
|---------------------------------------|---|
| IPC970-10W-F5E1A (P/N: E26G970102) | Industrial system with Intel® W480 PCH, blank flexible I/O cover, and 3 PCIe slots, w/o Axiomtek logo |
|---------------------------------------|---|

Flexible System I/O Module

| | |
|--------------------------------|--|
| AX93511 (P/N: 8816G974EA0E) | 4 x RS-232/422/485 module (default RS-232) |
| AX93512 (P/N: 8816G974FA0E) | 2 x RS-232/422/485 with isolated 1.5kVDC & 8-in/8-out with isolated 1.5kVDC DIO module |
| AX93516 (P/N: 8816G974GA0E) | 4 x RS-232/422/485 with isolated 2kVDC module |
| AX93519 (P/N: 8816G974HA0E) | 1 x 1GbE LAN (Intel® I211-AT) + 2 x RS-232/422/485 + 2 x USB 3.0 (USB 2.0 signal) module |

Optional Accessory

| | |
|--------------------------------------|------------------------------|
| 2.5" SATA HDD/SSD | |
| DDR4-2933 MT/s ECC or non ECC U-DIMM | |
| 8816G9702A0E | External fan module kit |
| 8816G9704A0E | Wall mount bracket kit |
| 8816G9703A0E | Internal SSD/HDD bracket kit |
| 886G9701CA0E | Memory holder bracket |

Power Protection

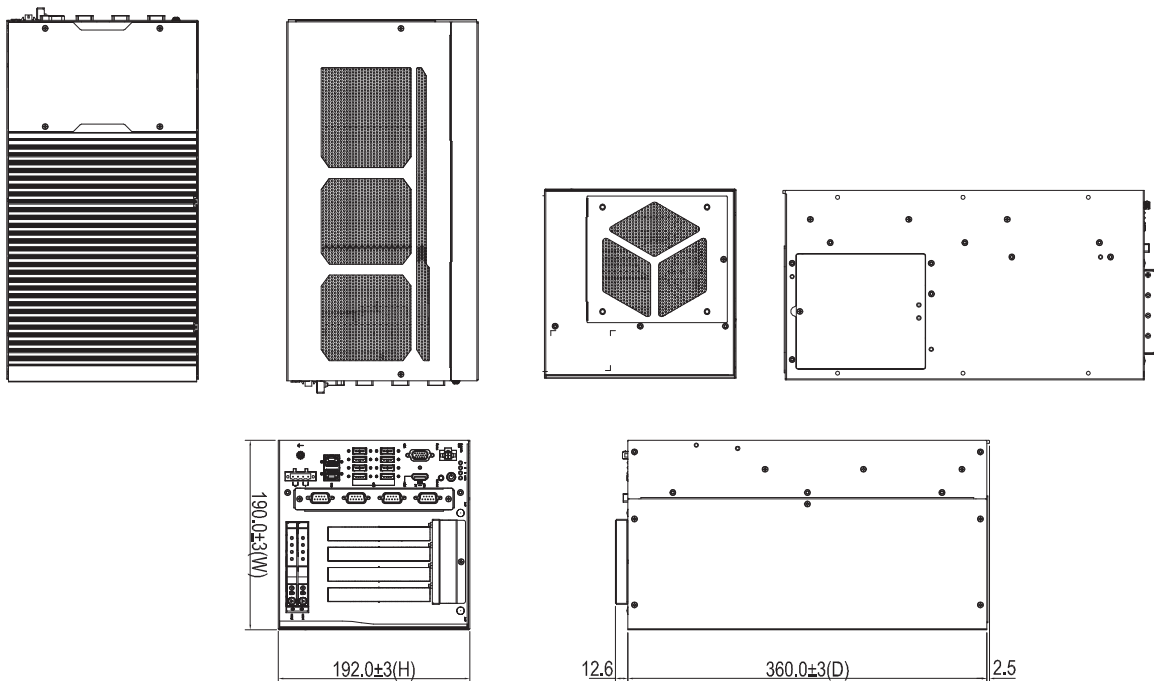
DC Version

OVP (over voltage protection)
OCP (over current protection)
Reverse Protection

Packing List

1 x IPC970 unit
1 x Screw pack
4 x Foot pad
1 x CPU grease
1 x Terminal block
1 x Remote power switch cable
1 x Extension holder bracket kit
2 x HDD spacer
2 x graphics card power cable
1 x NVMe SSD bracket kit

Dimensions



IPC964A NEW

4-slot Industrial System with LGA1700 Socket 12th Gen Intel® Core™ i7/i5/i3 or Celeron® Processor, Intel® Q670E, Front-access I/O, PCIe, and PCI Slots



Coming soon

Features

- LGA1700 socket 12th gen Intel® Core™ processor, up to 65W
- Offers up to 200W power for accelerator card
- M.2 Key B socket for 5G wireless connection (optional)
- Supports RAID 0,1
- Supports ignition control
- Supports TPM 2.0
- Supports Intel® AMT and Intel® RST



Specifications

| | | |
|-----------------------------|---|--|
| Standard Color | Silver & black | |
| Construction | Aluminum extrusion heavy-duty cold-rolled steel | |
| Processor System | CPU Level | 12th gen Intel® Core™ processor, up to 65W* |
| | Chipset | Intel® Q670E |
| System Memory | 2 x DDR5 4800/4000 SO-DIMM, up to 64GB | |
| System I/O | Ethernet | 1 x 2.5GbE LAN (Intel i226-LM) 1 x 1GbE LAN (Intel i219-LM) with Intel AMT |
| | Serial | 1 x RS-232/422/485 (default RS-232, COM1) |
| | USB | 6 x USB 3.2 Gen2x1 (10G) type A |
| | Display | 1 x DisplayPort++ with 4096 x 2304 resolution supported 1 x HDMI with 4096 x 2304 resolution supported 1 x DVI-D with 1920 x 1200 resolution supported |
| | Audio | 1 x 3.5mm jack for Mic-in and Line-out |
| Extension System I/O Module | AX93511 | 4 x RS-232/422/485 module (default RS-232) |
| | AX93512 | 2 x RS-232/422/485 with isolated 1.5kVDC & 8-in/8-out with isolated 1.5kVDC DIO module |
| | AX93516 | 4 x RS-232/422/485 with isolated 2kVDC module |
| | AX93519 | 1 x 1GbE LAN (Intel® I211-AT) + 2 x RS-232/422/485 + 2 x USB 2.0 module |
| TPM | TPM 2.0 | |
| Expansion Interface | UP to 200W power for add-in card, 1 x USB 2.0 (180D type A) PCIe Mini Card slot (USB & PCIe inference) w/SIM slot 1 x M.2 Key E 2230 socket + 1 x M.2 Key B 3042/3050/3052/3060 socket w/SIM slot for 5G module or selected LTE module (optional) EIO141:1 PCIe x16 Gen4 + 1 PCIe x8(x4 signal) Gen3 + 2 PCIe x4 Gen4 EIO142:1 PCIe x16 Gen4 +1 PCIe x4 Gen4 +2 PCI | |
| Storage | 2 x 2.5" HDD/SSD with Intel® RST supported (7/9.5/15 mm height) 1 x M.2 Key M 2280 socket (PCIe x4 Gen4) | |
| System Indicators | 1 x HDD/SSD access LED 3 x User's LED | |

Specifications

| | |
|----------------------------------|--|
| Power Input and Ignition Control | Input: 18 to 30 VDC 1 x Switch for power on/off with LED (default ATX) 1 x 4-pin TB (5.08 mm) for DC input 1 x 4-pin TB (5.08 mm) for ignition control, remote power and remote LED |
| Operating Temperature | -10°C to +60°C (+14°F to +140°F) with 12th gen Intel® Core™ processor and W.T. HDD/SSD* |
| Storage Temperature | -20°C to +80°C (-4°F to +176°F) |
| Humidity | 10% to 90%, non-condensing |
| Dimensions | 205 x 192 x 260 mm |
| Weight (net/gross) | 5.6 kgs / 7.9 kgs |
| Certifications | CE(EN61000-6-4/EN61000-6-2)/FCC |

* Please refer to the user's manual for the system CPU support list and the system operating temperature list.

IPC962A NEW

2-slot Industrial System with LGA1700 Socket 12th Gen Intel® Core™ i7/i5/i3 or Celeron® Processor, Intel® H610E/Q670E, Front-access I/O, PCIe, and PCI Slots



Features

- LGA1700 socket 12th gen Intel® Core™ processor, up to 65W
- Offers up to 200W power for accelerator card
- Supports NVIDIA® Tesla A2 GPU Card
- Optional M.2 Key B socket for 5G wireless connection (Intel® Q670E)
- Supports RAID 0,1 (Intel® Q670E)
- Supports ignition control
- Supports TPM 2.0
- Supports Intel® AMT (Intel® Q670E)
- Supports Intel® RST



Specifications

| | | |
|-----------------------------|---|--|
| Standard Color | Silver & black | |
| Construction | Aluminum extrusion heavy-duty cold-rolled steel | |
| Processor | CPU Level | 12th gen Intel® Core™ processor, up to 65W* |
| System | Chipset | Intel® H610E/Q670E |
| System Memory | 2 x DDR5 4800/4000 SO-DIMM, up to 64GB | |
| System I/O | Ethernet | 1 x 2.5GbE LAN (Intel i226-LM) 1 x 1GbE LAN (Intel i219-LM) with Intel AMT |
| | Serial | 1 x RS-232/422/485 (default RS-232, COM1) |
| | USB | Intel® H610E: 4 x USB 3.2 Gen2x1 (10G) type A 2 x USB 2.0 Type A Intel® Q670E: 6 x USB 3.2 Gen2x1 (10G) type A |
| | Display | 1 x DisplayPort++ with 4096 x 2304 resolution supported 1 x HDMI with 4096 x 2304 resolution supported 1 x DVI-D with 1920 x 1200 resolution supported |
| | Audio | 1 x 3.5mm jack for Mic-in and Line-out |
| Extension System I/O Module | AX93511 | 4 x RS-232/422/485 module (default RS-232) |
| | AX93512 | 2 x RS-232/422/485 with isolated 1.5kVDC & 8-in/8-out with isolated 1.5kVDC DIO module |
| | AX93516 | 4 x RS-232/422/485 with isolated 2kVDC module |
| | AX93519 | 1 x 1GbE LAN (Intel® I211-AT) + 2 x RS-232/422/485 + 2 x USB 2.0 module |
| TPM | TPM 2.0 | |
| Expansion Interface | UP to 200W power for add-in card, 1 x USB 2.0 (180D type A) | |
| | EIO121: 1 PCIe x16 Gen4 +1 PCIe x8(x3 signal) Gen4 or | |
| | EIO122: 1 PCIe x16 Gen4 + 1 PCI | |
| | H610E: 1 x Full-size mPCIe slot (USB & PCIe interface) w/SIM slot 1 x M.2 Key E 2230 socket (optional) | |
| | Q670E: 1 x Full-size mPCIe slot (USB & PCIe interface) w/SIM slot 1 x M.2 Key E 2230 socket + 1 x M.2 Key B 3042/3050/3052/3060 socket w/SIM slot for 5G module or selected LTE module (optional) | |

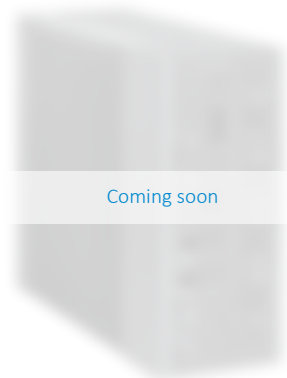
Specifications

| | |
|----------------------------------|--|
| Storage | Intel® H610E: 2 x 2.5" HDD/SSD with Intel® RST supported (7/9.5/15 mm height) Intel® Q670E: 2 x 2.5" HDD/SSD with Intel® RST supported (7/9.5/15 mm height) 1 x M.2 Key M 2280 socket (PCIe x4 Gen4) |
| System Indicators | 1 x HDD/SSD access LED 3 x User's LED |
| Power Input and Ignition Control | Input: 18 to 30 VDC 1 x Switch for power on/off with LED (default ATX) 1 x 4-pin TB (5.08 mm) for DC input 1 x 4-pin TB (5.08 mm) for ignition control, remote power and remote LED |
| Operating Temperature | -10°C to +60°C (+14°F to +140°F) with 12th gen Intel® Core™ processor and W.T. HDD/SSD* |
| Storage Temperature | -20°C to +80°C (-4°F to +176°F) |
| Humidity | 10% to 90%, non-condensing |
| Dimensions | 170 x 192 x 260 mm |
| Weight (net/gross) | TBC |
| Certifications | CE(EN61000-6-4/EN61000-6-2)/FCC |

* Please refer to the user's manual for the system CPU support list and the system operating temperature list.

IPC960A NEW

Fanless Industrial System with LGA1700 Socket 12th Gen Intel® Core™ i7/i5/i3 or Celeron® Processor, Intel® H610E/Q670E, and Front-access I/O



Coming soon

Features

- LGA1700 socket 12th gen Intel® Core™ processor, up to 65W
- Optional M.2 Key B socket for 5G wireless connection (Intel® Q670E)
- Supports RAID 0,1 (Intel® Q670E)
- Supports ignition control
- Supports TPM 2.0
- Supports Intel® AMT (Intel® Q670E)
- Supports Intel® RST



Specifications

| | | | |
|-----------------------------|---|--|--|
| Standard Color | Silver & black | | |
| Construction | Aluminum extrusion heavy-duty cold-rolled steel | | |
| Processor | CPU Level | 12th gen Intel® Core™ processor, up to 65W* | |
| | System Chipset | Intel® H610E/Q670E | |
| System Memory | 2 x DDR5 4800/4000 SO-DIMM, up to 64GB | | |
| System I/O | Ethernet | 1 x 2.5GbE LAN (Intel® I226-LM) 1 x RJ-45 GbE LAN (Intel® I219-LM) with Intel® AMT | |
| | Serial | 1 x RS-232/422/485 (default RS-232, COM1) | |
| | USB | Intel® H610E: | 4 x USB 3.2 Gen2x1 (10G) type A 2 x USB 2.0 Type A |
| | | Intel® Q670E: | 6 x USB 3.2 Gen2x1 (10G) type A |
| | | Display | 1 x DisplayPort++ with 4096 x 2304 resolution supported 1 x HDMI with 4096 x 2304 resolution supported 1 x DVI-D with 1920 x 1200 resolution supported |
| Audio | 1 x 3.5mm jack for Mic-in and Line-out | | |
| Extension System I/O Module | AX93511 | 4 x RS-232/422/485 module (default RS-232) | |
| | AX93512 | 2 x RS-232/422/485 with isolated 1.5kVDC & 8-in/8-out with isolated 1.5kVDC DIO module | |
| | AX93516 | 4 x RS-232/422/485 with isolated 2kVDC module | |
| | AX93519 | 1 x 1GbE LAN (Intel® I211-AT) + 2 x RS-232/422/485 + 2 x USB 2.0 module | |
| TPM | TPM2.0 | | |
| Expansion Interface | Intel® H610E: | 1 x Full-size PCI Express Mini Card slot (USB & PCIe interface) with SIM slot 1 x M.2 Key E 2230 socket (optional) | |
| | Intel® Q670E: | 1 x Full-size PCI Express Mini Card slot (USB & PCIe interface) with SIM slot 1 x M.2 Key E 2230 socket 1 x M.2 Key B 3042/3050/3052/3060 socket with SIM slot for 5G module or selected LTE module (optional) | |

Specifications

| | |
|----------------------------------|--|
| Storage | Intel® H610E: 2 x 2.5" HDD/SSD with Intel® RST supported (7/9.5/15 mm height) Intel® Q670E: 2 x 2.5" HDD/SSD with Intel® RST supported (7/9.5/15 mm height) 1 x M.2 Key M 2280 socket (PCIe x4 Gen4) |
| System Indicators | 1 x HDD/SSD access LED 3 x User's LED |
| Power Input and Ignition Control | Input: 18 to 30 VDC 1 x Switch for power on/off with LED (default ATX) 1 x 4-pin TB (5.08 mm) for DC input 1 x 4-pin TB (5.08 mm) for ignition control, remote power and remote LED |
| Operating Temperature | -10°C to +60°C (+14°F to +140°F) with 12th gen Intel® Core™ processor and W.T. HDD/SSD* |
| Storage Temperature | -20°C to +80°C (-4°F to +176°F) |
| Humidity | 10% to 90%, non-condensing |
| Dimensions | 83.5 x 192 x 260 mm |
| Weight (net/gross) | TBC |
| Certifications | CE(EN61000-6-4/EN61000-6-2)/FCC |

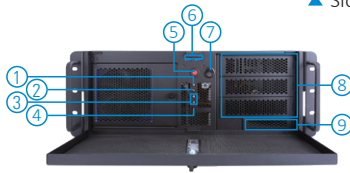
* Please refer to the user's manual for the system CPU support list and the system operating temperature list.

iHPC300

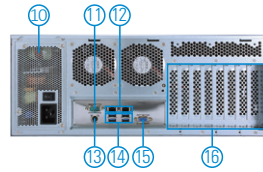
4U Rackmount GPU Workstation with 3rd Generation Intel® Xeon® Scalable Processor and Multiple Accelerator Cards



▲ Side view



▲ Front view



▲ Rear view

- | | |
|---|--|
| <ol style="list-style-type: none"> 1. Power LED 2. HDD LED 3. LAN activity LED 4. Programmable LED 5. System reset 6. 2 x USB 3.1 Gen1 7. Power switch 8. 3 x 5.25" HDD drive bay | <ol style="list-style-type: none"> 9. 1 x 3.5" HDD drive bay 10. 1200W or 2000W power supply 11. COM port 12. 2 x LAN 13. PS/2 Combo Port 14. 4 x USB 3.1 Gen1 15. VGA 16. Expansion slots |
|---|--|

Features

- LGA4189 socket Intel® Xeon® Scalable processor, up to 270W, 40 cores
- Six DDR4-3200 R-DIMM ECC memory, up to 384GB
- 3 PCIe x16 and 3 PCIe x8, supporting up to six accelerator cards
- Supports M.2 Key M 2280
- TPM 2.0 supported (optional)



Specifications

| | |
|---------------------|---|
| CPU | LGA4189 socket Intel® Xeon® Scalable CPU up to 270W, 40 cores (code name: Ice Lake-SP) |
| System Memory | 6 x DDR4-3200 R-DIMM ECC memory, up to 384GB |
| Chipset | Intel® C621A |
| BIOS | AMI BIOS |
| Drive Capacity | Exposed: 3 x 5.25" HDD drive bay and 1 x 3.5" HDD drive bay Internal: 3 x 3.5" HDD drive bay or 2 x 3.5" or 1 x 2.5" |
| Cooling | 1 x 12cm PWM front fan |
| Watchdog Timer | 255 levels, 1 to 255 sec. |
| Expansion Interface | Slot1: PCIe x8 Slot2: PCIe x16 (Gen4) Slot3: M.2 key M 2280 (signal: x4) Slot4: PCIe x16 (Gen4) Slot5: PCIe x8 slot (signal: x0 or x8) Slot6: PCIe x16 (signal: x16 or x8) Slot7: PCIe x8 |
| Rear I/O | 1 x RS-232/422/485 1 x PS/2 keyboard and mouse |
| Storage | 6 x SATA3 with RAID 0/1/5/10 1 x NVMe M.2 M Key: 2280 (PCIe x4) |
| Ethernet | 2 x 10/100/1000Mbps LAN port with Intel® i210-AT |
| Audio | HD Codec audio as MIC-in/Line-in/Line-out/Speaker-out with audio kit AX93242 (optional) |
| USB | 4 x USB 3.1 Gen1 (rear I/O) 2 x USB 3.1 Gen1 (internal box header) 6 x USB 2.0 (internal box header) 1 x USB 2.0 (180D TypeA) |
| SMBus | System Management Bus for advanced monitoring/control |

Specifications

| | | |
|-----------------------|--|--|
| Front panel | Indicator | 1 x Power LED 1 x HDD LED 2 x LAN activity LED 1 x Programmable LED |
| | Controls | 1 x Power switch 1 x System reset |
| | Connector | 2 x USB 3.1 Gen1 |
| Power Supply Type | <ul style="list-style-type: none"> 1200W AC Input voltage: 100 to 240V 2000W AC Input voltage: 200 to 240V | |
| Graphic | AST2510 | |
| Memory Size | N/A | |
| Display Interface | 1 x VGA | |
| Operation Temperature | 0°C to +40°C (+32°F to +104°F) | |
| Storage Temperature | -20°C to +60°C (-4°F to +140°F) | |
| Humidity | 10% - 95%, non-condensing | |
| OS Support | Windows Server 2019 Linux: Ubuntu 20.04 | |
| Dimensions | 430 mm (16.9") (W) x 174.8 mm (6.9") (H) x 515mm (20.3") (D) | |
| Weight (net/gross) | 17.15 kg (37.8 lb)/ 21.78 kg (48 lb) | |
| Certification | CE/FCC | |

*Please refer to the user's manual for the system CPU support list and the system operating temperature list.

Ordering Information

System

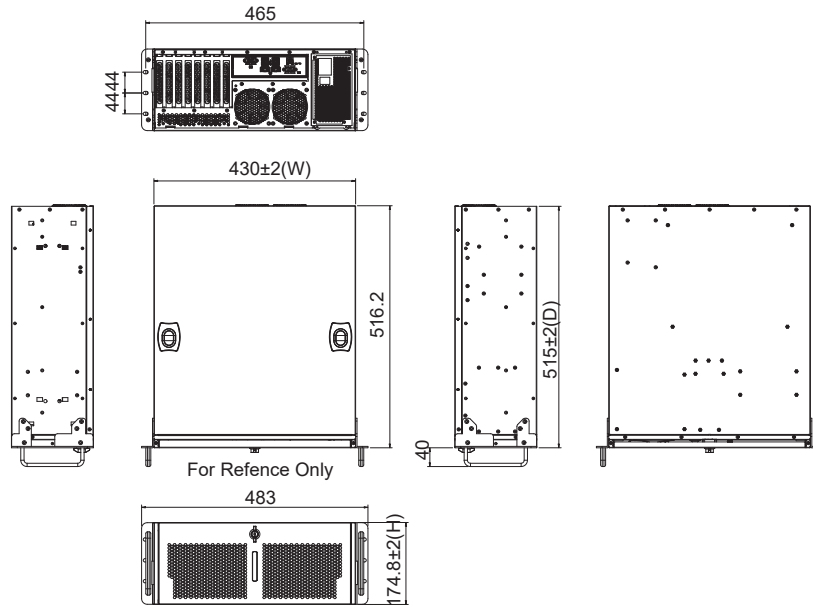
| | |
|---------------------------------------|--|
| iHPC300-C621A-BA (P/N: E26W300100) | 4U rackmount GPU workstation with Intel® Xeon® Scalable processor, 1200W, and 3 PCIe x16 |
| iHPC300-C621A-BB (P/N: E26W300101) | 4U rackmount GPU workstation with Intel® Xeon® Scalable processor, 2000W, and 3 PCIe x16 |

Optional Accessory

| | |
|--------------|---|
| 5938A808010E | 2 x USB 2.0 cable with bracket, P=2.54 mm, L=190 mm |
| 5938A808020E | 2 x USB 2.0 cable with bracket, P=2.54 mm, L=400 mm |
| 5948C122800E | 2 x USB 3.1 Gen1 cable with bracket, L=400 mm |
| E393242100 | AX93242-RC HD audio converter kit |
| 83935151000E | TPM 2.0 module (AX93515) |
| 593826A0000E | SATA signal cable/red, L=500 mm |
| 713WFB30000E | LGA-4189 CPU cooler for iHPC300 (above 205W TDP) |

* Specifications and certifications may vary based on different requirements.

Dimensions



iHPC100 NEW

Tower GPU Workstation with 12th Gen Intel® Core™ Processor



Features

- LGA1700 socket 12th gen Intel® Core™ i9/i7/i5/i3, Pentium® or Celeron® processor with Intel® Q670E chipset, up to 125W
- 4 DDR4-3200 R-DIMM unbuffered non-ECC/ECC memory, up to 128GB
- 1 PCIe x16 (Gen4), 4 PCIe x4 (Gen4), and 1 PCI
- Supports M.2 Key M 2280
- Supports TPM 2.0 (optional)



Specifications

| | |
|---------------------|--|
| CPU | LGA1700 socket 12th gen Intel® Core™ i9/i7/i5/i3, Pentium® or Celeron® processor, up to 125W |
| System Memory | 4 x 288-pin DDR4-3200 R-DIMM unbuffered non-ECC memory, up to 128GB |
| Chipset | Intel® Q670E |
| BIOS | AMI BIOS |
| Drive Capacity | Exposed 3 x 5.25" HDD drive bay Internal 1 x 3.5" & 1 x 2.5" HDD drive bay |
| Cooling | 1 x 12cm |
| Watchdog Timer | 255 levels, 1 to 255 sec. |
| Expansion Interface | Slot1: PCIe x16 (Gen4) Slot2: PCIe x4 (Gen4) Slot3: PCIe x4 (Gen4) Slot5: PCIe x4 (Gen4) Slot6: PCI Slot7: PCIe x4 (Gen4) |
| Rear I/O | 2 x RS-232/422/485 1 x PS/2 keyboard and mouse |
| Expansion I/O | 1 x M.2 Key E 2230 (PCIe & USB 2.0 signal) |
| Storage | 4 x SATA3 with RAID 0/1/5/10 1 x NVMe M.2 M Key: 2280 (PCIe x4) |
| Ethernet | 1 x 10/100/1000 Mbps Ethernet with Intel® i219-LM; supports Wake-on-LAN, PXE Boot ROM, iAMT 1 x 10/100/1000 Mbps Ethernet with Intel® i210-AT; supports Wake-on-LAN, PXE Boot ROM |
| Audio | HD Codec audio as MIC-in/Line-in/Line-out |
| USB | 6 x USB 3.2 Gen 1x1 (rear I/O) 2 x USB 3.2 Gen 1x1 (internal, box header) 4 x USB 2.0 (internal, pin header) 1 x USB 2.0 (internal, 180D type A) |
| Front panel | Indicator 1 x Power LED 1 x HDD LED Controls 1 x Power Switch 1 x System reset |
| Front panel | Connector 2 x USB 3.1 Gen1 |

Specifications

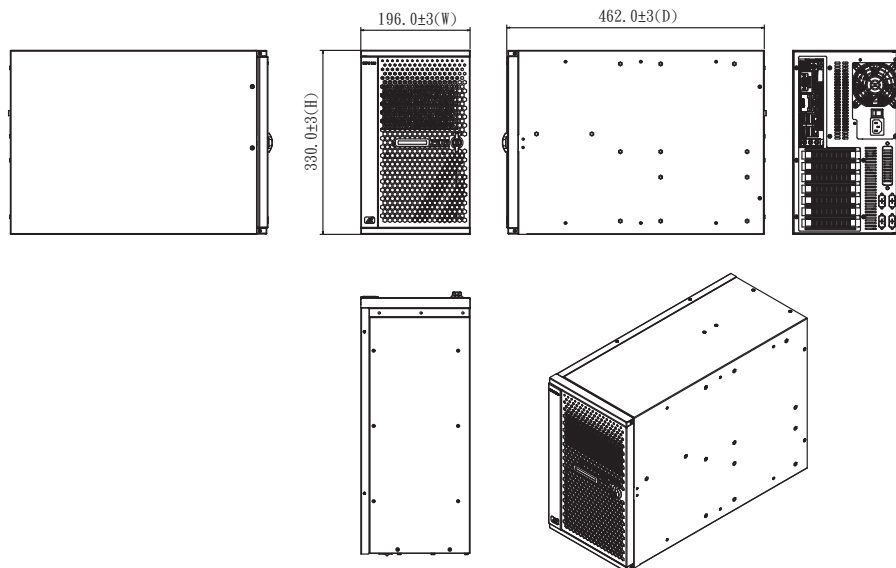
| | |
|-----------------------|--|
| Power Supply Type | 750W AC Input voltage: 100 to 240V |
| Memory Size | N/A |
| Display Interface | 1 x VGA 1 x DVI-D 1 x HDMI 1 x eDP (Header) |
| Operation Temperature | 0°C to +40°C (+32°F to +104°F) |
| Storage Temperature | -20°C to +60°C (-4°F to +140°F) |
| Humidity | 10%- 95%, non-condensing |
| OS Support | Linux: Ubuntu 20.04 Windows 11 |
| Dimensions | TBC |
| Weight (net/gross) | TBC |
| Certification | TBC |

Ordering Information

System

| | |
|-----------------------------|---|
| iHPC100-R680E (P/N: TBD) | Tower GPU workstation with with 12th gen Intel® Core™ processor, 750W, and multiple accelerator cards |
|-----------------------------|---|

Dimensions



4

Edge AI Systems

Axiomtek's AIE series of edge AI embedded systems is designed for AI inference, GPU computing, machine learning, image processing, the artificial intelligence of things, and much more. This product line is dedicated to achieving operational excellence, efficiency, reliability in manufacturing, transportation, agriculture, smart city, and retail applications.

| | | |
|--|---|-----|
| Selection Guide | | 159 |
|  AIE900A-AO | Fanless Edge AI System with NVIDIA® Jetson AGX Orin™, 1 HDMI, 2 2.5GbE, 8 PoE, 6 USB, 8-CH DI/DO, and 2 COM/CAN for 5G and Robotics Applications | 164 |
| AIE900-XNX | Fanless Edge AI System with NVIDIA® Jetson Xavier™ NX, 1 HDMI, 1 GbE LAN, 4 GbE PoE, 8-CH DI/DO, and 2 COM/CAN for 5G and AMR Applications | 166 |
| AIE900-902-FL | Fanless Edge AI System with NVIDIA® Jetson AGX Xavier™ SoM, 2 HDMI, 2 GbE LAN, 4 GbE PoE, 6 USB, 2 COM or 2 CAN and 8-CH DI/DO | 169 |
|  AIE800-904-FL-DC | Rugged IP67-rated Fanless Edge AI System with NVIDIA® Jetson Xavier™ NX, 1 HDMI, 1 GbE PoE, 2 USB, and 9 to 36 VDC | 172 |
| AIE800-904-FL | Rugged IP67-rated Fanless Edge AI System with NVIDIA® Jetson Xavier™ NX, 1 HDMI, 1 GbE PoE, USB, and 100 to 240 VAC | 174 |
| AIE500-901-FL | Fanless Edge AI System with NVIDIA® Jetson™ TX2 Series, HDMI, 2 GbE LAN, 2 USB, 2 COM or 2 CAN, and 12 or 24 VDC | 176 |
|  AIE110-XNX | Edge AI Developer Kit with NVIDIA® Jetson Xavier™ NX SoM, 1 HDMI, 1 GbE LAN, 1 GbE PoE, and 2 USB | 179 |
|  AIE100A-ONX | Fanless Edge AI System with NVIDIA® Jetson Orin™ NX SoM, 1 HDMI, 1 GbE LAN, 1 GbE PoE, and 2 USB, Remote Management Service Empowered by Allxon | 182 |
| AIE100-T2NX | Fanless Edge AI System with NVIDIA® Jetson™ TX2 NX SoM, 1 HDMI, 1 GbE LAN, 1 GbE PoE, and 2 USB, Remote Management Service Empowered by Allxon | 185 |
| AIE100-903-FL-NX | Fanless Edge AI System with NVIDIA® Jetson Xavier™ NX SoM, 1 HDMI, 1 GbE LAN, 1 GbE PoE, and 2 USB, Remote Management Service Empowered by Allxon | 188 |
| AIE100-903-FL | Fanless Edge AI System with NVIDIA® Jetson Nano™ SoM, 1 HDMI, 1 GbE LAN, 1 GbE PoE, and 2 USB | 191 |
|  RSC201 | Fanless Edge AI Computer Vision System with Xilinx® Kria™ K26 SoM, GbE LAN, CANbus, PMOD, COM, USB 3.0, DisplayPort, and 5G wireless Connection | 193 |
|  RSC101 | Fanless Edge AI Computer Vision System with Hailo-8™ Processor, HDMI, GbE LAN, USB 3.2, DIO, and Wi-Fi/Bluetooth/5G/LTE Wireless Connection | 195 |
|  RSC100 | Fanless Edge AI Computer Vision System with Hailo-8™ Processor, HDMI, GbE LAN, COM, DIO, CANbus, and Wi-Fi/Bluetooth/5G/LTE Wireless Connection | 197 |

Edge AI Systems

Selection Guide



| Features\Models | AIE900A-AO | AIE900-XXN | AIE900-902-FL |
|---------------------------|---|---|--|
| AI Accelerator | NVIDIA® Jetson AGX Orin™ | NVIDIA® Jetson Xavier™ NX | NVIDIA® Jetson AGX Xavier™ |
| CPU Level | 8-core Arm® Cortex®-A78AE v8.2 64-bit CPU 3MB L2 + 6MB L3 | 6-core NVIDIA Carmel ARM®v8.2 64-bit CPU 6MB L2 + 4MB L3 | 8-core NVIDIA Carmel Arm® v8.2 64-bit CPU 8MB L2 + 4MB L3 |
| GPU | 1792-core NVIDIA Ampere™ GPU with 56 Tensor Cores | 384-core NVIDIA Volta™ GPU with 48 Tensor Cores | 512-core NVIDIA Volta™ GPU with 64 Tensor Cores |
| System Memory | 32GB 256-bit LPDDR5 onboard | 8GB 128-bit LPDDR4x onboard | 32GB 256-bit LPDDR4x onboard |
| Serial | 2 x RS-232/422/485/CAN | 2 x RS-232/422/485/CAN | 2 x RS-232/CAN |
| Display | 1 x HDMI (lockable) | 1 x HDMI (lockable) | 2 x HDMI (lockable) |
| Ethernet | 2 x 10/100/1000 Mbps Ethernet 8 x 10/100 Mbps PoE | 1 x 10/100/1000 Mbps Ethernet 4 x 10/100/1000 Mbps PoE | 2 x 10/100/1000 Mbps Ethernet 4 x 10/100/1000 Mbps PoE |
| USB | 4 x USB 3.2 Gen2 (Lockable) 2 x USB 2.0 1 x Micro USB | 2 x USB 3.1 Gen2 1 x Micro USB | 2 x USB 3.1 Gen2 2 x USB 3.1 Gen1 2 x USB 2.0 1 x Micro USB |
| Expansion Interface | 1 x MIPI CSI-2 connector 1 x M.2 Key E slot for Wi-Fi i6 (E) 1 x M.2 Key B slot for 5G/LTE 1 x Nano SIM slot | 1 x MIPI CSI-2 connector (by option) 1 x Full-size PCI Express Mini Card slot (USB + PCIe) 1 x M.2 Key B slot for 5G 1 x SIM slot | 1 x Full-size PCI Express Mini Card slot (USB + PCIe) 1 x M.2 Key E 2230 slot 1 x SIM slot |
| Storage | Onboard 64GB eMMC (built-in AGX Orin) 1 x M.2 Key M NVMe SSD slot 1 x Micro SD slot | Onboard 16GB eMMC (built-in Xavier NX) 1 x M.2 Key M NVMe SSD slot 1 x Micro SD slot | Onboard 32GB eMMC (built-in AGX Xavier) 1 x M.2 Key M NVMe SSD slot 1 x Micro SD slot 1 x 2.5" SSD/HDD drive bay |
| Watchdog Timer | Built-in AGX Orin | Dual watchdog timer | Built-in AGX Xavier |
| Power Supply | 24 VDC with ignition power control | 9 to 36 VDC (ignition power control by option) | 24 VDC |
| Operating Temperature | -30°C to +50°C (-22°F to +122°F) | -30°C to +60°C (-22°F to +140°F) | -30°C to +50°C (-22°F to +122°F) |
| Mounting | Wall mount DIN-rail VESA mount | Wall mount DIN-rail VESA mount | Wall mount DIN-rail VESA mount |
| Dimensions (W x D x H) | 239 x 185.3 x 79.4 mm (9.41" x 7.3" x 3.13") | 239 x 185.3 x 79.4 mm (9.41" x 7.3" x 3.13") | 239 x 185.3 x 79.4 mm (9.41" x 7.3" x 3.13") |
| Weight (net/gross) | TBD | 2.8 kg (6.17 lb)/3.45 kg (7.61 lb) | 2.8 kg (6.17 lb)/3.45 kg (7.61 lb) |
| Certifications | CE, FCC Class A | CE, FCC Class A | CE, FCC Class A |
| EOS Support | Linux Ubuntu 20.04 or later | Linux Ubuntu 18.04 or later | Linux Ubuntu 18.04 or later |

Edge AI Systems

Selection Guide

NEW



| Features\Models | AIE800-904-FL-DC | AIE800-904-FL |
|---------------------------|--|--|
| AI Accelerator | NVIDIA® Jetson Xavier™ NX | NVIDIA® Jetson Xavier™ NX |
| CPU Level | 6-core NVIDIA Carmel ARM® v8.2 64-bit CPU 6MB L2 + 4MB L3 | 6-core NVIDIA Carmel ARM® v8.2 64-bit CPU 6MB L2 + 4MB L3 |
| GPU | 384-core NVIDIA Volta™ GPU with 48 Tensor Cores | 384-core NVIDIA Volta™ GPU with 48 Tensor Cores |
| System Memory | 8GB 128-bit LPDDR4x onboard | 8GB 128-bit LPDDR4x onboard |
| Serial | N/A | N/A |
| Display | 1 x HDMI | 1 x HDMI |
| Ethernet | 1 x 10/100/1000 Mbps PoE | 1 x 10/100/1000 Mbps PoE |
| USB | 2 x USB 2.0 | 1 x USB 2.0 |
| Expansion Interface | 1 x Full-size PCI Express Mini Card slot (USB + PCIe) 1 x SIM slot | 1 x Full-size PCI Express Mini Card slot (USB + PCIe) 1 x SIM slot |
| Storage | Onboard 16GB eMMC (built-in Xavier NX) 1 x M.2 Key B NVMe SSD slot | Onboard 16GB eMMC (built-in Xavier NX) 1 x M.2 Key B NVMe SSD slot |
| Watchdog Timer | Built-in Xavier NX | Built-in Xavier NX |
| Power Supply | 9 to 36 VDC | 100 to 240 VAC with 10kV SPD |
| Operating Temperature | -30°C to +50°C (-22°F to +122°F) | -30°C to +50°C (-22°F to +122°F) |
| Mounting | Wall mount VESA mount | Wall mount VESA mount |
| Dimensions (W x D x H) | 366.8 x 235 x 83.8 mm (14.44" x 9.25" x 3.3") | 366.8 x 235 x 83.8 mm (14.44" x 9.25" x 3.3") |
| Weight (net/gross) | 4 kg (8.19 lb)/5.37 kg (11.84 lb) | 4.13 kg (9.11 lb)/5.5 kg (12.13 lb) |
| Certifications | CE, FCC Class A | CE, FCC Class A |
| EOS Support | Linux Ubuntu 18.04 or later | Linux Ubuntu 18.04 or later |



NEW



NEW



| Features\Models | AIE500-901-FL | AIE110-XXN | AIE100A-ONX |
|------------------------|---|--|---|
| AI Accelerator | NVIDIA® Jetson™ TX2 | NVIDIA® Jetson Xavier™ NX | NVIDIA® Jetson Orin™ NX |
| CPU Level | Dual-Core NVIDIA Denver 2 64-Bit CPU and Quad-Core Arm® Cortex®-A57 MPCore processor | 6-core NVIDIA Carmel ARM® v8.2 64-bit CPU 6MB L2 + 4MB L3 | 6-core NVIDIA Arm® Cortex A78AE v8.2 64-bit CPU 1.5MB L2 + 4MB L3 (8GB) 8-core NVIDIA Arm® Cortex A78AE v8.2 64-bit CPU 2MB L2 + 4MB L3 (16GB) |
| GPU | 256-core NVIDIA Pascal™ GPU | 384-core NVIDIA Volta™ GPU with 48 Tensor Cores | 1024-core NVIDIA Ampere GPU with 32 Tensor Cores |
| System Memory | 8GB 128-bit LPDDR4 onboard | 8GB 128-bit LPDDR4x onboard | 8GB: 8GB 128-bit LPDDR5 onboard 16GB: 16GB 128-bit LPDDR5 onboard |
| Serial | 2 x RS-232 default (or 2 x CAN by jumper settings) | N/A | N/A |
| Display | 1 x HDMI | 1 x HDMI | 1 x HDMI |
| Ethernet | 2 x 10/100/1000 Mbps Ethernet | 1 x 10/100/1000 Mbps Ethernet 1 x 10/100/1000 Mbps PoE | 1 x 10/100/1000 Mbps Ethernet 1 x 10/100/1000 Mbps PoE |
| USB | 2 x USB 3.1 Gen1 1 x Micro USB | 1 x USB 3.2 Gen2 1 x USB 2.0 1 x Micro USB | 1 x USB 3.2 Gen2 1 x USB 2.0 1 x Micro USB |
| Expansion Interface | 1 x Full-size PCI Express Mini Card slot (USB + PCIe) 1 x SIM slot | 1 x Full-size PCI Express Mini Card slot (USB + PCIe) 1 x SIM slot | 1 x Full-size PCI Express Mini Card slot (USB + PCIe) 1 x SIM slot |
| Storage | Onboard 32GB eMMC (built-in TX2) 1 x M.2 Key M NVMe & SATA SSD slot 1 x Micro SD slot | Onboard 16GB eMMC (built-in Xavier NX) 1 x M.2 Key M NVMe SSD slot 1 x Micro SD slot | 1 x M.2 Key M PCIe x4 NVMe SSD slot |
| Watchdog Timer | Built-in TX2 | Built-in Xavier NX | Built-in Orin NX |
| Power Supply | 12 or 24 VDC | 12 VDC | 12 VDC |
| Operating Temperature | -30°C to +60°C (-22°F to +140°F) | -10°C to +60°C (14°F to +122°F) | -30°C to +50°C (-22°F to +122°F) |
| Mounting | Wall mount DIN-rail VESA mount | Wall mount | Wall mount DIN-rail VESA mount |
| Dimensions (W x D x H) | 171 x 110 x 57 mm (6.73" x 4.33" x 2.24") | 165 x 117 x 37.7 mm (6.49" x 4.60" x 1.48") | 148.6 x 129.8 x 34.6 mm (5.85" x 5.11" x 1.36") |
| Weight (net/gross) | 1.2 kg (2.64 lb)/1.7 kg (3.75 lb) | 0.3 kg (0.66 lb)/0.9 kg (1.98 lb) | 1 kg (2.20 lb)/1.6 kg (3.52 lb) |
| Certifications | CE, FCC Class A | CE, FCC Class A | CE, FCC Class A |
| EOS Support | Linux Ubuntu 18.04 | Linux Ubuntu 18.04 or later | Linux Ubuntu 20.04 or later |

Edge AI Systems

Selection Guide



| Features\Models | AIE100-T2NX | AIE100-903-FL-NX | AIE100-903-FL |
|------------------------|---|--|---|
| AI Accelerator | NVIDIA® Jetson™ TX2 NX | NVIDIA® Jetson Xavier™ NX | NVIDIA® Jetson Nano™ |
| CPU Level | Dual-Core NVIDIA Denver 2 64-Bit CPU and Quad-Core Arm® Cortex®-A57 MPCore processor | 6-core NVIDIA Carmel ARM®v8.2 64-bit CPU 6MB L2 + 4MB L3 | Quad-core ARM® Cortex®-A57 MPCore |
| GPU | 256-core NVIDIA Pascal™ GPU | 384-core NVIDIA Volta™ GPU with 48 Tensor Cores | 128-core NVIDIA Maxwell™ GPU |
| System Memory | 4GB 128-bit LPDDR4 onboard | 8GB 128-bit LPDDR4x onboard | 4GB 64-bit LPDDR4 onboard |
| Serial | N/A | N/A | N/A |
| Display | 1 x HDMI | 1 x HDMI | 1 x HDMI |
| Ethernet | 1 x 10/100/1000 Mbps Ethernet 1 x 10/100/1000 Mbps PoE | 1 x 10/100/1000 Mbps Ethernet 1 x 10/100/1000 Mbps PoE | 1 x 10/100/1000 Mbps Ethernet 1 x 10/100/1000 Mbps PoE |
| USB | 1 x USB 3.1 Gen1 1 x USB 2.0 1 x Micro USB | 1 x USB 3.1 Gen2 1 x USB 2.0 1 x Micro USB | 1 x USB 3.0 1 x USB 2.0 1 x Micro USB |
| Expansion Interface | 1 x Full-size PCI Express Mini Card slot (USB + PCIe) 1 x SIM slot | 1 x Full-size PCI Express Mini Card slot (USB + PCIe) 1 x SIM slot | 1 x Full-size PCI Express Mini Card slot (USB + PCIe) 1 x SIM slot |
| Storage | Onboard 16GB eMMC (built-in TX2 NX) 1 x M.2 Key M PCIe x4 NVMe SSD slot 1 x Micro SD slot | Onboard 16GB eMMC (built-in Xavier NX) 1 x M.2 Key M PCIe x4 NVMe SSD slot 1 x Micro SD slot | Onboard 16GB eMMC (built-in Nano) 1 x M.2 Key M PCIe x4 NVMe SSD slot 1 x Micro SD slot |
| Watchdog Timer | Built-in TX2 NX | Built-in Xavier NX | Built-in TX2 NX |
| Power Supply | 12 VDC | 12 VDC | 12 VDC |
| Operating Temperature | -30°C to +60°C (-22°F to +140°F) | -30°C to +50°C (-22°F to +122°F) | -30°C to +60°C (-22°F to +140°F) |
| Mounting | Wall mount DIN-rail VESA mount | Wall mount DIN-rail VESA mount | Wall mount DIN-rail VESA mount |
| Dimensions (W x D x H) | 148.6 x 129.8 x 34.6 mm (5.85" x 5.11" x 1.36") | 148.6 x 129.8 x 34.6 mm (5.85" x 5.11" x 1.36") | 148.6 x 129.8 x 34.6 mm (5.85" x 5.11" x 1.36") |
| Weight (net/gross) | 1 kg (2.20 lb)/1.6 kg (3.52 lb) | 1 kg (2.20 lb)/1.6 kg (3.52 lb) | 1 kg (2.20 lb)/1.6 kg (3.52 lb) |
| Certifications | CE, FCC Class A | CE, FCC Class A | CE, FCC Class A |
| EOS Support | Linux Ubuntu 18.04 | Linux Ubuntu 18.04 or later | Linux Ubuntu 18.04 |

NEW



NEW



NEW



| Features\Models | RSC201 | RSC101 | RSC100 |
|------------------------|--|--|---|
| AI Accelerator | Xilinx Kria K26 System-on-Module | Hailo-8™ SoC, up to 26 TOPS | Hailo-8™, up to 26 TOPS |
| CPU Level | Quad-core Arm® Cortex®-A53 MPCore™ | Intel® Elkhart Lake processor | NXP® i.MX 8QuadMax |
| GPU | Mali™-400 MP2 | Intel® UHD Graphics | SoC integrated |
| System Memory | DDR4 4GB, 64-bit, onboard | 1 x DDR4 SO-DIMM slot, up to 32GB | 4GB LPDDR4 onboard |
| Serial | 1 x COM for RS-232 | Option | 2 x RS-232/422/485 |
| Display | 1 x DisplayPort 1.4 | 1 x HDMI | 1 x HDMI |
| Ethernet | 1 x 10/100/1000 Mbps | 2 x 10/100/1000 Mbps | 2 x 10/100/1000 Mbps Ethernet |
| USB | 2 x USB 3.0 | 1 x USB 3.2 Gen1 1 x USB 2.0 | 2 x USB 3.0 |
| Expansion Interface | 1x M.2 B-Key 3052 for 5G 1x SIM socket | 1 x M.2 Key E 2230 for WiFi/Bluetooth 1 x M.2 Key B 3052 for 5G 1 x for RS-232/485 1 x SIM slot | 2 x Full-size PCI Express Mini Card slot 1 x M.2 Key B 3052 slot 1 x SIM slot |
| Storage | eMMC 16GB 1 x M.2 Key B 2242 SSD slot (SATA3) | 1 x M.2 Key B 2242 SSD slot (SATA3) | Onboard 16GB eMMC 1 x M.2 Key M 2280 SATA SSD slot 1 x Micro SD slot |
| Watchdog Timer | TBD | TBD | Dual watchdog timer |
| Power Supply | 12 to 24 VDC | 12 to 24 VDC | 12 to 24 VDC |
| Operating Temperature | -30°C to +75°C (-22°F to +167°F) | -10°C to +70°C (+14°F to +158°F) (H) -10°C to +60°C (+14°F to +140°F) (S) | -30°C to +75°C (-22°F to +167°F) |
| Mounting | Wall mount kit | Wall mount | Wall mount kit |
| Dimensions (W x D x H) | 150.0 x 111.0 x 65.6 mm (5.91" x 4.37" x 2.58") | 150 x 111 x 71.7 mm (H) (5.91" x 4.37" x 2.82") 150 x 111 x 49.4 mm (S) (5.91" x 4.37" x 1.94") | 150.0 x 111.0 x 65.6 mm (5.91" x 4.37" x 2.58") |
| Weight (net/gross) | 1.5 kg (3.32 lb) | 1.5 kg (3.32 lb) (H) 1.0 kg (2.20 lb) (S) | 1.5 kg (3.32 lb) |
| Certifications | CE, FCC Class A | CE, FCC Class A | CE, FCC Class A |
| EOS Support | Linux | Linux | Linux |

AIE900A-A0 NEW

Fanless Edge AI System with NVIDIA® Jetson AGX Orin™, 1 HDMI, 2 2.5GbE, 8 PoE, 6 USB, 8-CH DI/DO, and 2 COM/CAN for 5G and Robotics Applications



Features

- NVIDIA® Jetson AGX Orin™, 1792-core NVIDIA Ampere™ GPU
- 1 M.2 Key B slot for 5G/LTE, 1 M.2 Key E slot for Wi-Fi 6(E)
- 24 VDC with ignition power control
- Supports eight PoE for IP cameras and LiDAR connectivity
- -30°C to +50°C operating temperature range
- Supports device management and optional OTA deployment powered by Allxon

NVIDIA® Jetson AGX Orin™ will be available until 2028*
The official end of life notice will be sent at least 8 months before the last shipment.



Specifications

| | |
|---------------------|--|
| Standard Color | Silver |
| Construction | Aluminum extrusion and heavy-duty steel, IP40 |
| AI Accelerator | NVIDIA® Jetson AGX Orin™ |
| CPU | 8-core Arm® Cortex®-A78AE v8.2 64-bit CPU 3MB L2 + 6MB L3 |
| GPU | 1792-core NVIDIA Ampere™ GPU with 56 Tensor Cores |
| System Memory | 32GB 256-bit LPDDR5 204.8GB/s |
| Carrier Board | PSB906 |
| System I/O Outle | 1 x Lockable HDMI 2.0 with 4K2K supported 2 x 10/100/1000/2500 Mbps Ethernet (Intel® i226) 8 x 10/100 Mbps PoE (up to 60W) 2 x DB9 for RS-232/422/485/CAN 4 x USB 3.2 Gen2 2 x USB 2.0 1 x 8-CH DI/DO 1 x Remote switch, 1 x Reset button, 1 x Power button 1 x Micro USB & 1 x Recovery switch (for image update) 1 x 24 VDC power input connector 5 x SMA-type antenna opening |
| Watchdog Timer | Built-in AGX Orin |
| Storage | Onboard 64GB eMMC (via Jetson AGX Orin™) 1 x M.2 Key M 2280 with PCIe x4 NVMe SSD slot 1 x Micro SD slot *The bootable device is supported by eMMC only |
| Expansion Interface | 1 x MIPI CSI-2 connector 1 x M.2 Key E 2230 slot for Wi-Fi 6(E) 1 x M.2 Key B 3052/3050/3042 slot for 5G/LTE 1 x Nano SIM slot |
| System Indicator | 1 x Green LED for system power-on 1 x Green LED for M.2 storage 2 x Green LED for LAN status 8 x Green LED for PoE status |
| Power Supply | 24 VDC with ignition power control |

Specifications

| | |
|-----------------------|--|
| Operating Temperature | -30°C to +50°C (-22°F to +122°F) |
| Humidity | 10%- 95%, non-condensing |
| Vibration Endurance | 3 Grms with M.2 (5 to 500Hz, X, Y, Z directions) |
| Dimensions | 239 mm (9.41") (W) x 185.3 mm (7.3") (D) x 79.4 mm (3.13") (H) |
| Weight (net/gross) | TBD |
| Certifications | CE, FCC Class A |
| OS Support | Linux Ubuntu 20.04 or later |

Packing List

1 x Terminal block connector
1 x Screw pack
4 x Foot pad
1 x M.2 SSD thermal kit
1 x 5G module thermal kit

Power Protection

DC Adapter

OVP (over voltage protection)
OCP (over current protection)
UVP (under voltage protection)
Reserve protection

Ordering Information

Standard

| | |
|-----------------|---|
| AIE900A-AO-2L8P | Fanless edge AI system with NVIDIA® Jetson AGX Orin™, 1 HDMI, 2 2.5GbE, 8 PoE, 6 USB, 8-CH DI/DO, and 2 COM/CAN |
|-----------------|---|

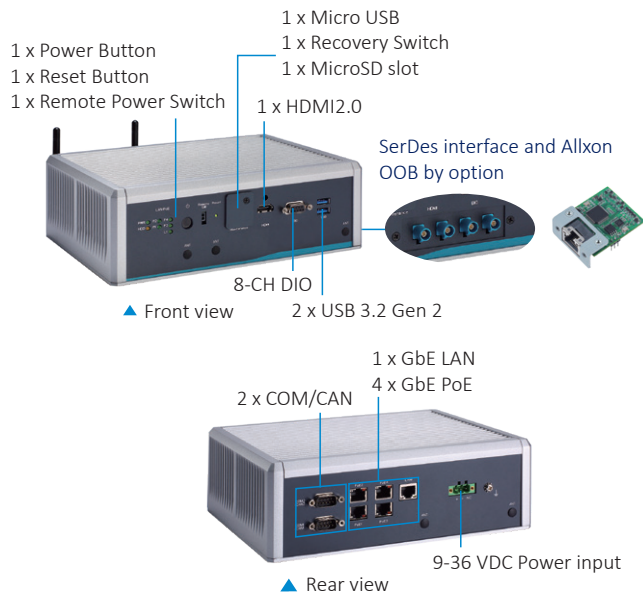
Optional

Wall mount kit
DIN-rail kit
VESA mount kit
M.2 NVMe SSD 128GB or above
24V/230W adapter
LTE module kit
Wi-Fi module kit
5G module kit
Power cord
External fan kit

* Specifications and certifications may vary based on different requirements.

AIE900-XNX

Fanless Edge AI System with NVIDIA® Jetson Xavier™ NX, 1 HDMI, 1 GbE LAN, 4 GbE PoE, 8-CH DI/DO, and 2 COM/CAN for 5G and AMR Applications



Features

- NVIDIA® Jetson Xavier™ NX w/ 384-core NVIDIA Volta™ GPU
- 1 M.2 Key B slot for 5G
- Wide power input range of 9 to 36 VDC (ignition by option)
- Supports four PoE for GigE cameras and LiDAR connectivity
- -30°C to +60°C operating temperature range
- Supports device management, and optional out-of-band service powered by Allxon
- Optional SerDes FPD-LINK III

NVIDIA® Jetson Xavier™ NX will be available until 2026*

The official end of life notice will be sent at least 8 months before the last shipment.



Specifications

| | |
|---------------------|--|
| Standard Color | Silver |
| Construction | Aluminum extrusion and heavy-duty steel, I40 |
| AI Accelerator | NVIDIA® Jetson Xavier™ NX |
| CPU | 6-core NVIDIA Carmel ARM® v8.2 64-bit CPU 6 MB L2 + 4 MB L3 |
| GPU | 384-core NVIDIA Volta™ GPU with 48 Tensor Cores |
| System Memory | 8GB 128-bit LPDDR4x onboard |
| Carrier Board | PSB905 |
| System I/O Outlet | 1 x Lockable HDMI 2.0 with 4K2K supported 1 x 10/100/1000 Mbps Ethernet (via Jetson Xavier™ NX) 4 x 10/100/1000 Mbps PoE (Intel® i210-IT; max. up to 30W) 2 x DB9 for RS-232/422/485/CAN (selected by jumper setting) 2 x USB 3.2 Gen2 1 x 8-CH DI/DO 1 x Remote switch and reset button and 1 x power button 1 x Micro USB and 1 x recovery switch (for image update) 1 x 9 to 36 VDC power input connector 5 x SMA-type antenna opening |
| Watchdog Timer | Dual watchdog timer |
| Storage | Onboard 16GB eMMC (via Jetson Xavier™ NX) 1 x M.2 Key M 2280 with PCIe x4 NVMe SSD slot 1 x Micro SD slot *The bootable device is supported by eMMC only |
| Expansion Interface | 1 x MIPI CSI-2 connector (4 x FPD-Link III connector by option) 1 x Full-size PCI Express Mini Card slot (USB + PCI Express signal) 1 x M.2 Key B 3050/3042 slot 1 x SIM slot |
| System Indicator | 1 x Green LED for system power-on 1 x Yellow LED for M.2 storage 1 x Green LED for LAN status 4 x Green LED for GbE PoE status |
| Power Supply | 9 to 36 VDC (ignition power control by option) |

Specifications

| | |
|-----------------------|--|
| Operating Temperature | -30°C to +60°C (-22°F to +140°F) |
| Humidity | 10%- 95%, non-condensing |
| Vibration Endurance | 3 Grms with M.2 (5 to 500Hz, X, Y, Z directions) |
| Dimensions | 239 mm (9.41") (W) x 185.3 mm (7.3") (D) x 79.4 mm (3.13") (H) |
| Weight (net/gross) | 2.8 kg (6.17 lb)/3.45 kg (7.61 lb) |
| Certifications | CE, FCC Class A |
| OS Support | Linux Ubuntu 18.04 or later |

Packing List

1 x Terminal block connector
1 x Screw pack
4 x Foot pad
1 x M.2 SSD thermal kit
1 x 5G module thermal kit

Power Protection

DC Adapter

OVP (over voltage protection)
OCP (over current protection)
UVP (under voltage protection)
Reserve protection

Ordering Information

Standard

| | |
|-----------------|--|
| AIE900-XXN-1L4P | Fanless edge AI system with NVIDIA® Jetson Xavier™ NX SoM, 1 HDMI, 1 GbE LAN, 4 GbE PoE, 8-CH DI/DO, and 2 COM/CAN |
|-----------------|--|

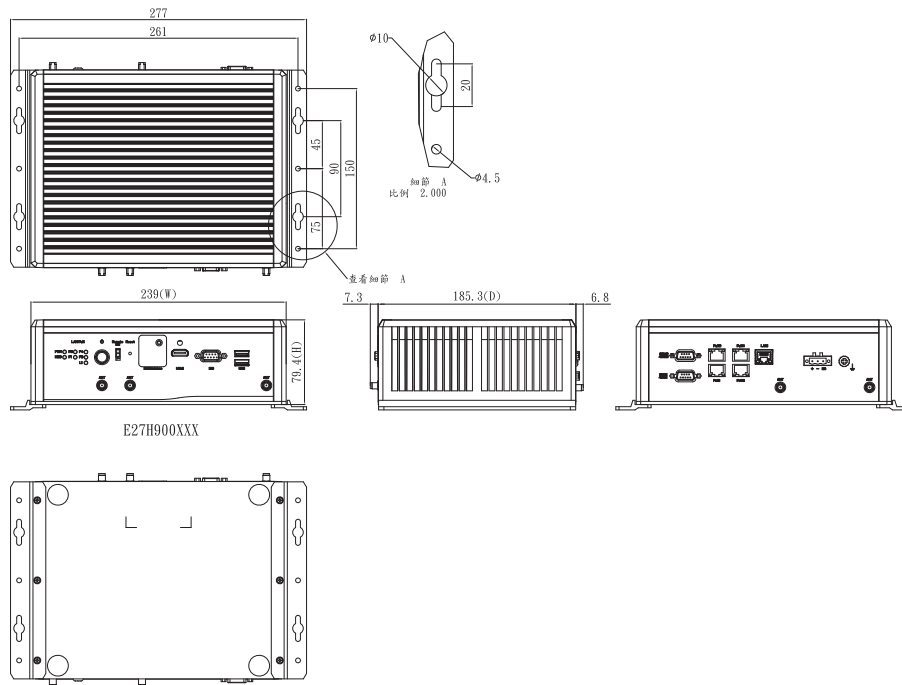
Optional

Wall mount kit
DIN-rail kit
VESA mount kit
M.2 NVMe SSD 128GB or above
2.5" SATA SSD 128GB or above
LTE module
Wi-Fi module
5G module
Power cord

| | |
|--------------|---|
| 50906D24000E | Adaptor 24V/120W, wire only, FSP120-AAAN3 |
|--------------|---|

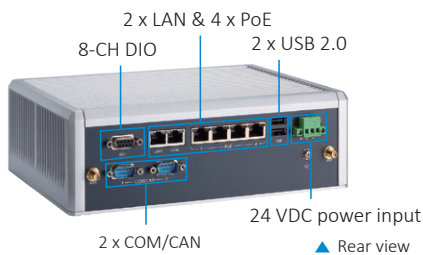
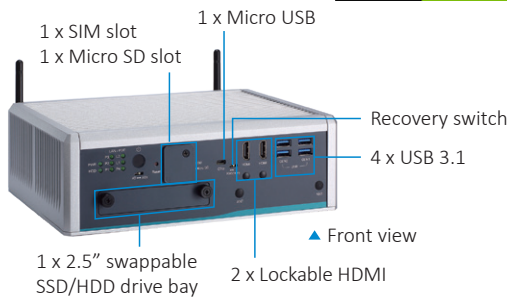
* Specifications and certifications may vary based on different requirements.

Dimensions



AIE900-902-FL

Fanless Edge AI System with NVIDIA® Jetson AGX Xavier™ SoM, 2 HDMI, 2 GbE LAN, 4 GbE PoE, 6 USB, 2 COM or 2 CAN, and 8-CH DI/DO



Features

- NVIDIA® Jetson AGX Xavier™ with 512-core Volta GPU with 64 Tensor cores GPU
- High AI computing performance for GPU-accelerated processing
- Ideal for intelligent edge applications, AGV, AMR and computer vision
- Supports M.2 NVMe PCIe x4 SSD slot
- Wide operating temperature from -30°C to +50°C
- JetPack supported

NVIDIA® Jetson AGX Xavier™ available through to 2025

The official end of life notice will be sent for at least 8 months before the last shipment.



Specifications

| | |
|---------------------|--|
| Standard Color | Silver |
| Construction | Aluminum extrusion and heavy-duty steel, IP40 |
| AI Accelerator | NVIDIA® Jetson AGX Xavier™ |
| CPU | 8-core Carmel ARM® v8.2 64-bit CPU, 8MB L2 + 4MB L3 |
| GPU | 512-Core NVIDIA Volta™ GPU with 64 Tensor Cores |
| System Memory | 32GB 256-Bit LPDDR4x onboard |
| Carrier Board | SBC87902 |
| System I/O Outlet | 2 x Lockable HDMI 2.0 with 4K2K supported 2 x 10/100/1000 Mbps Ethernet (Intel® i210-IT) 4 x 10/100/1000 Mbps PoE (Intel® i210-IT) 2 x USB 3.1 Gen2, 2 x USB 3.1 Gen1, 2 x USB 2.0 1 x Micro USB 1 x 8-CH DI/DO 2 x RS-232 default (or 2 x CAN by jumper settings) 1 x 24 VDC power input connector 4 x SMA-type antenna connector |
| Watchdog Timer | Built-in AGX Xavier |
| Storage | Onboard 32GB eMMC (via Jetson AGX Xavier™) 1 x M.2 Key M 2280 with PCIe x4 NVMe SSD slot 1 x Micro SD slot 1 x 2.5" SSD/HDD drive bay *The bootable device supported by eMMC only |
| Expansion Interface | 1 x Full-size PCI Express Mini Card slot (USB + PCI Express signal) 1 x M.2 Key E 2230 slot 1 x SIM slot |
| System Indicator | 1 x Green LED for system power-on 1 x Green LED for M.2 storage 2 x Green LED for LAN status 4 x Green LED for PoE status |
| Power Supply | 24 VDC |

Specifications

| | |
|-----------------------|--|
| Operating Temperature | -30°C to +50°C (-22°F to +122°F) |
| Humidity | 10%- 95%, non-condensing |
| Vibration Endurance | 3 Grms with M.2 SSD (5 to 500Hz, X, Y, Z directions) |
| Dimensions | 239 mm (9.41") (W) x 185.3 mm (7.3") (D) x 79.4 mm (3.13") (H) |
| Weight (net/gross) | 2.8 kg (6.17 lb)/3.45 kg (7.61 lb) |
| Certifications | CE, FCC Class A |
| OS Support | Linux Ubuntu 18.04 or later |

Packing List

1 x Terminal block connector
1 x Screw pack
4 x Foot pad
1 x M.2 SSD thermal kit

Power Protection

DC Adapter

OVP (over voltage protection)
OCP (over current protection)
UVP (under voltage protection)
Reserve protection

Ordering Information

Standard

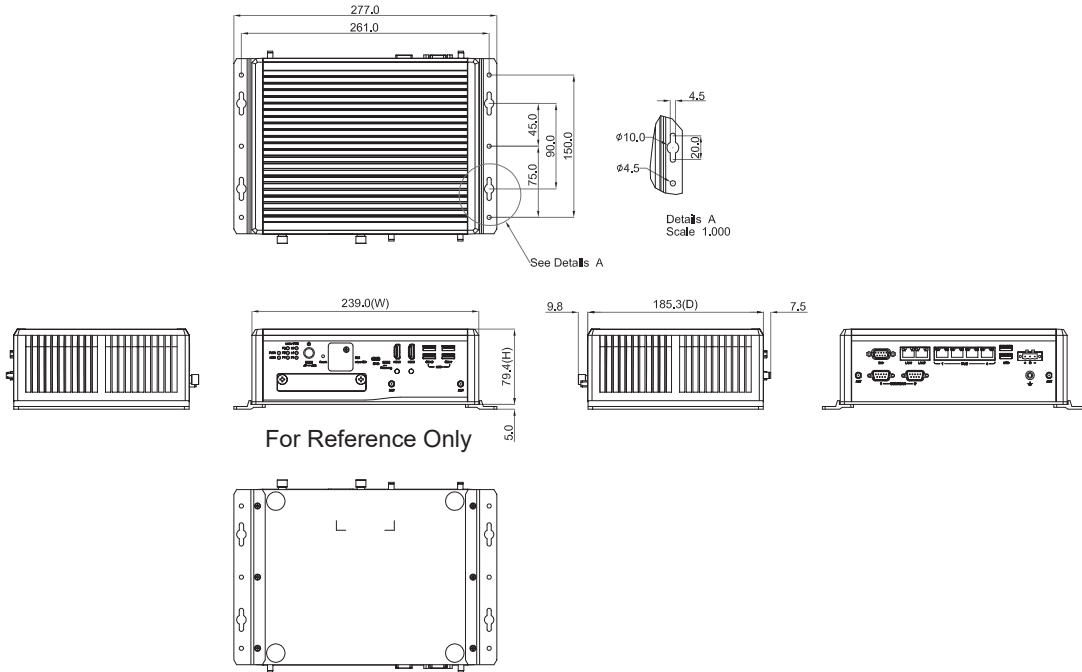
| | |
|--------------------|--|
| AIE900-902-FL | Fanless edge AI system with NVIDIA® Jetson AGX Xavier™ SoM, 2 HDMI, 2 GbE LAN, 4 GbE PoE, 6 USB, 2 COM or 2 CAN and 8-CH DI/DO |
| AIE900-902-FL-NVMe | Fanless edge AI system with NVIDIA® Jetson AGX Xavier™ SoM, 2 HDMI, 2 GbE LAN, 4 GbE PoE, 6 USB, 2 COM or 2 CAN and 8-CH DI/DO (NVMe SSD only) |

Optional

Wall mount kit
DIN-rail kit
VESA mount kit
M.2 NVMe SSD 128GB or above
2.5" SATA SSD 128GB or above
LTE module kit
Wi-Fi module kit
24V/230W adapter
Power cord

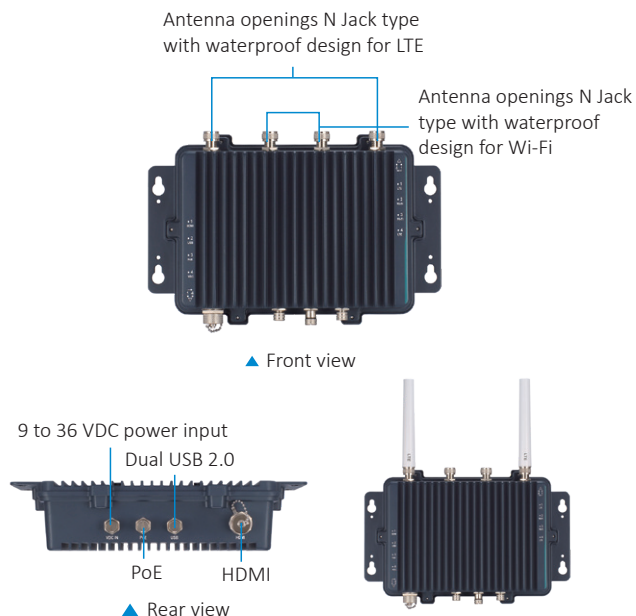
* Specifications and certifications may vary based on different requirements.

Dimensions



AIE800-904-FL-DC NEW

Rugged IP67-rated Fanless Edge AI System with NVIDIA® Jetson Xavier™ NX, HDMI, 1 GbE PoE, 2 USB, and 9 to 36 VDC



Features

- IP67-rated design for outdoor edge AI applications
- NVIDIA® Jetson Xavier™ NX with 384-core NVIDIA Volta™ GPU with 48 Tensor Cores
- High AI computing performance for GPU accelerated processing
- -30°C to +50°C operating temperature range
- 9 to 36 VDC wide range power input
- Features M12 lockable I/Os
- 1 IEEE 802.3af Gigabit PoE (15W)

NVIDIA® Jetson Xavier™ NX will be available until 2026*
The official end of life notice will be sent at least 8 months before the last shipment.



Specifications

| | |
|-----------------------|---|
| Standard Color | Black |
| Construction | Aluminum die-casting and heavy-duty steel, IP67 |
| AI Accelerator | NVIDIA® Jetson Xavier™ NX |
| CPU | 6-core NVIDIA Carmel ARM® v8.2 64-bit CPU 6 MB L2 + 4 MB L3 |
| GPU | 384-core NVIDIA Volta™ GPU with 48 Tensor Cores |
| System Memory | 8GB 128-bit LPDDR4x onboard |
| System I/O Outlet | 1 x Dual USB 2.0 (M12) 1 x Gigabit PoE (IEEE 802.3af; 15W) (M12) 1 x C3 HDMI with FHD supported 1 x 9 to 36VDC power input (M12) 4 x N-jack antenna opening with water proof design |
| Watchdog Timer | Built-in Xavier NX |
| Storage | Onboard 16GB eMMC (via Jetson Xavier™ NX) 1 x M.2 Key B 2242 with PCIe x2 NVMe SSD slot *The bootable device is supported by eMMC only |
| Expansion Interface | 1 x Full-size PCI Express Mini Card slot (USB + PCI Express signal) 1 x SIM slot |
| Power Input | 9 to 36VDC |
| Operating Temperature | -30°C to +50°C (-22°F to +122°F) |
| Humidity | 10%- 95% , non-condensing |
| Vibration Endurance | 3 Grms with SSD (5 to 500Hz, X, Y, Z directions) |
| Dimensions | 366.83 mm (14.44") (W) x 235 mm (9.25") (D) x 83.8 mm (3.3") (H) |
| Weight (net/gross) | 4 kg (8.19 lb)/5.37 kg (11.84 lb) |
| Certifications | CE, FCC Class A |
| OS Support | Linux Ubuntu 18.04 or later |

Packing List

- 1 x Screws pack
- 1 x Thermal pad kit

Power Protection

DC Adapter

- OVP (over voltage protection)
- OCP (over current protection)
- SCP (short circuit protection)

Ordering Information

Standard

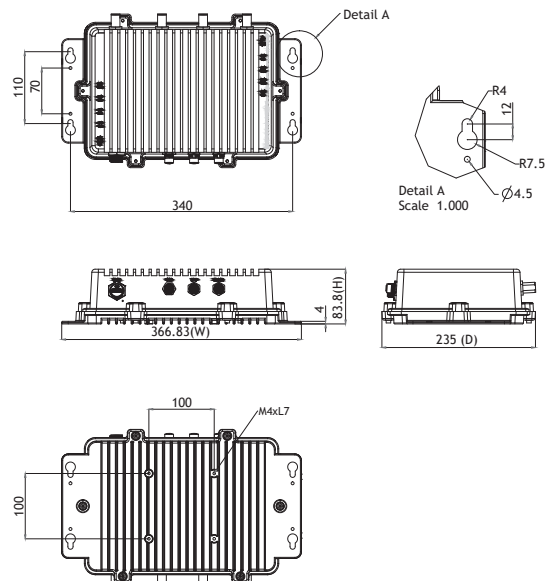
| | |
|------------------|--|
| AIE800-904-FL-DC | Rugged IP67-rated fanless edge AI system with NVIDIA® Jetson Xavier™ NX, 1 HDMI, 1 GbE PoE, 2 USB, and 9 to 36 VDC power input |
|------------------|--|

Optional

| | |
|--------------|------------------|
| M.2 NVMe SSD | 128GB or above |
| | Power cable |
| | USB 2.0 cable |
| | LAN/PoE cable |
| | HDMI cable |
| | Wi-Fi module kit |
| | LTE module kit |

* Specifications and certifications may vary based on different requirements.

Dimensions



AIE800-904-FL

Rugged IP67-rated Fanless Edge AI System with NVIDIA® Jetson Xavier™ NX, HDMI, 1 GbE PoE, USB, and 100 to 240 VAC



Features

- IP67-rated design for outdoor edge AI applications
- NVIDIA® Jetson Xavier™ NX, 384-core NVIDIA Volta™ GPU
- High AI computing performance for GPU accelerated processing
- -30°C to +50°C operating temperature range
- 100 to 240 VAC wide range power input with 10kV surge protection
- 4 N-jack antenna openings with water-proof design
- Features M12 lockable I/Os
- 1 IEEE 802.3at GbE PoE (30W)

NVIDIA® Jetson Xavier™ NX will be available until 2026*
The official end of life notice will be sent at least 8 months before the last shipment.



Specifications

| | |
|-----------------------|---|
| Standard Color | Black |
| Construction | Aluminum die-casting and heavy-duty steel, IP67 |
| AI Accelerator | NVIDIA® Jetson Xavier™ NX |
| CPU | 6-core NVIDIA Carmel ARM® v8.2 64-bit CPU 6 MB L2 + 4 MB L3 |
| GPU | 384-core NVIDIA Volta™ GPU with 48 Tensor Cores |
| System Memory | 8GB 128-bit LPDDR4x onboard |
| System I/O Outlet | 1 x C3 USB 2.0 1 x M12 X-Code GbE PoE (IEEE 802.3at) (30W) 1 x C3 HDMI with FHD supported 1 x M12 S-Code 3-pos AC in power input 4 x N-jack antenna opening with water proof design |
| Watchdog Timer | Built-in Xavier NX |
| Storage | Onboard 16GB eMMC (via Jetson Xavier™ NX) 1 x M.2 Key B 2242 with PCIe x2 NVMe SSD slot *The bootable device is supported by eMMC only |
| Expansion Interface | 1 x Full-size PCI Express Mini Card slot (USB + PCI Express signal) 1 x SIM slot |
| Power Input | 100 to 240 VAC with 10kV SPD |
| Operating Temperature | -30°C to +50°C (-22°F to +122°F) |
| Humidity | 10% - 95% , non-condensing |
| Vibration Endurance | 3 Grms with SSD (5 to 500Hz, X, Y, Z directions) |
| Dimensions | 366.83 mm (14.44") (W) x 235 mm (9.25") (D) x 83.8 mm (3.3") (H) |
| Weight (net/gross) | 4.13 kg (9.11 lb)/5.5 kg (12.13 lb) |
| Certifications | CE, FCC Class A |
| OS Support | Linux Ubuntu 18.04 or later |

Packing List

- 1 x Screws pack
- 1 x Thermal pad kit

Power Protection

DC Adapter

- OVP (over voltage protection)
- OCP (over current protection)
- SCP (short circuit protection)
- SPD (surge protection device)

Ordering Information

Standard

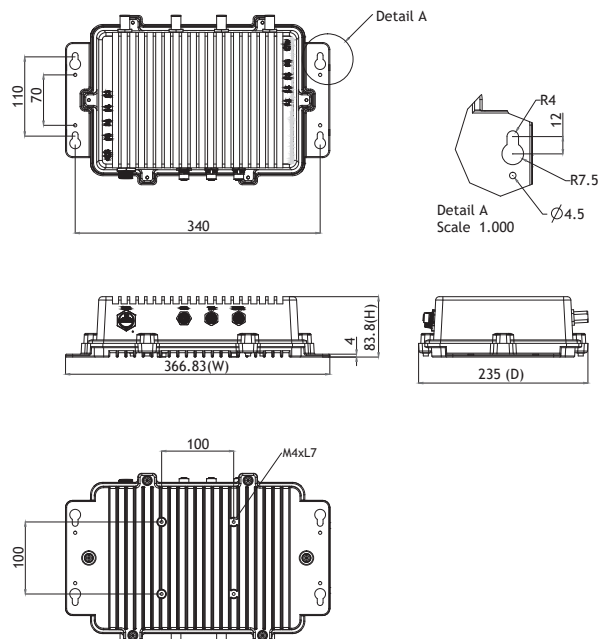
AIE800-904-FL Rugged IP67-rated fanless edge AI system with NVIDIA® Jetson Xavier™ NX, 1 HDMI, 1 GbE PoE, 1 USB, and 100 to 240 VAC power input

Optional

| | |
|--------------|--|
| M.2 NVMe SSD | 128GB or above Adapter |
| 594B8152710E | LAN/PoE cable, 180 cm |
| 594K2303810E | HDMI cable, 100 cm |
| 594K2302810E | USB cable, 200 cm |
| 594K2300A10E | AC power cord, wire only, 180 cm Wi-Fi module kit LTE module kit |

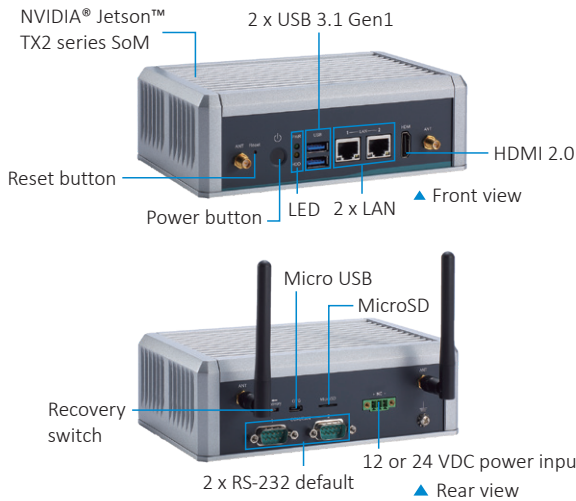
* Specifications and certifications may vary based on different requirements.

Dimensions



AIE500-901-FL

Fanless Edge AI System with NVIDIA® Jetson™ TX2 Series, HDMI, 2 GbE LAN, 2 USB, 2 COM or 2 CAN, and 12 or 24 VDC



Features

- NNVIDIA® Jetson™ TX2 with 256-core NVIDIA Pascal™ GPU
- High-performance AI computing for GPU-accelerated processing
- Ideal for intelligent edge applications, machine learning, and computer vision
- Supports M.2 PCIe, SATA SSD, and MicroSD slots
- Supports 2 USB and 2 COM or 2 CAN
- Wide operating temperature from -30°C to +60°C
- Supports JetPack

NVIDIA® Jetson™ TX2 will be available until 2025*
The official end of life notice will be sent at least 8 months before the last shipment.



Specifications

| | |
|---------------------|--|
| Standard Color | Silver |
| Construction | Aluminum extrusion and heavy-duty steel, IP40 |
| AI Accelerator | NVIDIA® Jetson™ TX2 |
| CPU | HMP Dual Denver 2/2 MB L2 + Quad ARM® A57/2 MB L2 |
| GPU | 256-core NVIDIA Pascal™ GPU |
| System Memory | 8GB 128-bit LPDDR4@1866 MHz onboard |
| Carrier Board | SBC87901 |
| System I/O Outlet | 1 x HDMI 2.0 with 4K2K supported 2 x 10/100/1000 Mbps Ethernet (NVIDIA® + Intel® i210-IT) 2 x USB 3.1 Gen1 1 x Micro USB 2 x RS-232 default (or 2 x CAN by jumper settings) 1 x Recovery switch 1 x Reset button 1 x Power button 1 x 12 or 24 VDC power input connector 4 x SMA-type antenna connector |
| Watchdog Timer | Built-in TX2 |
| Storage | Onboard 32GB eMMC (via Jetson™ TX2 8GB) 1 x M.2 Key M 2280 with PCIe x1 and SATA SSD slot 1 x Micro SD slot *The bootable device is supported by eMMC only |
| Wireless Module | 802.11ac WLAN, Bluetooth onboard (TX2 8GB only) |
| Expansion Interface | 1 x Full-size PCI Express Mini Card slot (USB + PCI Express signal) *Either Mini PCIe connector or Micro USB (select by recovery switch) 1 x SIM slot |
| System Indicator | 1 x Green LED for system power-on 1 x Yellow LED for M.2 storage |
| Power Supply | 12 or 24 VDC |

Specifications

| | |
|-----------------------|---|
| Operating Temperature | -30°C to +60°C (-22°F to +140°F) |
| Humidity | 10%- 95%, non-condensing |
| Vibration Endurance | 3 Grms with M.2 (5 to 500Hz, X, Y, Z directions) |
| Dimensions | 171 mm (6.73") (W) x 110 mm (4.33") (D) x 57 mm (2.24") (H) |
| Weight (net/gross) | 1.2 kg (2.64 lb)/1.7 kg (3.75 lb) |
| Certifications | CE, FCC Class A |
| OS Support | Linux Ubuntu 18.04 |

Packing List

1 x Terminal block connector
1 x Screw pack
4 x Foot pad
2 x Antennas for WLAN (TX2 8GB only)

Power Protection

DC Adapter

OVP (over voltage protection)
OCP (over current protection)

Ordering Information

Standard

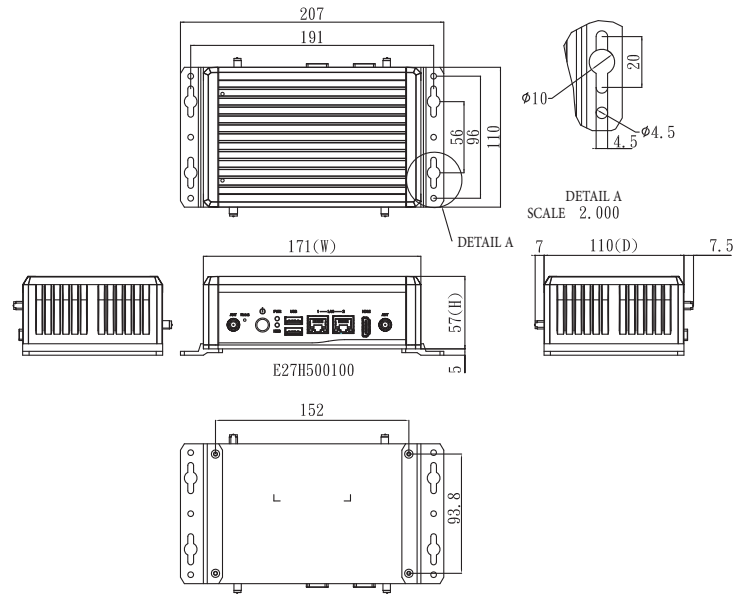
| | |
|---------------|--|
| AIE500-901-FL | Fanless edge AI system with NVIDIA® Jetson™ TX2 series SoM, 1 HDMI 2.0, 2 GbE LAN, 2 USB, 2 COM or 2 CAN, and 12 or 24 VDC |
|---------------|--|

Optional

| | |
|-----------------------------|------------------|
| 8817H5003A0E | Wall mount kit |
| 8817H5001A0E | VESA arm kit |
| 8817H5002A0E | DIN-rail kit |
| 50956A24040E | 12V, 36W adapter |
| M.2 NVMe SSD 128GB or above | |
| M.2 SATA SSD 128GB or above | |
| LTE module | |
| power cord | |

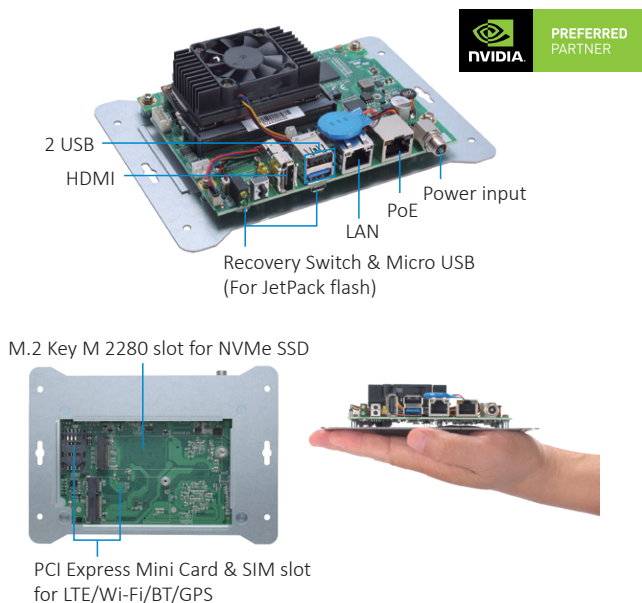
* Specifications and certifications may vary based on different requirements.

Dimensions



AIE110-XNX NEW

Edge AI Developer Kit with NVIDIA® Jetson Xavier™ NX SoM, 1 HDMI, 1 GbE LAN, 1 GbE PoE, and 2 USB



Features

- NVIDIA® Jetson Xavier™ NX, 384-core NVIDIA Volta™ GPU
- 1 USB 2.0, 1 USB 3.2 Gen2, 1 GbE
- Supports one 15W GbE PoE for camera
- 1 M.2 M-Key NVMe SSD slot and 1 Micro SD slot for extra storage
- 1 Mini PCIe slot for Wi-Fi / Bluetooth / LTE / GPS
- JetPack supported
- Supports 24/7 secure remote monitoring, control, and OTA deployment empowered by Allxon

NVIDIA® Jetson Xavier™ NX available through to 2026*
The official end of life notice will be sent for at least 8 months before the last shipment.



Specifications

| | |
|-----------------------|---|
| AI Accelerator | NVIDIA® Jetson Xavier™ NX |
| CPU | 6-core NVIDIA Carmel ARM® v8.2 64-bit CPU 6 MB L2 + 4 MB L3 |
| GPU | 384-core NVIDIA Volta™ GPU with 48 Tensor Cores |
| System Memory | 8GB 128-bit LPDDR4x onboard |
| Carrier Board | SBC87903 |
| System I/O Outlet | 1 x HDMI 2.0 with 4K2K supported 1 x 10/100/1000 Mbps Ethernet (via Jetson Xavier™ NX) 1 x 10/100/1000 Mbps PoE (Intel® i210-IT; max. up to 15W) 1 x USB 3.2 Gen2, 1 x USB 2.0 1 x 8CH DIO (pin header) 1 x Micro USB 1 x Recovery switch 1 x Reset button 1 x Power button 1 x 12 VDC power input connector |
| Watchdog Timer | Built-in Xavier NX |
| Storage | Onboard 16GB eMMC (via Jetson Xavier™ NX) 1 x M.2 Key M 2280 with PCIe x4 NVMe SSD slot 1 x Micro SD slot *The bootable device supported by eMMC only |
| Expansion Interface | 1 x Full-size PCI Express Mini Card slot (USB + PCI Express signal) 1 x SIM slot |
| System Indicator | 1 x Green LED for system power-on 1 x Yellow LED for M.2 storage |
| Power Supply | 12 VDC screw type |
| Operating Temperature | -10°C to +60°C (-14°F to +140°F) |
| Humidity | 10%- 95%, non-condensing |
| Vibration Endurance | 3 Grms with M.2 (5 to 500Hz, X, Y, Z directions) |
| Dimensions | 165 mm (6.49") (W) x 117 mm (4.60") (D) x 37.7 mm (1.48") (H) |
| Weight (net/gross) | 0.3 kg (0.66 lb)/ 0.9 kg (1.98 lb) |
| Certifications | CE, FCC Class A |
| OS Support | Linux Ubuntu 18.04 or later |

Remote Management Enrollment

Enroll in 24/7 secure service to get full feature of remote device management on one centralized cloud portal – Allxon Portal

*Enrollment Page: https://allxon.com/jetson/device_enroll/

Packing List

3 x Thermal pad for M.2 SSD

1 x DIO cable

Power Protection

DC Adapter

OVP (over voltage protection)

OCP (over current protection)

UVP (under voltage protection)

SCP (short circuit protection)

Ordering Information

Standard

| | |
|------------|--|
| AIE110-XXN | Edge AI Developer Kit with NVIDIA® Jetson Xavier™ NX SoM, 1 HDMI, 1 GbE LAN, 1 GbE PoE and 2 USB |
|------------|--|

Optional

| |
|-----------------------------|
| M.2 NVMe SSD 128GB or above |
|-----------------------------|

| |
|------------|
| LTE module |
|------------|

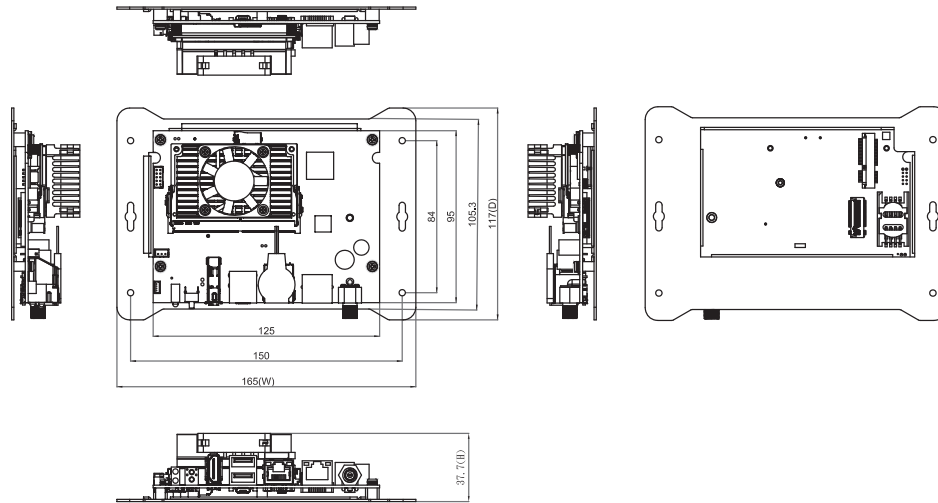
| |
|--------------|
| Wi-Fi module |
|--------------|

| |
|------------|
| Power cord |
|------------|

| | |
|--------------|-----------------|
| 50966124050E | 12V/60W adapter |
|--------------|-----------------|

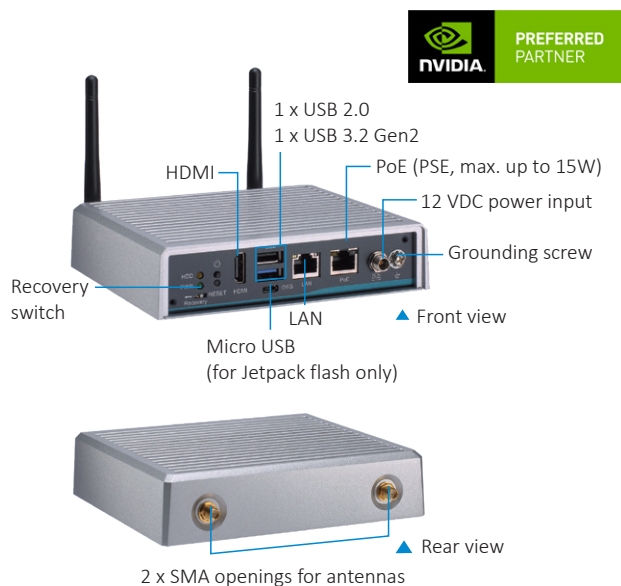
* Specifications and certifications may vary based on different requirements.

Dimensions



AIE100A-ONX NEW

Fanless Edge AI System with NVIDIA® Jetson Orin™ NX SoM, 1 HDMI, 1 GbE LAN, 1 GbE PoE, and 2 USB, Remote Management Service Empowered by Allxon



Features

- NVIDIA® Jetson Orin™ NX, 1024-core NVIDIA Ampere GPU
- High AI computing performance for GPU-accelerated processing
- Ideal for edge AI smart city applications
- Supports one 15W GbE PoE for camera
- Wide operating temperature from -30°C to +50°C
- JetPack supported
- Supports 24/7 secure remote monitoring, control, and OTA deployment empowered by Allxon

NVIDIA® Jetson Orin™ NX available through to 2028*
The official end of life notice will be sent for at least 8 months before the last shipment.



Specifications

| | |
|---------------------|---|
| Standard Color | Silver |
| Construction | Aluminum extrusion and heavy-duty steel, IP40 (IP42 by optional cover kit) |
| AI Accelerator | NVIDIA® Jetson Orin™ NX |
| CPU | 8GB: 6-core NVIDIA Arm® Cortex A78AE v8.2 64-bit CPU 1.5MB L2 + 4MB L3 16GB: 8-core NVIDIA Arm® Cortex A78AE v8.2 64-bit CPU 2MB L2 + 4MB L3 |
| GPU | 1024-core NVIDIA Ampere GPU with 32 Tensor Cores |
| System Memory | 8GB: 8GB 128-bit LPDDR5 onboard 16GB: 16GB 128-bit LPDDR5 onboard |
| Carrier Board | SBC87903 |
| System I/O Outlet | 1 x HDMI 2.0 with 4K2K supported 1 x 10/100/1000 Mbps Ethernet (via Jetson Orin™ NX) 1 x 10/100/1000 Mbps PoE (Intel® i210-IT; max. up to 15W) 1 x USB 3.2 Gen2, 1 x USB 2.0 1 x Micro USB for image flash 1 x Recovery switch 1 x Reset button 1 x Power button 1 x 12 VDC power input connector 2 x SMA-type antenna connector |
| Watchdog Timer | Built-in Orin NX |
| Storage | 1 x M.2 Key M 2280 with PCIe x4 NVMe SSD slot *The bootable device supported by NVMe only |
| Expansion Interface | 1 x Full-size PCI Express Mini Card slot (USB + PCI Express signal) 1 x SIM slot |
| System Indicator | 1 x Green LED for system power-on 1 x Yellow LED for M.2 storage |
| Power Supply | 12 VDC screw type |

Specifications

| | |
|-----------------------|---|
| Operating Temperature | -30°C to +50°C (-22°F to +122°F) |
| Humidity | 10%- 95%, non-condensing |
| Vibration Endurance | 3 Grms with M.2 (5 to 500Hz, X, Y, Z directions) |
| Dimensions | 148.6 mm (5.85") (W) x 129.8 mm (5.11") (D) x 34.6 mm (1.36") (H) |
| Weight (net/gross) | 1 kg (2.20 lb)/1.6 kg (3.52 lb) |
| Certifications | CE, FCC Class A |
| OS Support | Linux Ubuntu 20.04 or later |

Remote Management Enrollment

Enroll in 24/7 secure service to get full feature of remote device management on one centralized cloud portal – Allxon Portal

*Enrollment Page: https://allxon.com/jetson/device_enroll/

Packing List

1 x Screw pack

4 x Foot pad

Power Protection

DC Adapter

OVP (over voltage protection)

OCP (over current protection)

UVP (under voltage protection)

SCP (short circuit protection)

Ordering Information

Standard

| | |
|------------------|--|
| AIE100A-ONX-8GB | Fanless edge AI system with NVIDIA® Jetson Orin™ NX 8GB SoM, 1 HDMI, 1 GbE LAN, 1 GbE PoE and 2 USB |
| AIE100A-ONX-16GB | Fanless edge AI system with NVIDIA® Jetson Orin™ NX 16GB SoM, 1 HDMI, 1 GbE LAN, 1 GbE PoE and 2 USB |

Optional

| | |
|--------------|----------------|
| 8817H1003A0E | Wall mount kit |
| 8817H1001A0E | DIN-rail kit |
| 8817H1006A0E | VESA mount kit |
| 8817H1002A0E | IP42 cover kit |

M.2 NVMe SSD 128GB or above

LTE module

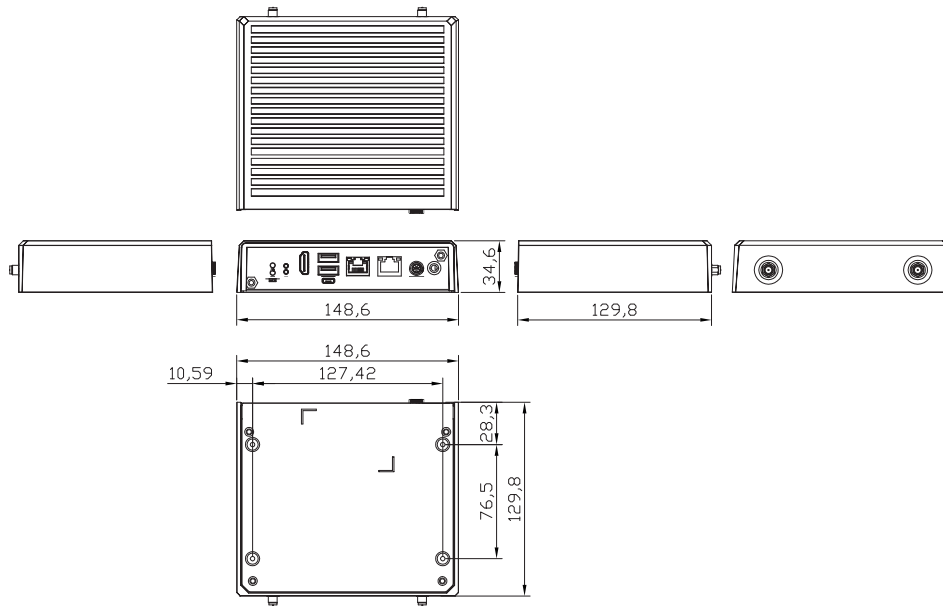
Wi-Fi module

Power cord

| | |
|--------------|-----------------|
| 50966124050E | 12V/60W adapter |
|--------------|-----------------|

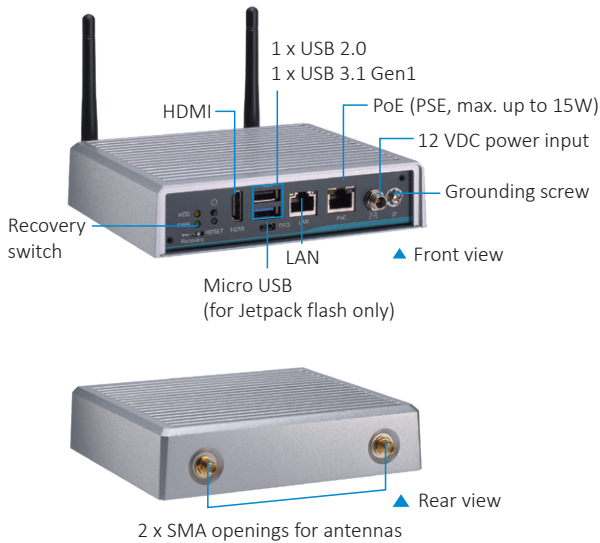
* Specifications and certifications may vary based on different requirements.

Dimensions



AIE100-T2NX

Fanless Edge AI System with NVIDIA® Jetson™ TX2 NX SoM, 1 HDMI, 1 GbE LAN, 1 GbE PoE, and 2 USB, Remote Management Service Empowered by Allxon



Features

- NVIDIA® Jetson™ TX2 NX, 256-core NVIDIA Pascal™ GPU
- High AI computing performance for GPU-accelerated processing
- Ideal for edge AI smart city applications
- Supports one 15W GbE PoE for camera
- Wide operating temperature from -30°C to +60°C
- JetPack supported
- Supports 24/7 secure remote monitoring, control, and OTA deployment empowered by Allxon

NVIDIA® Jetson™ TX2 NX available through to 2026*
The official end of life notice will be sent for at least 8 months before the last shipment.



Specifications

| | |
|-----------------------|--|
| Standard Color | Silver |
| Construction | Aluminum extrusion and heavy-duty steel, IP40 (IP42 by optional cover kit) |
| AI Accelerator | NVIDIA® Jetson™ TX2 NX |
| CPU | Dual-Core NVIDIA Denver 2 64-Bit CPU and Quad-Core Arm® Cortex®-A57 MPCore processor |
| GPU | 256-core NVIDIA Pascal™ GPU |
| System Memory | 4GB 128-bit LPDDR4 51.2GB/s |
| Carrier Board | SBC87903 |
| System I/O Outlet | 1 x HDMI 2.0 with 4K2K supported 1 x 10/100/1000 Mbps Ethernet (via Jetson™ TX2 NX) 1 x 10/100/1000 Mbps PoE (Intel® i210-IT; max. up to 15W) 1 x USB 3.1 Gen1, 1 x USB 2.0 1 x Micro USB 1 x Recovery switch 1 x Reset button 1 x Power button 1 x 12 VDC power input connector 2 x SMA-type antenna connector |
| Watchdog Timer | Built-in TX2 NX |
| Storage | Onboard 16GB eMMC (via Jetson™ TX2 NX) 1 x M.2 Key M 2280 with PCIe x4 NVMe SSD slot 1 x Micro SD slot *The bootable device supported by eMMC only |
| Expansion Interface | 1 x Full-size PCI Express Mini Card slot (USB + PCI Express signal) 1 x SIM slot |
| System Indicator | 1 x Green LED for system power-on 1 x Yellow LED for M.2 storage |
| Power Supply | 12 VDC screw type |
| Operating Temperature | -30°C to +60°C (-22°F to +140°F) |
| Humidity | 10%- 95%, non-condensing |
| Vibration Endurance | 3 Grms with M.2 (5 to 500Hz, X, Y, Z directions) |

Specifications

| | |
|--------------------|---|
| Dimensions | 148.6 mm (5.85") (W) x 129.8 mm (5.11") (D) x 34.6 mm (1.36") (H) |
| Weight (net/gross) | 1 kg (2.20 lb)/1.6 kg (3.52 lb) |
| Certifications | CE, FCC Class A |
| OS Support | Linux Ubuntu 18.04 |

Remote Management Enrollment

Enroll in 24/7 secure service to get full feature of remote device management on one centralized cloud portal – Allxon Portal

*Enrollment Page: https://allxon.com/jetson/device_enroll/

Packing List

1 x Screw pack

4 x Foot pad

Power Protection

DC Adapter

OVP (over voltage protection)

OCP (over current protection)

UVP (under voltage protection)

SCP (short circuit protection)

Ordering Information

Standard

| | |
|-------------|--|
| AIE100-T2NX | Fanless edge AI system with NVIDIA® Jetson™ TX2 NX SoM, 1 HDMI, 1 GbE LAN, 1 GbE PoE and 2 USB |
|-------------|--|

Optional

| | |
|--------------|----------------|
| 8817H1003A0E | Wall mount kit |
|--------------|----------------|

| | |
|--------------|--------------|
| 8817H1001A0E | DIN-rail kit |
|--------------|--------------|

| | |
|--------------|----------------|
| 8817H1006A0E | VESA mount kit |
|--------------|----------------|

| | |
|--------------|----------------|
| 8817H1002A0E | IP42 cover kit |
|--------------|----------------|

| | |
|-----------------------------|--|
| M.2 NVMe SSD 128GB or above | |
|-----------------------------|--|

| | |
|------------|--|
| LTE module | |
|------------|--|

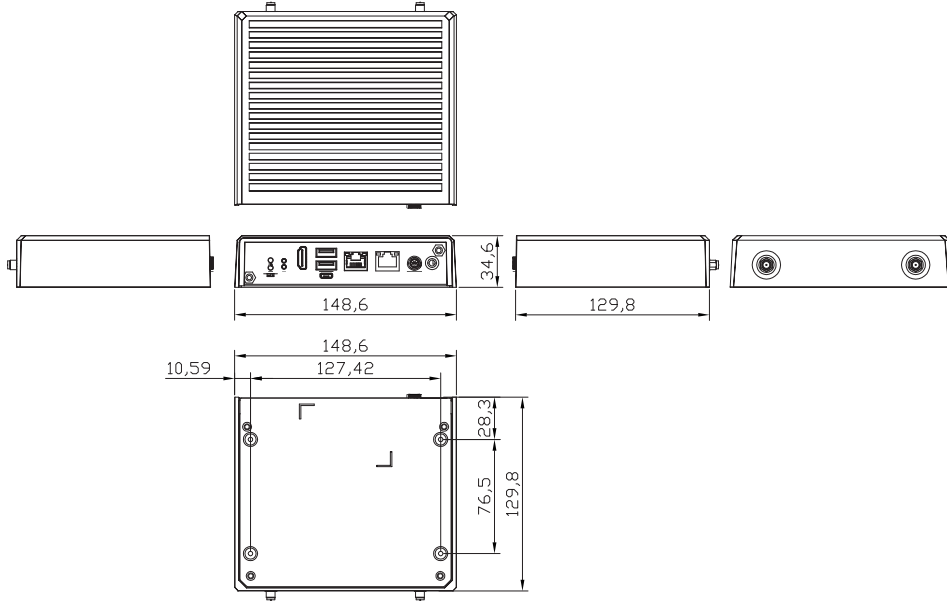
| | |
|--------------|--|
| Wi-Fi module | |
|--------------|--|

| | |
|------------|--|
| Power cord | |
|------------|--|

| | |
|--------------|-----------------|
| 50966124050E | 12V/60W adapter |
|--------------|-----------------|

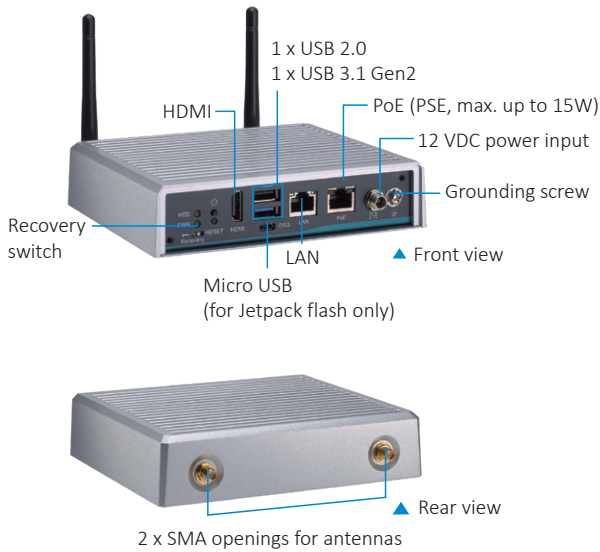
* Specifications and certifications may vary based on different requirements.

Dimensions



AIE100-903-FL-NX

Fanless Edge AI System with NVIDIA® Jetson Xavier™ NX SoM, 1 HDMI, 1 GbE LAN, 1 GbE PoE, and 2 USB, Remote Management Service Empowered by Allxon



Features

- NVIDIA® Jetson Xavier™ NX, 384-core NVIDIA Volta™ GPU
- High AI computing performance for GPU-accelerated processing
- Ideal for edge AI smart city applications
- Supports one 15W GbE PoE for camera
- Wide operating temperature from -30°C to +50°C
- JetPack supported
- Supports 24/7 secure remote monitoring, control, and OTA deployment empowered by Allxon

NVIDIA® Jetson Xavier™ NX available through to 2026*
The official end of life notice will be sent for at least 8 months before the last shipment.



Specifications

| | |
|-----------------------|---|
| Standard Color | Silver |
| Construction | Aluminum extrusion and heavy-duty steel, IP40 (IP42 by optional cover kit) |
| AI Accelerator | NVIDIA® Jetson Xavier™ NX |
| CPU | 6-core NVIDIA Carmel Arm®v8.2 64-bit CPU 6MB L2 + 4MB L3 |
| GPU | 384-core NVIDIA Volta™ GPU with 48 Tensor Cores |
| System Memory | 8GB 128-bit LPDDR4x onboard |
| Carrier Board | SBC87903 |
| System I/O Outlet | 1 x HDMI 2.0 with 4K2K supported 1 x 10/100/1000 Mbps Ethernet (via Jetson Xavier™ NX) 1 x 10/100/1000 Mbps PoE (Intel® i210-IT ;max. up to 15W) 1 x USB 3.1 Gen2, 1 x USB 2.0 1 x Micro USB for image flash 1 x Recovery switch 1 x Reset button 1 x Power button 1 x 12 VDC power input connector 2 x SMA-type antenna connector |
| Watchdog Timer | Built-in Xavier NX |
| Storage | Onboard 16GB eMMC (via Jetson Xavier™ NX) 1 x M.2 Key M 2280 with PCIe x4 NVMe SSD slot 1 x Micro SD slot *The bootable device supported by eMMC only |
| Expansion Interface | 1 x Full-size PCI Express Mini Card slot (USB + PCI Express signal) 1 x SIM slot |
| System Indicator | 1 x Green LED for system power-on 1 x Yellow LED for M.2 storage |
| Power Supply | 12 VDC screw type |
| Operating Temperature | -30°C to +50°C (-22°F to +122°F) |
| Humidity | 10%- 95%, non-condensing |
| Vibration Endurance | 3 Grms with M.2 (5 to 500Hz, X, Y, Z directions) |

Specifications

| | |
|--------------------|---|
| Dimensions | 148.6 mm (5.85") (W) x 129.8 mm (5.11") (D) x 34.6 mm (1.36") (H) |
| Weight (net/gross) | 1 kg (2.20lb)/1.6 kg (3.52lb) |
| Certifications | CE, FCC Class A |
| OS Support | Linux Ubuntu 18.04 or later |

Remote Management Enrollment

Enroll in 24/7 secure service to get full feature of remote device management on one centralized cloud portal – Allxon Portal

*Enrollment Page: https://allxon.com/jetson/device_enroll/

Packing List

1 x Screw pack
4 x Foot pad

Power Protection

DC Adapter

OVP (over voltage protection)
OCP (over current protection)
UVP (under voltage protection)
SCP (short circuit protection)

Ordering Information

Standard

| | |
|-----------------------|--|
| AIE100-903-FL-NX | Fanless edge AI system with NVIDIA® Jetson Xavier™ NX SoM, 1 HDMI, 1 GbE LAN, 1 GbE PoE and 2 USB |
| AIE100-903-FL-NX-16GB | Fanless edge AI system with NVIDIA® Jetson Xavier™ NX 16GB SoM, 1 HDMI, 1 GbE LAN, 1 GbE PoE and 2 USB |

Optional

| | |
|--------------|----------------|
| 8817H1003A0E | Wall mount kit |
| 8817H1001A0E | DIN-rail kit |
| 8817H1006A0E | VESA mount kit |
| 8817H1002A0E | IP42 cover kit |

M.2 NVMe SSD 128GB or above

LTE module

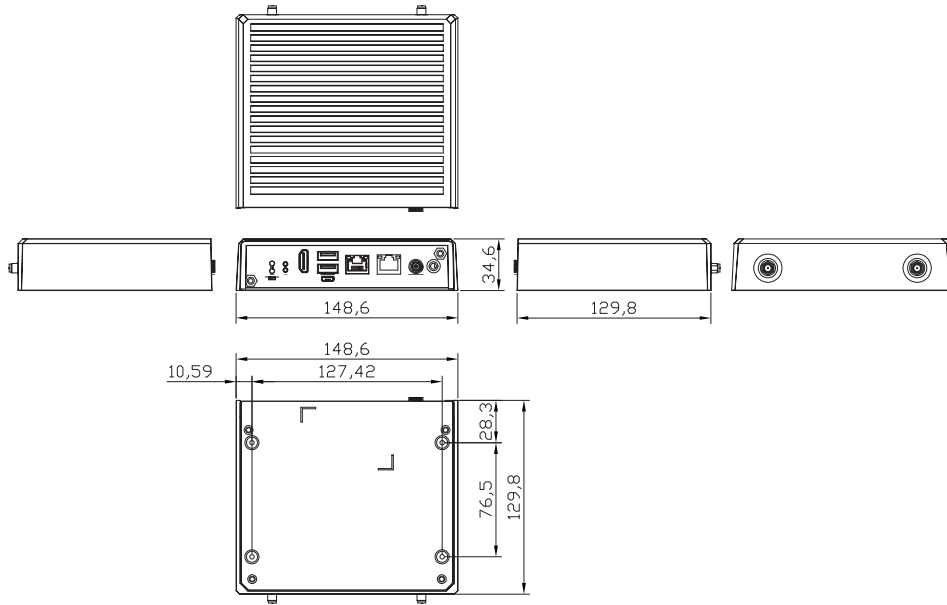
Wi-Fi module

Power cord

| | |
|--------------|-----------------|
| 50966124050E | 12V/60W adapter |
|--------------|-----------------|

* Specifications and certifications may vary based on different requirements.

Dimensions



AIE100-903-FL

Fanless Edge AI System with NVIDIA® Jetson Nano™ SoM, 1 HDMI, 1 GbE LAN, 1 GbE PoE, and 2 USB



Features

- NVIDIA® Jetson Nano™, 128-core NVIDIA Maxwell™ GPU
- High AI computing performance for GPU-accelerated processing
- Ideal for edge AI smart city applications
- Optional IP42 cover kit for semi-outdoor applications
- Supports one 15W GbE PoE for camera
- Wide operating temperature from -30°C to +60°C
- JetPack supported

NVIDIA® Jetson Nano™ available through to 2027*

The official end of life notice will be sent for at least 8 months before the last shipment.



Specifications

| | |
|---------------------|---|
| Standard Color | Silver |
| Construction | Aluminum extrusion and heavy-duty steel, IP40 (IP42 by optional cover kit) |
| AI Accelerator | NVIDIA® Jetson Nano™ |
| CPU | Quad-core ARM® Cortex®-A57 MPCore processor |
| GPU | 128-core NVIDIA Maxwell™ GPU |
| System Memory | 4GB 64-bit LPDDR4 onboard |
| Carrier Board | SBC87903 |
| System I/O Outlet | 1 x HDMI 2.0 with 4K2K supported 1 x 10/100/1000 Mbps Ethernet (via Jetson Nano™) 1 x 10/100/1000 Mbps PoE (Intel® i210-IT ;max. up to 15W) 1 x USB 3.0, 1 x USB 2.0 1 x Micro USB for image flash 1 x Recovery switch 1 x Reset button 1 x Power button 1 x 12 VDC power input connector 2 x SMA-type antenna connector |
| Watchdog Timer | Built-in Nano |
| Storage | Onboard 16GB eMMC (via Jetson Nano™) 1 x M.2 Key M 2280 with PCIe x4 NVMe SSD slot 1 x Micro SD slot *The bootable device supported by eMMC only |
| Expansion Interface | 1 x Full-size PCI Express Mini Card slot (USB + PCI Express signal) 1 x SIM slot |
| System Indicator | 1 x Green LED for system power-on 1 x Yellow LED for M.2 storage |
| Power Supply | 12 VDC screw type |

Specifications

| | |
|-----------------------|---|
| Operating Temperature | -30°C to +60°C (-22°F to +140°F) |
| Humidity | 10%- 95%, non-condensing |
| Vibration Endurance | 3 Grms with M.2 (5 to 500Hz, X, Y, Z directions) |
| Dimensions | 148.6 mm (5.85") (W) x 129.8 mm (5.11") (D) x 34.6 mm (1.36") (H) |
| Weight (net/gross) | 1 kg (2.20 lb)/ 1.6 kg (3.52 lb) |
| Certifications | CE, FCC Class A |
| OS Support | Linux Ubuntu 18.04 |

Remote Management Enrollment

Enroll in 24/7 secure service to get full feature of remote device management on one centralized cloud portal – Allxon Portal

*Enrollment Page: https://allxon.com/jetson/device_enroll/

Packing List

1 x Screw pack

4 x Foot pad

Power Protection

AC to DC Adapter

OVP (over voltage protection)

OCP (over current protection)

UVP (under voltage protection)

SCP (short circuit protection)

Ordering Information

Standard

| | |
|---------------|--|
| AIE100-903-FL | Fanless edge AI system with NVIDIA® Jetson Nano™ SoM, 1 HDMI, 1 GbE LAN, 1 GbE PoE and 2 USB |
|---------------|--|

Optional

| | |
|--------------|----------------|
| 8817H1003A0E | Wall mount kit |
|--------------|----------------|

| | |
|--------------|--------------|
| 8817H1001A0E | DIN-rail kit |
|--------------|--------------|

| | |
|--------------|----------------|
| 8817H1006A0E | VESA mount kit |
|--------------|----------------|

| | |
|--------------|----------------|
| 8817H1002A0E | IP42 cover kit |
|--------------|----------------|

| | |
|-----------------------------|--|
| M.2 NVMe SSD 128GB or above | |
|-----------------------------|--|

| | |
|------------|--|
| LTE module | |
|------------|--|

| | |
|--------------|--|
| Wi-Fi module | |
|--------------|--|

| | |
|------------|--|
| Power cord | |
|------------|--|

| | |
|--------------|-----------------|
| 50966124050E | 12V/60W adapter |
|--------------|-----------------|

* Specifications and certifications may vary based on different requirements.

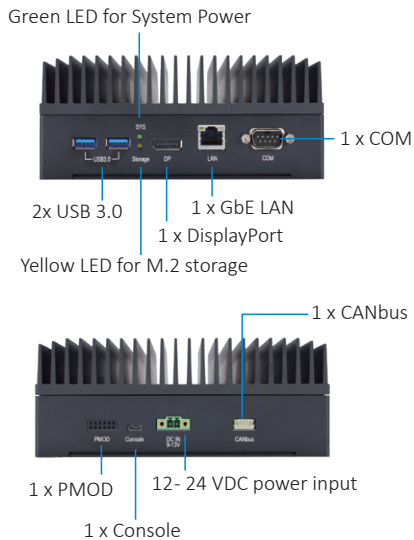
RSC201 NEW

Fanless Edge AI Computer Vision System with Xilinx® Kria™ K26 SoM , GbE LAN, CANbus, PMOD, COM, USB 3.0, DisplayPort, and 5G wireless Connection



Features

- Xilinx® Kria™ K26 SoM
- Supports GbE LAN for cameras
- Supports 5G wireless connection
- Wide operating temperature from -30°C to +75°C
- Wide voltage input from 12 to 24 VDC
- Supports Linux
- Ideal for edge AI smart city / industrial applications



▲ Front view



▲ Rear view

Specifications

| | |
|-----------------------|---|
| Standard Color | Black |
| Construction | Aluminum extrusion and heavy-duty steel, IP40 |
| AI Accelerator | Xilinx Kria K26 System-on-Module |
| System Memory | DDR4 4GB, 64-bit, onboard |
| System I/O Outlet | 1 x 10/100/1000 Mbps Ethernet 1 x DisplayPort 1.4 2 x USB 3.0 1 x COM for RS232 1 x CANbus 1 x 12-pin PMOD 1 x 12 to 24 VDC power input |
| Storage | eMMC 16GB 1 x M.2 Key B 2242 SSD slot (SATA3) |
| Expansion Interface | 1x M.2 B-Key 3052 for 5G 1x SIM socket |
| System Indicator | 1 x Green LED for system power 1 x Yellow LED for Storage (eMMC) |
| Power Supply | 12 to 24 VDC |
| Operating Temperature | -30°C to +75°C (-22°F to +167°F) |
| Humidity | 5% - 95%, non-condensing |
| Vibration Endurance | 3.5 Grms (5 to 500Hz, X, Y, Z directions) |
| Dimensions | 150.0 mm (5.91") (W) x 111.0 mm (4.37") (D) x 65.6 mm (2.58") (H) |
| Weight (net/gross) | 1.5 kg (3.32 lb) |
| Certifications | CE, FCC Class A |
| OS Support | Linux |

Ordering Information

Standard

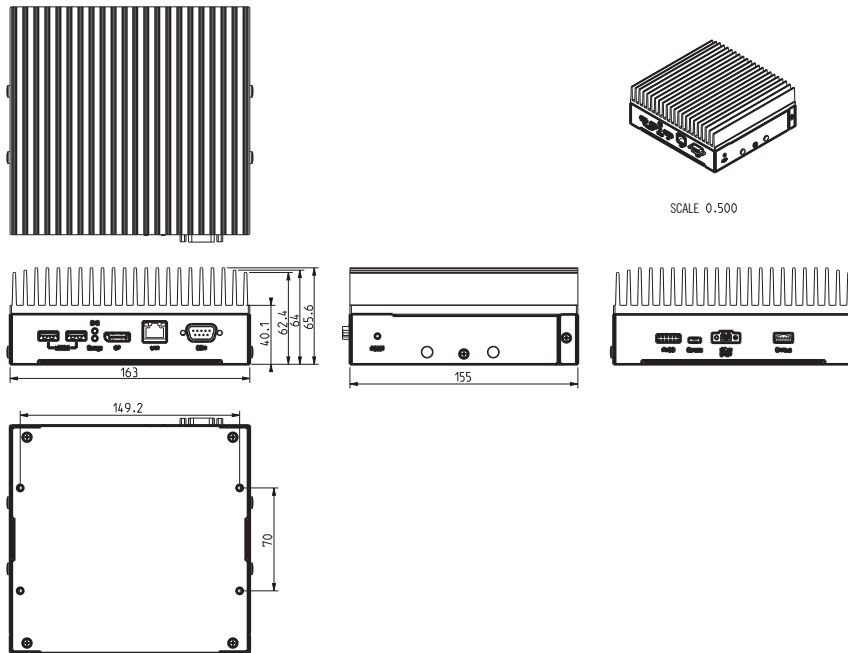
| | |
|----------|---|
| RSC201-I | Fanless Edge AI System with Xilinx® Kria™ K26 Industrial, GbE LAN, CANbus, PMOD, COM, USB 3.0, DisplayPort, and 5G Connection |
| RSC201-C | Fanless Edge AI System with Xilinx® Kria™ K26 Commercial, GbE LAN, CANbus, PMOD, COM, USB 3.0, DisplayPort, and 5G Connection |

Optional Accessory

Wall mount kit
M.2 SATA SSD module
5G module
Power adapter 12V/60W
Power cord

* Specifications and certifications may vary based on different requirements.

Dimensions



RSC101

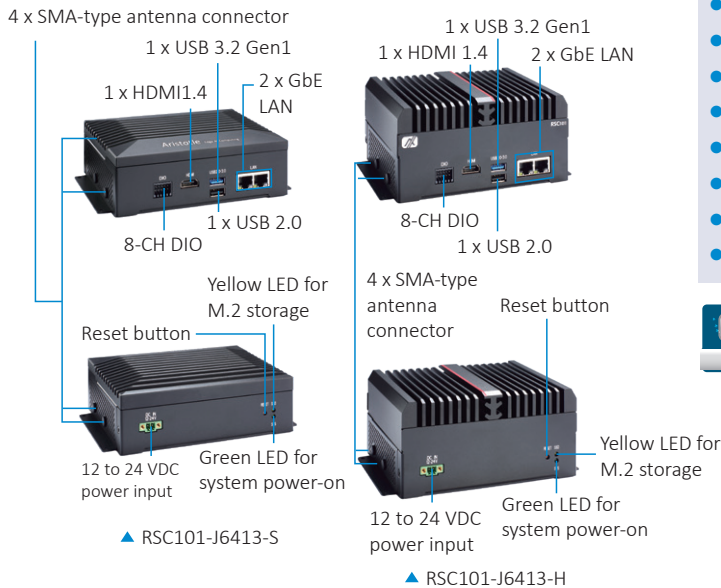


Fanless Edge AI Computer Vision System with Hailo-8™ Processor, HDMI, GbE LAN, USB 3.2, DIO, and Wi-Fi/Bluetooth/5G/LTE Wireless Connection



Features

- Hailo-8™ AI processor, up to 26 TOPS
- Palm size with high AI computing performance
- Supports dual GbE LAN for cameras
- Supports Wi-Fi/Bluetooth/5G/LTE wireless connection
- Wide operating temperature from -10°C to +70°C
- Wide voltage input from 12 to 24 VDC
- Supports Linux
- Ideal for edge AI smart city applications



Specifications

| | |
|---------------------|--|
| Standard Color | Black |
| Construction | Aluminum extrusion and heavy-duty steel, IP30 |
| CPU | Intel® Elkhart Lake processor |
| AI Accelerator | Hailo-8™ SoC, up to 26 TOPS |
| System Memory | 1 x DDR4 SO-DIMM slot, up to 32GB |
| System I/O Outlet | 1 x HDMI 1.4 with 4K2K supported 2 x 10/100/1000 Mbps Ethernet 1 x USB 3.2 Gen1 1 x USB 2.0 1 x 8-CH DI/DO 1 x 12 to 24 VDC power input 1 x Reset button 4 x SMA-type antenna connector |
| Storage | 1 x M.2 Key B 2242 SSD slot (SATA3) |
| Expansion Interface | 1 x M.2 Key E 2230 for Wi-Fi/Bluetooth 1 x M.2 Key B 3052 for 5G 1 x Wafer for RS-232/485 1 x SIM slot |
| System Indicator | 1 x Green LED for system power-on 1 x Yellow LED for M.2 storage |
| Power Supply | 12 to 24 VDC |

Specifications

| | |
|-----------------------|--|
| Operating Temperature | -10°C to +70°C (14°F to +158°F) (H) -10°C to +60°C (14°F to +140°F) (S) |
| Humidity | 10%- 95%, non-condensing |
| Vibration Endurance | 3 Grms (5 to 500Hz, X, Y, Z directions) |
| Dimensions | 150.0 mm (5.91") (W) x 111.0 mm (4.37") (D) x 71.7 mm (2.82") (H) 150.0 mm (5.91") (W) x 111.0 mm (4.37") (D) x 49.4 mm (1.94") (S) |
| Weight (net/gross) | 1.5 kg (3.32 lb) (H) 1.0 kg (2.20 lb) (S) |
| Certifications | CE, FCC Class A |
| OS Support | Linux |

Packing List

1 x Screw pack

Ordering Information

Standard

| | |
|----------------|---|
| RSC101-J6413-S | Fanless edge AI system with Hailo-8 accelerator, Intel® Celeron® processor J6413, HDMI, 2 GbE LAN, 2 USB, and 8-CH DI/DO, Standard heatsink |
| RSC101-J6413-H | Fanless edge AI system with Hailo-8 accelerator, Intel® Celeron® processor J6413, HDMI, 2 GbE LAN, 2 USB, and 8-CH DI/DO, High heatsink |

Optional Accessory

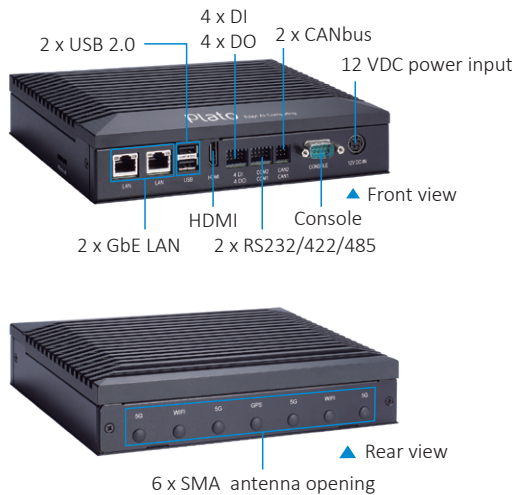
Wall mount kit
DDR4 SO-DIMM module
M.2 SATA SSD module
Wi-Fi/Bluetooth module
5G module
LTE module
Power adapter 12V/60W
Power cord

* Specifications and certifications may vary based on different requirements.

RSC100 NEW

Fanless Edge AI Computer Vision System with Hailo-8™ Processor, HDMI, GbE LAN, COM, DIO, CANbus, and Wi-Fi/Bluetooth/5G/LTE Wireless Connection

HAILO
Empowering Intelligence



Features

- Hailo-8™ AI processor, up to 26 TOPS
- Advanced AI performance, ideal for smart city applications
- Dual GbE for GigE cameras and LiDAR connectivity
- Dual COM/Dual CANbus/8-CH DI/DO
- Supports Wi-Fi/Bluetooth/5G/LTE wireless connection
- Wide operating temperature from -20°C to +70°C
- Supports Linux operating system



Specifications

| | |
|---------------------|--|
| Standard Color | Black |
| Construction | Aluminum extrusion and heavy-duty steel, IP40 |
| CPU | NXP® i.MX 8QuadMax processor |
| GPU | SoC integrated |
| AI Accelerator | Hailo-8™, up to 26 TOPS |
| System Memory | 4GB LPDDR4 onboard |
| Carried Board | SCB100 |
| System I/O Outlet | 1 x HDMI 2.0 with 4K2K supported 2 x 10/100/1000 Mbps Ethernet 2 x RS-232/422/485 2 x CANbus 2 x USB 2.0 4 x DI 4 x DO 1 x Console port 7 x SMA-type antenna connector |
| Watchdog Timer | Dual watchdog timer |
| Storage | Onboard 16GB eMMC 1 x M.2 Key M 2280 SATA SSD slot 1 x Micro SD slot |
| Expansion Interface | 2 x Full-size PCI Express Mini Card slot 1 x M.2 Key B 3052 slot 1 x SIM slot |
| System Indicator | N/A |
| Power Supply | 12 VDC |

Specifications

| | |
|-----------------------|--|
| Operating Temperature | -20°C to +70°C (-4°F to +158°F) |
| Humidity | 10%- 95%, non-condensing |
| Vibration Endurance | 3 Grms with M.2 (5 to 500Hz, X, Y, Z directions) |
| Dimensions | 200 mm (7.87") (W) x 150 mm (5.9") (D) x 45 mm (1.77") (H) |
| Weight (net/gross) | 2.1 kg (4.63 lb)/2.75 kg (6.06 lb) |
| Certifications | CE, FCC Class A |
| OS Support | Yocto Linux 3.0 |

Packing List

1 x 4P to DIN type power cable

Power Protection

DC Adapter

OVP (over voltage protection)

OCP (over current protection)

Reverse protection

Ordering Information

Standard

| | |
|--------|---|
| RSC100 | Fanless Edge AI system with AI accelerator, i.MX 8QuadMax, 4GB RAM, 16GB eMMC, 1 HDMI, 2 GbE LAN, 2 USB 2.0, 2 COM, 2 CAN, 4-CH DI, and 4-CH DO |
|--------|---|

Optional Accessory

Wall mount kit

M.2 SATA SSD module

MicroSD card

WiFi/Bluetooth module

5G module

LTE module

Power adapter

Power cord

* Specifications and certifications may vary based on different requirements.

5

Machine Vision Systems

Axiomtek's MVS series is designed to focus on vision inspection, guidance, measurement and identification applications. The products have already gone through a complete set of compatibility experiments to eliminate potential integration problems, significantly helping users reduce development and staffing costs as well as accelerate system deployment in factory automation environment.

| | | |
|-----------------|--|-----|
| Selection Guide | | 201 |
| MVS900-511-FL | Fanless Vision System with LGA1151 Socket 7th/6th Gen Intel® Core™ i7/i5/i3 & Celeron® Processor, Intel® H110 with Vision I/O, 4-CH PoE, and 4-CH LED Output | 205 |
| MVS100-323-FL | Mini Vision System with Intel® Atom® x5-E3940 Processor, Vision I/O, 2-CH PoE, and 2-CH LED Output | 202 |

Embedded Automation Computers

Machine Vision Systems

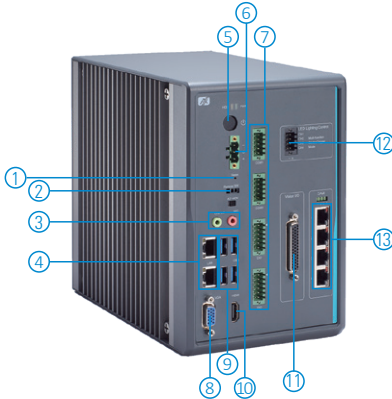
Selection Guide



| Features\Models | MVS900-511-FL | MVS100-323 |
|------------------------|--|---|
| CPU Level | 7th/6th gen Intel® Core™ i7/i5/i3 & Celeron®, up to 65W | Intel Atom® x5-E3940 (1.6GHz) |
| System Memory | 2 x DDR4-2133/2400 un-buffered SO-DIMM, up to 32GB | 1 x DDR3L SO-DIMM, up to 8GB |
| Chipset | Intel® H110 | SoC integrated |
| Vision I/O | 4 x Trigger input 4 x Trigger output 4 x LED lighting control (Strobe/Trigger mode) 2 x Quadrature encoder input 16 x Isolated DIO | 2 x Trigger input 2 x Trigger output 2 x LED lighting control 4 x Isolated I/O |
| Display | 1 x HDMI 1 x VGA | 1 x HDMI 1 x VGA |
| I/O Audio | Yes | N/A |
| PoE | 4 x IEEE802.3at GbE LAN port | 2 x IEEE802.3af GbE LAN port |
| Ethernet | 2 x 10/100/1000 Mbps | 1 x 10/100/1000 Mbps |
| USB | 4 x USB 3.0 | 2 x USB 3.0 |
| Others | 2 x RS-232/422/485 & 8-in/8-out DIO | 1 x RS-232/422/485 |
| Expansion Interface | 1 x Full-size PCI Express Mini Card slot 1 x Internal USB connector | N/A |
| Storage | 2 x Swappable 2.5" HDD (9.5mm height) | 1 x Full-size PCI Express Mini Card slot (mSATA signal) |
| TPM | TPM 2.0 | TPM 2.0 |
| Watchdog Timer | 255 levels, 1 to 255 sec. | 255 levels, 1 to 255 sec. |
| Power Input | 24 VDC (uMin=19V/uMax=30V) | 24 VDC±10% |
| Operating Temperature | -10°C to +60°C (+14°F to +140°F), with 6th gen CPU (35W) -10°C to +50°C (+14°F to +122°F), with 7/6th gen CPU (65W) | -10°C to +55°C (+14°F to +131°F) |
| Dimensions (W x H x D) | 135 x 208 x 230 mm (5.27" x 8.19" x 9.01") | 53.2 x 155 x 110.3 mm (2.09" x 6.1" x 4.34") |
| Weight (net/gross) | 5 kg (11.02 lb)/5.9 kg (13 lb) | 0.6 kg(1.32 lb)/ 0.9 kg(1.98 lb) |
| Mounting | Wall mount/DIN-Rail | Wall mount/DIN-Rail |
| Certifications | CE, FCC | CE, FCC |
| EOS Support | 6th gen: Win 7 32/64-bit & Win 10 64-bit 7th gen: Win 10 64-bit | Win 10 64-bit |
| Software Support | AMS.AXView | AMS.AXView |

MVS900-511-FL

Fanless Vision System with LGA1151 Socket 7th/6th Gen Intel® Core™ i7/i5/i3 & Celeron® Processor, Intel® H110, Vision I/O, 4-CH PoE and 4-CH LED Output



- | | |
|--|--|
| 1. Reset switch | 8. VGA |
| 2. Remote switch | 9. 4 x USB 3.0 |
| 3. Mic-in & Line-out | 10. HDMI |
| 4. 2 x LAN | 11. Vision I/O: 4-in/4-out trigger I/O, 8-in/8-out DIO, 2 x encoder |
| 5. Power switch | 12. LED lighting control: trigger and strobe mode |
| 6. Terminal block | 13. 4 x IEEE802.3at GbE LAN port |
| 7. 2 x RS-232/422/485 1 x 8-in/8-out DIO with isolated 1.5 kVDC protection | |

Features

- Integrated real-time vision I/O
 - 4-CH trigger input
 - 4-CH trigger output
 - 4-CH LED lighting control
 - 2-CH quadrature encoder input
 - 16-CH isolated DIO
- Supports camera interfaces
 - 4 IEEE802.3at GbE LAN ports (PoE)
- Power input: 24 VDC (uMin=19V/uMax=30V)
- -10°C to +60°C operating temperature range with W.T. SSD
- Supports 2 swappable 2.5" HDD
- Supports TPM 2.0 function



Specifications

| | |
|---------------------|---|
| Standard Color | Black |
| Construction | Aluminum die-casting and heavy-duty, IP40 |
| Processor | CPU Level 7th/6th gen Intel® Core™ i7/i5/i3 & Celeron® processors, up to 65W (Kaby Lake/Skylake) |
| System | Chipset Intel® H110 |
| System Memory | 2 x DDR4-2133/2400 un-buffered SO-DIMM, up to 32GB |
| System I/O | 1 x Switch for power On/Off (ATX) 1 x Remote switch 1 x Reset switch 1 x 3-pin terminal block 1 x AT/ATX selectable switch 2 x 10/100/1000 Mbps Ethernet (Intel® i211-AT) 2 x RS-232/422/485 & 1 x 8-in/8-out DIO with isolated 1.5 kVDC protection 4 x USB 3.0 1 x HDMI 1 x VGA 1 x Mic-in 1 x Line-out |
| TPM | TPM 2.0 |
| Vision I/O | - 4-CH trigger input (response time<1us, sink type, input range: 0 to 30V) - 4-CH trigger output (response time<1us, sink type, open collector, output range: 0 to 30V, 100mA max./CH) - 4-CH LED lighting control (strobe mode: 24V, 1A per CH/trigger mode: 24V, 0.5A per CH) - 2-CH quadrature encoder input (A/B/Z) - 8-CH isolated DI (sink/source type, input range: 0 to 30V) - 8-CH isolated DO(sink type, open collector, supply voltage: 5-30V, 200mA max./CH) - Programmable interrupt functions |
| Camera Interface | 4 x IEEE802.3at GbE LAN port (PoE, Intel® i210-AT, IEEE802.3at compliant, total max. power output 30W) |
| Expansion Interface | 1 x Full-size PCI Express Mini Card slot with USB signal 1 x Internal USB connector |

Specifications

| | |
|-----------------------|--|
| Storage | 2 x 2.5" swappable HDD (9.5 mm height) |
| System Indicators | 1 x Power LED 1 x HDD LED 4 x PoE power LED |
| Power Input | Type: ATX/AT Input: 24 VDC (uMin=19V/uMax=30V) |
| Operating Temperature | -10°C to +60°C (+14°F to +140°F) with 6th gen Intel® Core™ up to 35W and W.T. HDD/SSD* -10°C to +50°C (+14°F to +112°F) with 6th/7th gen Intel® Core™ up to 65W and W.T. HDD/SSD* |
| Storage Temperature | -20°C to +80°C (-4°F to +176°F) |
| Humidity | 10% to 90%, non-condensing |
| Dimensions | 135 mm (5.31") (W) x 208 mm (8.19") (H) x 230 mm (9.06") (D) |
| Weight (net/gross) | 5 kg (11.02lb)/5.9 kg (13 lb) |
| Certifications | CE, FCC |
| Software Support | AMS.AXView |

* CPU support list please refer to the user's manual

Ordering Information

System

| | |
|------------------------------------|---|
| MVS900-511-FL (P/N: E27L900100) | Fanless vision system with LGA1151 socket 7th/6th gen Intel® Core™ i7/i5/i3 & Celeron® processor, Intel® H110, vision I/O, 4-CH PoE and 4-CH LED output |
|------------------------------------|---|

Optional Accessory

2.5" SATA HDD/SSD

DDR4-2133/2400 un-buffered SO-DIMM, up to 32GB

| | |
|--------------|--|
| 8817L900010E | MVS900-511 usb dongle kit |
| 8817L900020E | MVS900_BK_Din_Kit |
| 8817L900030E | MVS900_Wall-Mount_Kit |
| 5A244AP1200E | 44-pin DIN-rail terminal board DM44-AP12 |
| 594DM443500E | 44-pin D-SUB cable, L=1m WHDM44/1.0-6954 |
| 594DM443510E | 44-pin D-SUB cable, L=2m WHDM44/2.0-6954 |
| 594DM443520E | 44-pin D-SUB cable, L=3m WHDM44/3.0-6954 |

* Specifications and certifications may vary based on different requirements.

Power Protection

DC Version

OVP (over voltage protection)

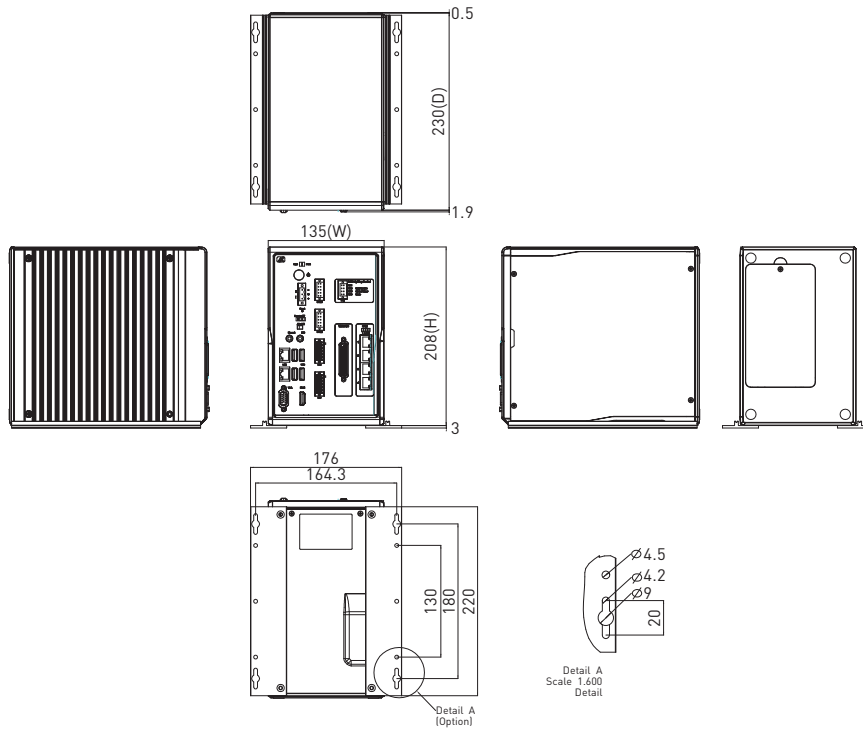
SCP (short circuit protection)

OCP (over current protection)

Packing List

- 1 x MVS900-511-FL
- 1 x Screw pack
- 4 x Foot pad
- 1 x CPU grease
- 1 x Terminal block
- 1 x Remote power switch cable

Dimensions



MVS100-323-FL

Mini Vision System with Intel Atom® x5-E3940 Processor, Vision I/O, 2-CH PoE, and 2-CH LED Output



Features

- Integrated real-time vision I/O
 - 2-CH trigger input
 - 2-CH trigger output
 - 2-CH LED lighting control
 - 4-CH isolated DIO
- Supports camera interfaces
 - 2 IEEE802.3af GbE LAN ports (PoE)
- Power input: 24 VDC
- -10°C to +55°C operating temperature range
- Supports TPM 2.0 function



Specifications

| | |
|-----------------------|---|
| Standard Color | Black |
| Construction | Extruded aluminum and heavy-duty steel, IP40 |
| Processor System | Intel Atom® x5-E3940 processor (1.6GHz) |
| System Memory | 1 x 204-pin DDR3L-1866 SO-DIMM, up to 8GB |
| System I/O | 1 x Power Switch 1 x 3-pin terminal block (power input) 1 x 10/100/1000 Mbps Ethernet (Intel® i211-AT) 1 x RS-232/422/485 2 x USB 3.2 Gen1 1 x HDMI 1 x VGA 1 x Internal USB connector (optional) |
| TPM | TPM 2.0 |
| Vision I/O | - 2-CH trigger input (dry or wet contact, sink/source type, input range: 0 to 30V)* - 2-CH trigger output (sink type, open collector, supply voltage: 5 to 30V, 100mA max./CH)** - 2-CH LED lighting control (12V/24V, max. 0.5A per CH) - 2-CH isolated DI (dry or wet contact, sink/source type, input range: 0 to 30V) - 2-CH isolated DO (sink type, open collector, supply voltage: 5 to 30V, 100mA max./CH) - Programmable interrupt functions |
| Camera Interface | 2 x IEEE802.3af GbE LAN port (PoE, Intel® i210-AT, IEEE802.3af compliant, total max. power output 20W) |
| Storage | 1 x Full-size PCI Express Mini Card slot (mSATA signal) |
| System Indicators | 1 x Power LED 1 x HDD LED 2 x PoE power LED |
| Power Input | Type: ATX/AT Input: 24 VDC±10% |
| Operating Temperature | -10°C to +55°C (+14°F to +131°F) |
| Storage Temperature | -20°C to +80°C (-4°F to +176°F) |
| Humidity | 10% to 95%, non-condensing |

Specifications

| | |
|--------------------|--|
| Dimensions | 53.2 mm (2.09") (W) x 155 mm (6.1") (H) x 110.3 mm (4.34") (D) |
| Weight (net/gross) | 0.6 kg (1.32 lb)/0.9 kg (1.98 lb) |
| Certifications | CE, FCC |
| Software Support | AXView |

*Trigger Input can be configured to DI independently by API

**Trigger Output can be configured to DO independently by API

Ordering Information

System

| | |
|------------------------------------|--|
| MVS100-323-FL (P/N: E27L100100) | Mini vision system with Intel Atom® x5-E3940 processor, vision I/O, 2-CH PoE and 2-CH LED output |
|------------------------------------|--|

Optional Accessory

| | |
|---------------|-----------------------|
| DDR3L SO-DIMM | |
| mSATA | |
| 8817L1001A0E | MVS100 Wall mount kit |

Power Protection

DC Version

OVP (over voltage protection)

SCP (short circuit protection)

UVP (under voltage protection)

Reverse Protection

Packing List

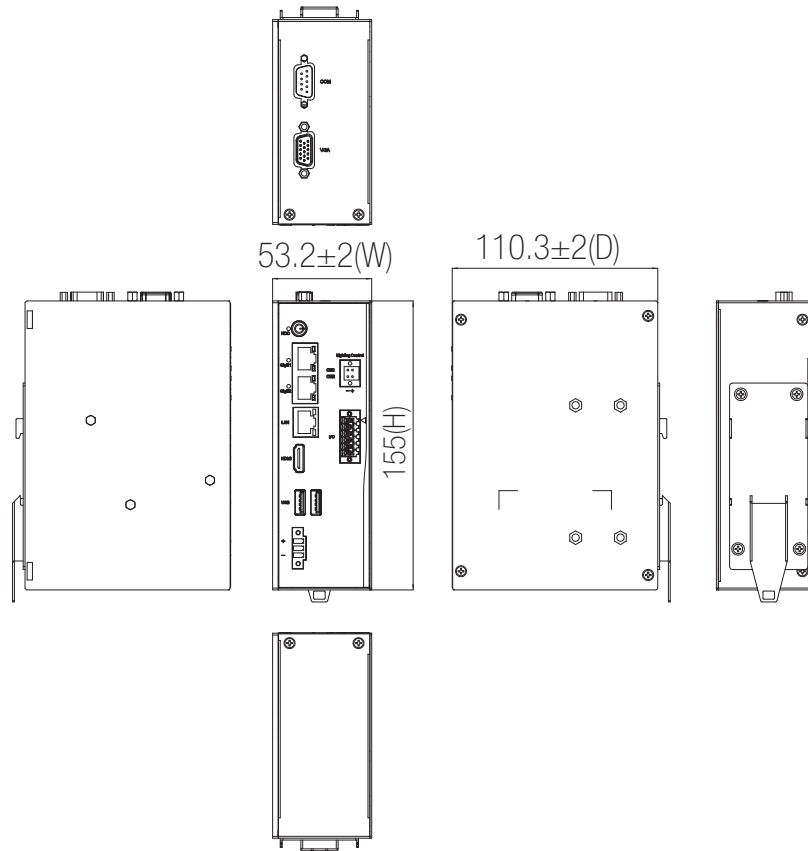
1 x MVS100-323-FL

1 x Screw pack

3 x Terminal block

1 x DIN-rail kit

Dimensions



6

Industrial Chassis & Embedded MicroBoxes



Axiomtek's MicroBoxes are perfect for industrial automation, medical, POS, gaming, digital signage and security market applications. With specific I/Os and pre-installed embedded operating systems, executing embedded solutions has become easier, and time to market reduced.

| | | |
|-----------------------------|--|-----|
| Selection Guide | | 209 |
| Embedded Micro Boxes | | |
| ECM300 | Embedded Chassis with 2 Expansion Slots for Mini-ITX SBC | 211 |
| ECM100 | Embedded Chassis for Mini-ITX SBC | 213 |
| Industrial Chassis | | |
| AX6156LE | 4U 14-slot Rackmount Chassis | 215 |
| AX61410 | 4U 14-slot Rackmount Chassis | 218 |
| AX61223TM | 2U Rackmount Chassis for ATX/Micro ATX Motherboard | 221 |
| AX61135TM | 1U Cost-effective Rackmount Chassis for ATX Motherboard | 223 |
| AX60810 | Wall Mount Chassis for ATX and Micro-ATX Motherboard | 225 |
| AX60501 | 6-slot ShoeBox Chassis | 227 |

Embedded Automation Computers

Embedded MicroBoxes

Selection Guide

| Model | Accessory Specifications | | | Dimensions | Mini ITX |
|---|----------------------------|-----------------------------------|---|---------------------|--------------------|
| | Drive Bay | Expansion Slot | Power Supply | | |
|  ECM300 | 1 x 3.5" or 1 x 2.5" | 2 x PCIe x8 or 1 x PCIe x16 | ATX 250W Input: AC 115 to 230V Output: +3.3V @ 10A, +5V @ 10A, +12V @ 8.5A, -12V @ 0.4A, +5VSB @ 1A, +5VSB @ 2.5A | 335 x 250 x 93.5 mm | MANO500 MANO520 |
|  ECM100 | 2 x 2.5" | N/A | ATX 250W Input: AC 115 to 230V Output: +3.3V @ 10A, +5V @ 10A, +12V @ 8.5A, -12V @ 0.4A, +5VSB @ 1A, +5VSB @ 2.5A | 265 x 250 x 71.5 mm | MANO500 MANO520 |

Industrial Chassis

Selection Guide



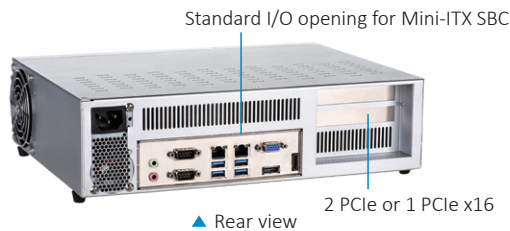
| Features/Models | AX6156LE | AX61410 | AX61223TM |
|------------------------|---|--|---|
| Height | 4U | 4U | 2U |
| Number of Slots | 14 | 14 | 2 |
| Backplane Selection | FAB100, FAB101, FAB112, FAB113, FAB114, FAB118, FAB119, ATX6022/14, ATX6022/14GP7, ATX6022/14G, ATX6022/13L | FAB100, FAB101, FAB112, FAB113, FAB114, FAB118, FAB119, ATX6022/14L, ATX6022/14G, ATX6022/13L, ATX6022/14GP7 | N/A |
| MB Support | Yes, 12" x 9.6" (ATX) | Yes, 12" x 9.6" (ATX), 9.6" x 9.6" (mATX) | Yes, 12" x 9.6" (ATX) |
| Drive Capacity | 5.25" | 3 | 1 |
| | 3.5" | 1 | 3 (2 internal) |
| Cooling System | 1 x 12 cm | 1 x 12 cm | 1 x 8 cm |
| Fault Detection | N/A | N/A | N/A |
| Power Supply | PS/2 type (optional HRP) | PS/2 type | PS/2 type |
| Dimensions (W x D x H) | 484.7±1.0 x 537.35±1.0 x 176.7±1.0 mm (19.08" x 21.16" x 6.96") | 479.3±1.0 x 447.85±1.0 x 177±1.0 mm (18.87" x 18.63" x 6.97") | 481.4±1.0 x 450±1.0 x 89.5±1.0 mm (18.95" x 17.72" x 3.52") |
| Weight (net/gross) | 18 kg (39.68 lb)/19.5 kg (43 lb) | 18 kg (39.68 lb)/19.5 kg (43 lb) | 12 kg (26.45 lb)/13.5 kg (29.77 lb) |



| Features/Models | AX61135TM | AX60810 | AX60501 |
|------------------------|--|---|---|
| Height | 1U | - | - |
| Number of Slots | 1 | 7 | 6 |
| Backplane Selection | N/A | N/A | FAB105, FAB109, FAB110, HAB206, ATX6022/6 |
| MB Support | Yes, 12" x 9.6" (ATX) | Yes, 12" x 9.6" (ATX), 9.6" x 9.6" (mATX) | N/A |
| Drive Capacity | 5.25" | N/A | 1 |
| | 3.5" | 2 (internal) | 2 (1 internal) |
| Cooling System | 2 x 4 cm | 1 x 12 cm (with a removable filter) | 1 x 9 cm |
| Fault Detection | N/A | N/A | N/A |
| Power Supply | 1U type | PS/2 type | PS/2 type |
| Dimensions (W x D x H) | 482±1.0 x 469.50±1.0 x 44±1.0 mm (18.98" x 18.48" x 1.73") | 196±1.0 x 407.4±1.0 x 330±1.0 mm (7.72" x 16.04" x 13") | 235±1.0 x 400.5±1.0 x 154.7±1.0 mm (9.25" x 15.77" x 6.09") |
| Weight (net/gross) | 4.2 kg (9.26 lb)/6.7 kg (14.77 lb) | 9 kg (19.84 lb)/10.3 kg (22.7 lb) | 9 kg (19.84 lb)/10.3 kg (22.7 lb) |

ECM300

Embedded Chassis with Expansion Slots for Mini-ITX SBC



Features

- Designed for Mini-ITX SBC with expansion slots
- One 3.5" or 2.5" HDD drive bay
- 2 PCIe or 1 PCIe x16 slots supported
- Slim design with 1 system fan
- 250W power supply supported
- Easy and quick customization

Specifications

| | | |
|---------------------|---|--|
| Standard Color | Silver | |
| Construction | Heavy-duty cold-rolled steel | |
| Indicator | 1 x Green LED for system power-on 1 x Orange LED for HDD active | |
| Panel I/O | Front | 1 x ATX power button with cover 2 x USB 2.0 antenna |
| | Rear | 1 x Standard Mini-ITX I/O bracket space |
| Expansion Interface | 1 x PCIe x16 or 2 x PCIe x8 | |
| Storage | 1 x 3.5" HDD or 1 x 2.5" HDD (9.5 mm height) | |
| Cooling | 80 x 80 mm system fan | |
| Power Input | ATX 250W | |
| | Input: AC 115 to 230V Output: +3.3V @ 10A, +5V @ 10A, +12V @ 8.5A, -12V @ 0.4A, +5VSB @ 1A | |
| Dimensions | 335 mm (13.2") (W) x 250 mm (9.8") (D) x 93.5 mm (3.68") (H) | |
| Environment | EMI pre-scan meets EN 55022 Class A | |

Applications

Factory automation
Embedded controller
Machine vision system
Compact industrial PC

Ordering Information

Standard

| | |
|--------|--|
| ECM300 | Embedded chassis with expansion slots for Mini-ITX SBC |
|--------|--|

SBC Options

| | |
|-----------------------------------|--------------------------------------|
| MANO520-H310 (P/N: E38M520100) | Supports 1 x PCIe x16 |
| MANO500-Q170 (P/N: E38M500106) | Supports 1 x PCIe x16 or 2 x PCIe x8 |
| MANO500-H110 (P/N: E38M500100) | Supports 1 x PCIe x16 |
| MANO540-H410 (P/N: E38M540100) | Supports 1 x PCIe x16 |

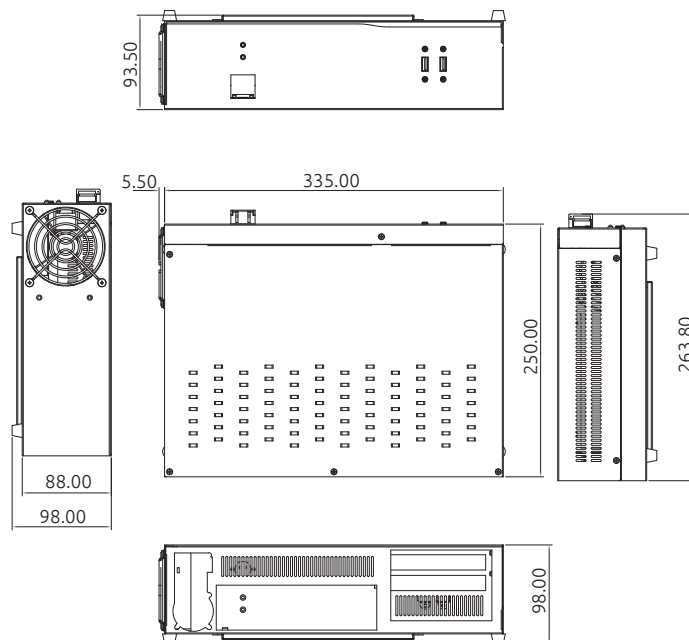
Optional

| | |
|--------------------------------|-------------------------|
| AX96723 (P/N: 5A009672300E) | 1 x PCIe x16 riser card |
| AX96147 (P/N: 83961471000E) | 2 x PCIe x8 riser card |
| 881723000A0E | Wall mount kit |
| 50916624000E | 250W AC power supply |
| 82723001030E | 250W power bracket kit |

Power Cord

*Specifications and certifications may vary according to various options.

Dimensions



ECM100

Embedded Chassis for Mini-ITX SBC



Features

- Designed for Mini-ITX SBC
- Two 2.5" HDD drive bays
- Optional 250W AC-in power supply
- Supports wall mount kit
- Slim design with 1 system fan
- Easy and quick customization

Specifications

| | | |
|---------------------|---|--|
| Standard Color | Silver | |
| Construction | Heavy-duty cold-rolled steel | |
| Indicator | 1 x Green LED for system power-on 1 x Orange LED for HDD active | |
| Panel I/O | Front | 1 x ATX power button 2 x USB 2.0 2 x SMA type connector opening for Antenna |
| | Rear | 1 x Standard Mini-ITX I/O bracket space 4 x Optional DB connector (COM/DIO/CAN) |
| Expansion Interface | N/A | |
| Storage | 2 x 2.5" HDD (9.5 mm height) | |
| Cooling | 40 x 40 mm system fan | |
| Power Input | ATX 250W | |
| | Input: AC 115 to 230V Output: +3.3V @ 10A, +5V @ 10A, +12V @ 8.5A, -12V @ 0.4A, +5VSB @ 1A | |
| Dimensions | 265 mm (10.43") (W) x 250 mm (9.84") (D) x 71.5 mm (2.81") | |
| Environment | EMI pre-scan meets EN 55022 Class A | |

Applications

Factory automation
Embedded controller
Machine vision system
IIoT gateway
Compact industrial PC

Ordering Information

Standard

| | |
|--------|-----------------------------------|
| ECM100 | Embedded chassis for Mini-ITX SBC |
|--------|-----------------------------------|

SBC Options

MANO500-H110 (P/N: E38M500100)

MANO500-Q170 (P/N: E38M500106)

MANO520-H310 (P/N: E38M520100)

Optional

881721000A0E Wall mount kit

50916624000E 250W AC power supply

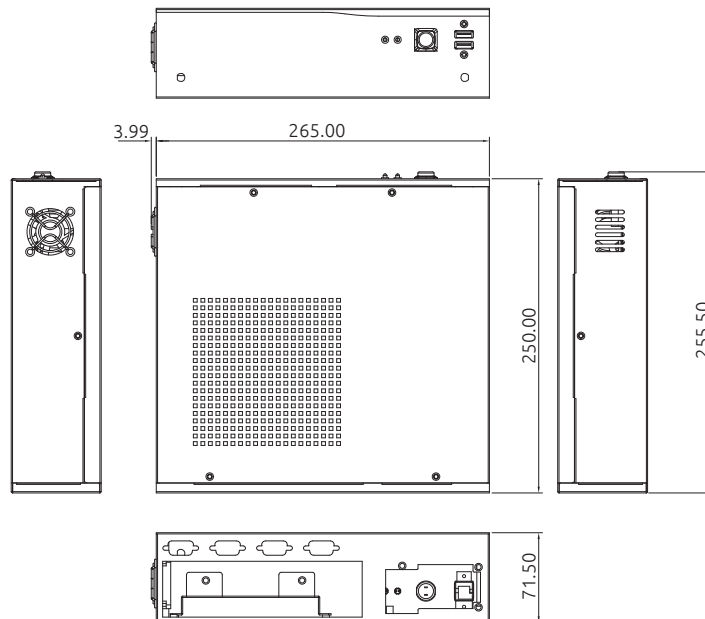
82721000030E 250W power bracket kit

594K6402110E RS-232 cable

Power Cord

*Specifications and certifications may vary according to various options.

Dimensions



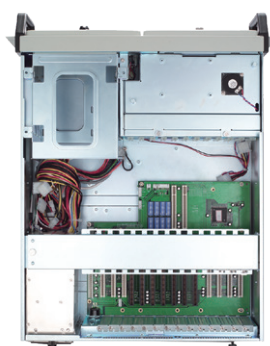
AX6156LE

4U 14-slot Rackmount Chassis



Features

- Three 5.25" and one 3.5" HDD drive bays
- One 12 cm ball-bearing fan (two 12 cm fans for optional)
- Supports maximum 14 slot backplane via PICMG SBCs or ATX motherboards
- Hot-swap redundant power supply supported



▲ Top view

Specifications

| | |
|------------------------|---|
| Standard Color | Beige |
| Construction | Heavy-duty steel |
| Drive Capacity | Exposed 3 x 5.25" HDD drive bay 1 x 3.5" HDD drive bay |
| Cooling | 1 x 12 cm ball-bearing fan (88 CFM/each) with a removable filter (two fans for optional) Front panel indicators: 1 x power on/off; 1 x HDD |
| Front Panel Controls | 1 x Power on/off 1 x System reset |
| Front Panel Connectors | 1 x USB 1x PS/2 5-pin keyboard |
| Pre-punched Panel | 2 x 9-pin; 1 x DIN 5-pin keyboard |
| System Board | PICMG SBCs, ATX motherboards or IMB series |
| Expansion Interface | 14-slot backplane |
| Speaker | 1 x 0.3W speaker |
| Operating Temperature | 0°C to +40°C (+32°F to +104°F) |
| Dimensions | 484.7 ± 1.0mm (19.08") (W) x 537.35 ± 1.0mm (21.16") (D) x 176.7 ± 1.0mm (6.96") (H) |
| Weight (net/gross) | 18 kg (39.68 lb)/19.5 kg (43 lb) |

Ordering Information

| | |
|---------------------------------|--|
| AX6156LEWB (P/N: E206156500) | 4U 14-slot beige rackmount chassis for full-size SBC w/o PSU |
| AX6156LETB (P/N: E206156501) | 4U 14-slot black rackmount chassis for full-size SBC w/o PSU |
| AX6156LETM (P/N: E206156502) | 4U 7-slot black rackmount chassis for ATX w/o PSU |
| AX6156LEWM (P/N: E206156525) | 4U 7-slot beige rackmount chassis for ATX SBC w/o PSU |

*Specifications and certifications are based on options and may vary.

** T-Black color; W-Beige color

Backplane Options

PICMG 1.3

| Models | Slots per Segment (ISA/PCI/PCIe/CPU) | Segment |
|--------|---|---------|
| FAB100 | 4/4/5/1 | Single |
| FAB101 | 0/13/0/1 | Single |
| FAB112 | 0/10/2/1 | Single |
| FAB113 | 0/4/8/1 | Single |
| FAB114 | 0/8/4/1 | Single |
| FAB119 | 0/10/2/1 | Single |

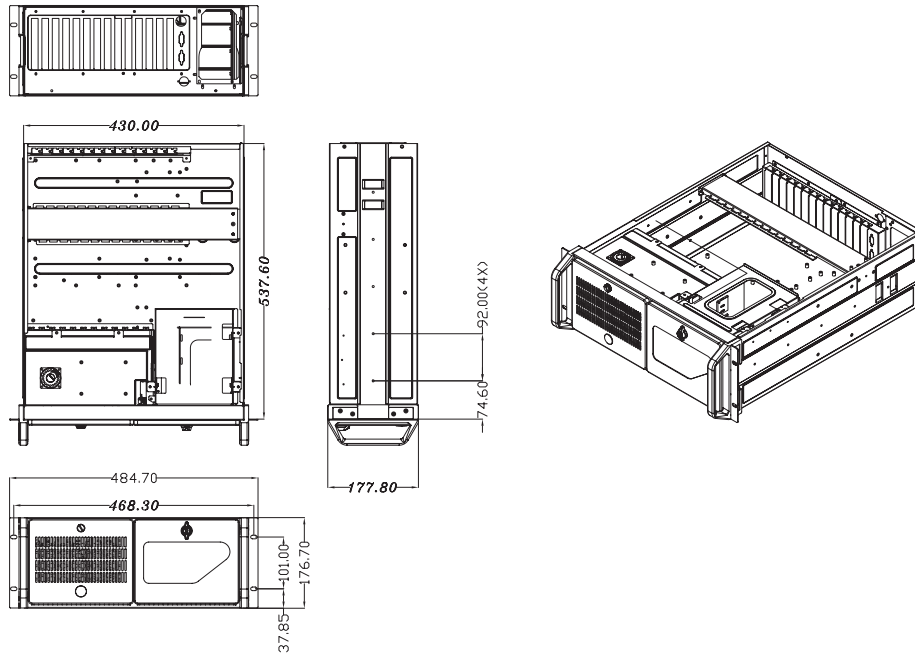
Power Supply Information

| | |
|--------------|-------------------------------------|
| 50904B24010E | ATX 400W FSP-400-70PFL (SK) |
| 50916A06000E | ATX 600W SS-600ES2 |
| 50914B09620E | ATX AC_AUTO 400W-HRP MRW-6400P (RC) |

Packing List

| | |
|--------------|--|
| 50761222000E | LGA1151/1155/1156 CPU cooler |
| 72061560000E | 3.5" to 5.25" HDD bracket (Need to buy a pair) |
| E393242100 | AX93242-RC HD audio converter kit |
| 593836A0030E | Power cable SATAx2, L=150mm (RC) |
| 594G5208010E | SATA3 cable 180D w/B.sleeve, L=50cm |
| 594G5208000E | SATA3 cable 180D w/lock&B.sleeve, L=50cm |
| 59380402010E | COM port cable w/bracket, P=2.54mm, L=300m |
| 5938A808010E | USB cable w/bkt USBx2, 2X5 (10P-Key) |

Dimensions



AX61410

Backplane Version: 4U 14-slot Rackmount Chassis for Full-size SHB/SBC Series Motherboard Version:
4U 7-slot Rackmount Chassis for ATX/Micro-ATX Motherboard



Features

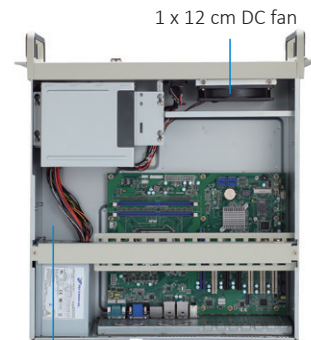
- Three 5.25" HDD and one 3.5" HDD drive bays
- ATX or redundant power supply (optional)
- Lockable front door



▲ Front view



▲ Rear view



Supports ATX or
redundant PSU

▲ Top view

Specifications

| | | |
|------------------------|--|------------------------------|
| Standard Color | Black/Beige | |
| Construction | Heavy-duty steel | |
| System Board | TM version | ATX or Micro-ATX motherboard |
| | TB version | PICMG- SBC/SHB Series |
| Drive Capacity | External | 3 x 5.25" HDD drive bay |
| | | 1 x 3.5" HDD drive bay |
| | Internal | 1 x 3.5" HDD |
| Cooling | 1 x 12 cm DC fan with a removable filter | |
| Front Panel Indicators | 1 x Power | |
| | 1 x HDD | |
| Front Panel Controls | 1 x Power on/off | |
| | 1 x System reset | |
| Front Panel Connector | 2 x USB (default) | |
| | 2 x USB (optional) | |
| Operating Temperature | 0°C to +40°C (+32°F to +104°F) | |
| Dimensions | 479.3 ± 1.0mm (18.87") (W) x 447.85 ± 1.0mm (18.63") (D) x 177 ± 1.0mm (6.97") (H) | |
| Weight (net/gross) | 18 kg (39.68 lb)/19.5 kg (43 lb) | |
| Speaker | Optional | |
| Rear Panel | 2 x COM opening, 2 x flexible I/O opening | |

Ordering Information

| | |
|--------------------------------|---|
| AX61410TM (P/N: E261410100) | 4U 7-slot black rackmount chassis for ATX/Micro-ATX motherboard w/o PSU |
| AX61410WM (P/N: E261410101) | 4U 7-slot beige rackmount chassis for ATX/Micro-ATX motherboard w/o PSU |
| AX61410TB (P/N: E261410102) | 4U 14-slot black rackmount chassis for full-size SBC w/o PSU |
| AX61410WB (P/N: E261410103) | 4U 14-slot beige rackmount chassis for full-size SBC w/o PSU |

*Specifications and certifications are based on options and may vary.

Power Supply Information

| | |
|--------------|-------------------------------------|
| 50904B24010E | ATX 400W FSP-400-70PFL (SK) |
| 50916A06000E | ATX 600W SS-600ES2 |
| 50914B09620E | ATX AC_AUTO 400W-HRP MRW-6400P (RC) |

Optional Accessories

| | |
|--------------|--|
| 50761222000E | LGA1151/1155/1156 CPU cooler |
| 72061560000E | 3.5" to 5.25" HDD bracket (Need to buy a pair) |
| 593836A0030E | Power Cable SATAx2 L=150mm(RC) |
| 594G5208010E | SATA3 Cable 180D w/B.sleeve L50cm |
| 594G5208000E | SATA3 Cable 180D w/lock&B.sleeve L50cm |
| 59380402010E | COM PORT Cable w/bracket P=2.54mm L=300m |

Backplane Options

PICMG 1.0

| Models | Slots per Segment (ISA/PCI/PCIe/CPU) | Segment |
|---------------|---|---------|
| ATX6022/13L | 8/4/0/1 | Single |
| ATX6022/14G | 1/12/0/1 | Single |
| ATX6022/14GP7 | 6/7/0/1 | Single |

PICMG 1.3

| Models | Slots per Segment (ISA/PCI/PCIe/CPU) | Segment |
|--------|---|---------|
| FAB100 | 4/4/5/1 | Single |
| FAB101 | 0/13/0/1 | Single |
| FAB112 | 0/10/2/1 | Single |
| FAB113 | 0/4/8/1 | Single |
| FAB114 | 0/8/4/1 | Single |
| FAB119 | 0/10/2/1 | Single |
| FAB121 | 0/2/8/1 | Single |

AX61223TM

2U Rackmount Chassis for ATX/Micro ATX Motherboard

Features

- Supports ATX/Micro ATX motherboard
- Supports ATX power supply
- Internal one 3.5" HDD drive bays
- Front-accessible one 3.5", one 5.25" HDD drive bays and one slim CD-ROM bay



5.25" & 3.5", slim DVD-ROM drive bays

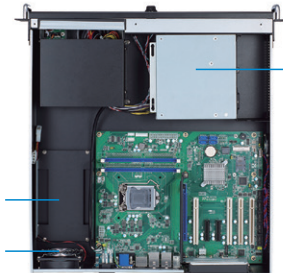


▲ Front view

Supports riser card (optional)



▲ Rear view



PS/2 power supply

Internal HDD

8 cm ball-bearing fan

▲ Top view

Specifications

| | | |
|------------------------|--|---|
| Standard Color | Black | |
| Construction | Heavy-duty steel | |
| System Board | ATX/Micro ATX motherboard | |
| Drive Capacity | Exposed | 1 x Slim-line CD-ROM bay 1 x 3.5" HDD drive bay 1 x 5.25" HDD drive bay |
| | Internal | 1 x 3.5" HDD drive bay |
| Cooling | 1 x 8 cm ball-bearing fan (38.6 CFM/each) | |
| Front Panel Indicators | 1 x Power on/off 1 x HDD | |
| Front Panel Controls | 1 x Power on/off 1 x System reset | |
| Front Panel Connectors | 2 x USB 1 x PS/2 2 x USB (flexible USB kit, optional) | |
| Rear Panel Connectors | 2 x COM opening | |
| Expansion Interface | By riser card (optional) | |
| Speaker | 1 x 0.3W speaker | |
| Operating Temperature | 0°C to +40°C (+32°F to +104°F) | |
| Dimensions | 481.4 ± 1.0mm (18.95") (W) x 450±1.0mm (17.72") (D) x 89.5±1.0mm (3.52") (H) | |
| Weight (net/gross) | 12 kg (26.45 lb)/13.5 kg (29.77 lb) | |

Ordering Information

| | |
|--------------------------------|--|
| AX61223TM (P/N: E261223100) | 2U black rackmount chassis for ATX/Micro-ATX motherboard w/o PSU |
|--------------------------------|--|

*Specifications and certifications are based on options and may vary.

Power Supply Information

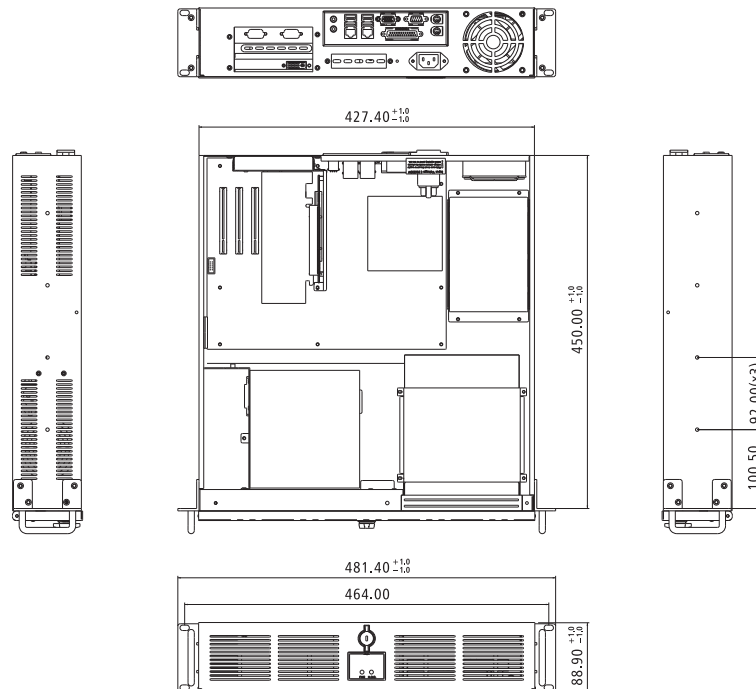
| | |
|--------------|-----------------------------|
| 50904B24010E | ATX 400W FSP-400-70PFL (SK) |
| 50916A06000E | ATX 600W SS-600ES2 |

Optional Items

| | |
|--------------|---|
| 5A009672200E | AX96722 PCIe x16 to one PCIe x16 riser card |
| 5A009672100E | AX96721 PCIe x16 to two PCIe x8 riser card |
| 83962101000E | AX96210 PCIE x1 to two PCI riser card |
| 59460642100E | Flexible rear COM I/O, 1 COM port cable, P=2.54 mm, L=300 mm |
| 59460802800E | Flexible front USB I/O, 2 USB port cable, P=2.54 mm, L=600 mm |
| 50761222000E | LGA1151/1155/1156 CPU cooler |
| 72061560000E | 3.5" to 5.25" HDD bracket (Need to buy a pair) |
| 593836A0030E | Power cable SATAx2, L=150mm (RC) |
| 594G5208010E | SATA3 Cable 180D w/B.sleeve, L=50cm |
| 594G5208000E | SATA3 cable 180D w/lock&B.sleeve, L=50cm |

*Note: IMB210, IMB500 & IMB501 are unable to support the compatible riser cards above.

Dimensions



AX61135TM

1U Expandability Rackmount Chassis for ATX Motherboard

Features

- Supports 12" x 9.6" standard ATX motherboard
- Two 4 cm system fan
- Supports 1U Flex ATX power supply
- Internal 2 x 3.5" HDD or internal 2 x 2.5" HDD



▲ Front view



▲ Rear view



▲ Top view

Specifications

| | |
|------------------------|--|
| Standard Color | Black |
| Construction | Heavy-duty steel |
| System Board | 12" x 9.6" standard ATX motherboard |
| Drive Capacity | Internal 2 x 3.5" HDD or internal 2 x 2.5" HDD |
| Cooling | 2 x 4 cm ball-bearing fan |
| Front Panel Indicators | 1 x Power on/off 1 x HDD |
| Front Panel Controls | 1 x Power on/off |
| Front Panel Connectors | 2 x USB 2.0 |
| Expansion Interface | 1 x PCIe x16 slot via riser card |
| Operating Temperature | 0°C to +40°C (+32°F to +104°F) |
| Dimensions | 440 ± 1.0 mm (18.98") (W) x 471.50 ± 1.0 mm (18.48") (D) x 44 ± 1.0 mm (1.73") (H) |
| Weight (net/gross) | 4.2 kg (9.26 lb)/6.7 kg (14.77 lb) |

Ordering Information

| | |
|--------------------------------|--|
| AX61135TM (P/N: E261135100) | 1U rackmount chassis for ATX motherboard w/o PSU |
|--------------------------------|--|

Power Supply Information

| | |
|--------------|---------------------------------|
| 50954724200E | ATX 300W FSP300-57FCB, L=750 mm |
|--------------|---------------------------------|

Selection Guide

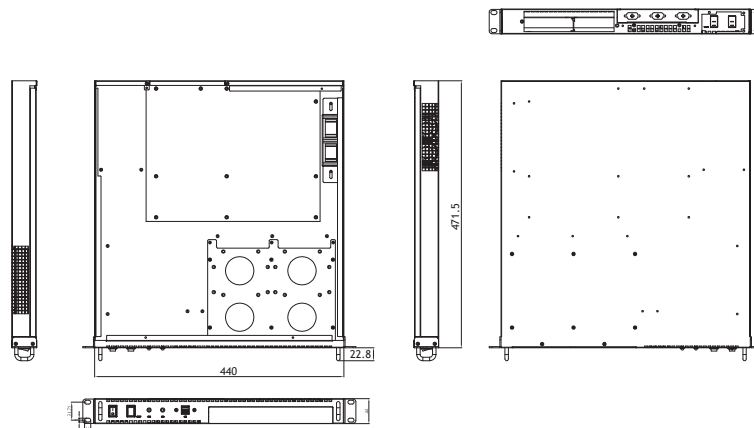
| Model Name | Rear I/O | PCIe x16 to PCIe x16 riser card (P/N: 881611351A0E) |
|------------|--------------|--|
| IMB530 | 721000015300 | ○ |
| IMB540 | | ◎ |
| IMB520(R) | 72611351400E | ◎ |
| IMB521(R) | | ◎ |
| IMB523(R) | | ◎ |
| IMB524(R) | | ◎ |
| IMB525(R) | | ◎ |

◎ : Support X: Not Support

Packing List

| | |
|--------------|---|
| 881611351A0E | AX61135TM, PCIe riser card (slot1 and 3) kit (E) |
| 881611350A0E | Hot-swappable HDD tray set (Need to buy 594L3220B00E) |
| 594L3220B00E | Hot-swappable HDD power cable |
| 594G5208010E | SATA3 Cable 180D w/B.sleeve L=50cm |
| 594G5208000E | SATA3 Cable 180D w/lock & B.sleeve L=50cm |
| 59401210530E | Power cable 6 x 2 to 4P x 2/SATA x 2/AT x 8, L=65 cm |
| 5076E510000E | LGA1151/LGA1200 CPU heatsink |
| 59380703000E | COM Cable x2 w/BKT (,40), P=2.54 mm, L=300 mm |
| 59380402010E | COM Cable x1 w/Bracket, P=2.54 mm, L=300 mm |
| 59384500100E | SBC84500 Audio Cable w/BKT, P=2, L=420 mm |
| 5938A808020E | USB Cable w/BKT USB x 2, 2 x 5 (10P-KEY) 400 mm |

Dimensions



AX60810

Wall Mount Chassis for ATX and Micro-ATX Motherboards



A removable filter

Features

- Supports ATX/micro-ATX motherboard
- Front-accessible one 5.25" HDD and two 3.5" HDD drive bays
- Equipped with a PS/2 type power supply
- One 12cm ball-bearing fan
- Bidirectional mounting chassis
- Easy removable filter
- Flexible I/O opening on rear



Flexible I/O opening
▲ Rear view



▲ Top view

Specifications

| | |
|------------------------|---|
| Standard Color | Warm gray |
| Construction | Heavy-duty steel |
| System Board | ATX or mATX |
| Drive Capacity | Exposed 1 x 5.25" HDD drive bay 2 x 3.5" HDD drive bays or 1 x 2.5" & 1 x 3.5" HDD drive bays |
| Cooling | 1 x 12cm DC fan with a removable filter |
| Front Panel Indicators | 1 x Power on/off 1 x HDD |
| Front Panel Controls | 1 x Power on/off 1 x System reset |
| Front Panel Connector | 2 x USB |
| Operating Temperature | 0°C to +40°C (+32°F to +104°F) |
| Dimensions | 196 ± 1.0mm (7.72") (W) x 407.4 ± 1.0mm (16.04") (D) x 330 ± 1.0mm (13") (H) |
| Weight (net/gross) | 9 kg (19.84 lb)/10.3 kg (22.7 lb) |

Ordering Information

| | |
|-------------------|--|
| AX60810 | Shoebox 7-slot warm gray chassis for ATX/micro-ATX motherboard w/o PSU |
| (P/N: E260810100) | |

*Specifications and certifications are based on options and may vary.

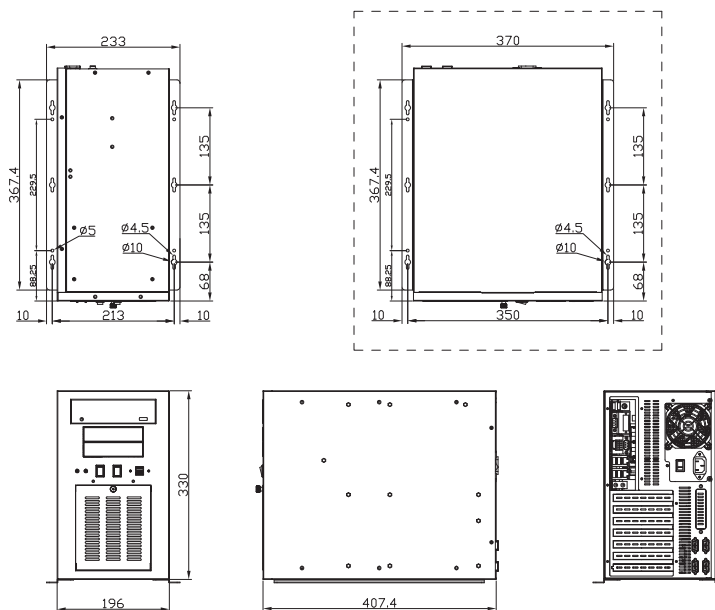
Power Supply Information

| | |
|--------------|-----------------------------|
| 50904B24010E | ATX 400W FSP-400-70PFL (SK) |
| 50916A06000E | ATX 600W SS-600ES2 |

Optional Accessories

| | |
|--------------|--|
| 50761222000E | LGA1151/1155/1156 CPU cooler |
| 72061560000E | 3.5" to 5.25" HDD bracket (Need to buy a pair) |
| 881608100A0E | AX60810 USB dongle kit |

Dimensions



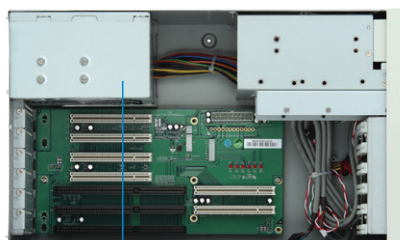
AX60501

6-slot ShoeBox Chassis



Features

- Desktop or wallmount industrial computer chassis
- One 5.25" and two 3.5" HDD drive bays
- Equipped with a PS/2 type power supply



▲ Top view

Equipped with a power supply bracket securing the power supply better when the chassis is positioned in 90° orientation

Specifications

| | | |
|------------------------|--|---|
| Standard Color | Beige | |
| Construction | Heavy-duty steel | |
| Drive Capacity | Exposed | 1 x 5.25" HDD drive bay 1 x 3.5" HDD drive bay |
| | Internal | 1 x 3.5" HDD drive bay |
| Cooling | 1 x 9 cm ball-bearing fan (51 CFM/each) with a removable filter | |
| Front Panel Indicators | 1 x Power on/off | |
| Front Panel Controls | 1 x Power on/off 1 x System reset | |
| Front Panel Connector | 1 x PS/2 6-pin keyboard & mouse 2 x USB | |
| System Board | SBCs | |
| Expansion Interface | 6-slot backplane | |
| Operating Temperature | 0°C to +40°C (+32°F to +104°F) | |
| Dimensions | 235 ± 1.0mm (9.25") (W) x 400.5 ± 1.0mm (15.77") (D) x 154.7 ± 1.0mm (6.09") (H) | |
| Weight (net/gross) | 9 kg (19.84 lb)/10.3 kg (22.7 lb) | |

Ordering Information

| | |
|------------------------------|---|
| AX60501 (P/N: E260501109) | 6-slot black shoesbox chassis for full-size SBC W/O PSU |
| AX60501 (P/N: E260501116) | 6-slot beige shoesbox chassis for full-size SBC W/O PSU |

*Specifications and certifications are based on options and may vary.

Power Supply Information

| | |
|--------------|-----------------------------|
| 50904B24010E | ATX 400W FSP-400-70PFL (SK) |
| 50916A06000E | ATX 600W SS-600ES2 |

Backplane Options

PICMG 1.0

| Models | Slots per Segment (ISA/PCI/PCIe/CPU) | Segment |
|-----------|---|---------|
| ATX6022/6 | 1/4/0/1 | Single |

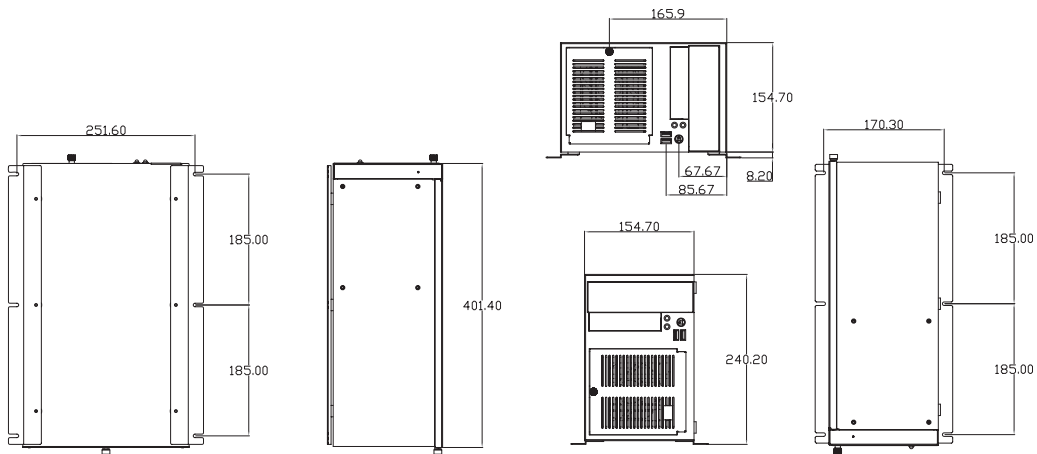
PICMG 1.3

| Models | Slots per Segment (ISA/PCI/PCIe/CPU) | Segment |
|--------|---|---------|
| FAB105 | 0/3/1/1 | Single |
| FAB109 | 0/0/4/1 | Single |
| FAB110 | 0/2/2/1 | Single |
| HAB206 | 0/3/1/1 | Single |

Optional Accessories

| | |
|--------------|--|
| 50761222000E | LGA1151/1155/1156 CPU cooler |
| 72061560000E | 3.5" to 5.25" HDD bracket (Need to buy a pair) |

Dimensions





ASIA

Axiomtek Co., Ltd (HQ)

8F., No.55, Nanxing Road, Xizhi District,
New Taipei City 221, Taiwan

T/ +886-2-8646-2111

F/ +886-2-8646-2555

E/ info@axiomtek.com.tw

Axiomtek Technology (Shen- zhen) Co., Ltd

Unit GH, 6F, Building 7 (Block B), Baoneng
Science and Technology Park, Longhua
Street, Qinghu Community, Qinghu Village,
Longhua District, Shenzhen, China

T/ +86-0755-66865899

F/ +86-0755-66863068

E/ axcn@axiomtek.com.cn

Axiomtek Japan Co., Ltd.

3F, 1-7-11, Higashi Nihonbashi,
Chuo-Ku, Tokyo
103-0004, Japan

T/ +81-(0)3-6206-0308

E/ info@axiomtek.co.jp

Axiomtek (Malaysia) Sdn. Bhd.

No 16, Jalan Tandang 51/205A,
Seksyen 51, 46050 Petaling Jaya, Selangor,
Malaysia

T/ +603-77731203

+603-77724403

E/ info@axiomtek.com.my

Axiomtek (Thailand) Co., Ltd.

7/17 Moo 6, Tumbol Banmai,
Amphur Pakkret, Nonthaburi,
Thailand 11120

T/ +662-573-4725

F/ +662-573-4726

E/ sales@axiomtek.co.th

USA

Axiomtek (U.S. HQ)

18138 Rowland Street, City of Industry,
CA 91748, USA

T/ +1-626-581-3232

F/ +1-626-581-3552

E/ info@axiomtek.com
sales@axiomtek.com

Regional Sales Office

Western Region ext. 116
Northeast/Southeast Region ext. 123
North Central Region ext. 189

T/ +1-626-581-3232

Axiomtek Systems

300 Griffin Brook Drive, Methuen,
MA 01844, USA

T/ +1-978-258-0108

EU

Axiomtek Deutschland GmbH

Elisabeth-Selbert-Straße 21a
40764 Langenfeld, Germany

T/ +49-2173-399360

E/ welcome@axiomtek.de

Axiomtek UK Limited

Peter House, Oxford Street, Greater
Manchester M1 5AN, UK

T/ +44(0)1612093680

E/ info@axiomtek.co.uk

Axiomtek Italia S.r.l.

Via Pavia, 21
20835 Muggiò (MB), Italy

T/ +39-02-664299.1 r.a.

E/ info@axiomtek.it

